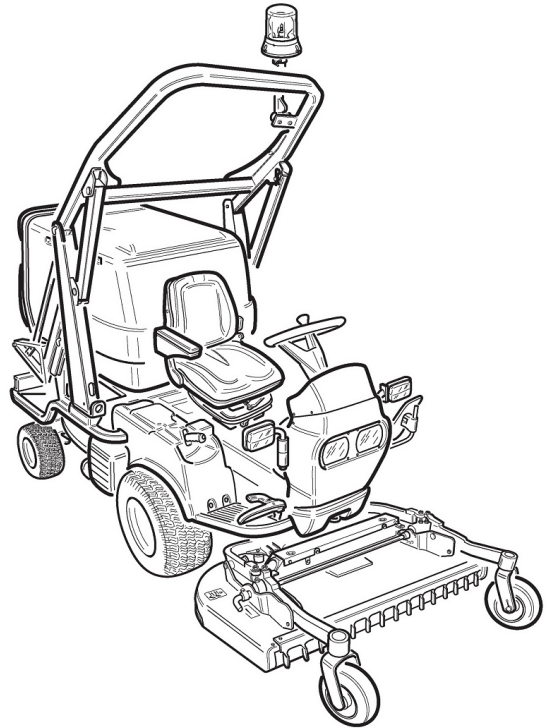


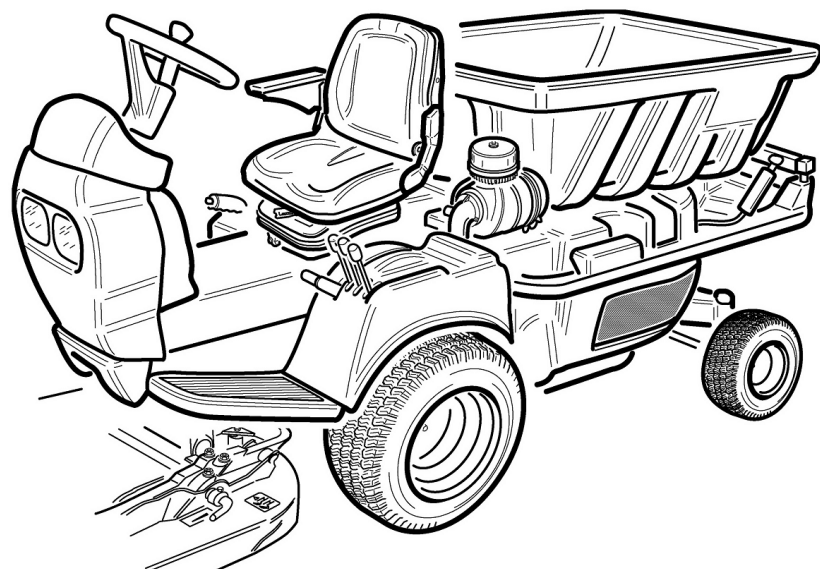


Gianni Ferrari

PG-SR-W



CATALOGO PARTI DI RICAMBIO
CATALOGUE PIECES DETACHEES
SPARE PARTS CATALOGUE
TERSATZTEILKATALOG



MATRICOLA CATALOGO
PG/SR XX0603001XXX - XXXXXXXXXXXXX
PG/SR KUBOTA XX06401807XXX - XXXXXXXXXXXXX

COMPOSIZIONE CODICE D'ORDINE

NUMERO DI MATRICOLA ALFANUMERICO DEL TELAIO + CODICE PARTICOLARE DI RICAMBIO

COMPOSITION OF THE ORDER CODE

ALPHANUMERICAL SERIAL NUMBER OF THE FRAME + CODE NUMBER OF THE SPARE PART

COMPOSITION DU CODE DE L'ORDRE

NUMÉRO DE SÉRIE ALPHANUMÉRIQUE DU CHÂSSIS + CODE AU PIÈCE DE RECHANGE

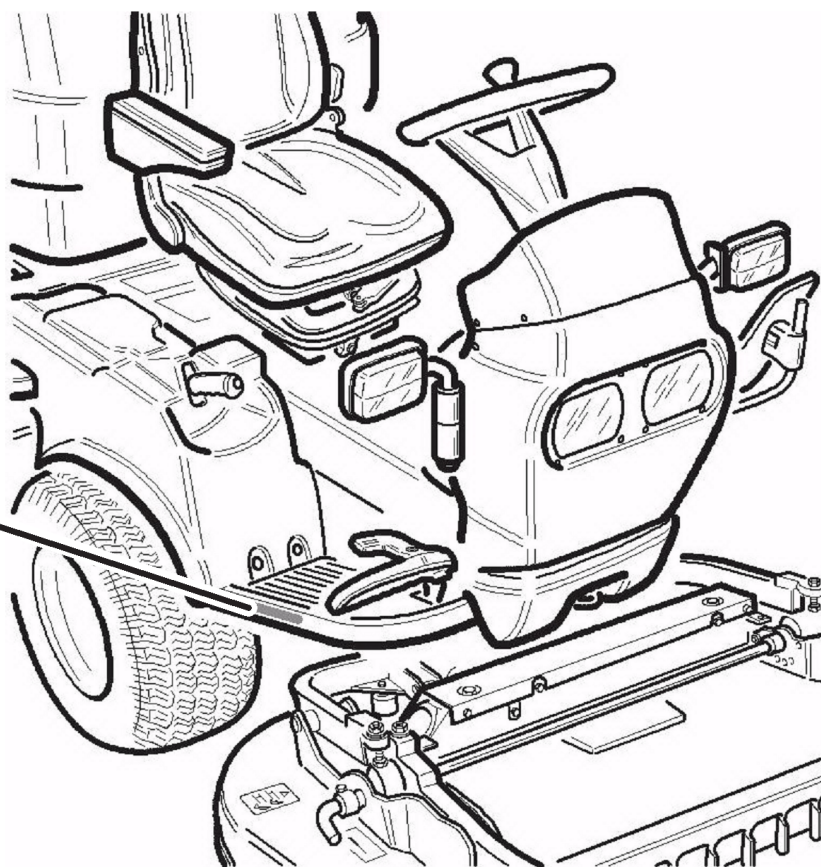
AUFBAU DES BESTELLKODS

ALPHANUMERISCHE SERIENNUMMER DES GERÜSTES + HINWEIS AUF DAS ZUSATZTEIL

NUMERO DI MATRICOLA CATALOGO

NUMERO DI MATRICOLA ALFANUMERICO DEL TELAIO
ALPHANUMERICAL SERIAL NUMBER OF THE FRAME
NUMÉRO DE SÉRIE ALPHANUMÉRIQUE DU CHÂSSIS
ALPHANUMERISCHE SERIENNUMMER DES GERÜSTES

XX9999999XXXX
XX99999999XXXX



INHOUD - PART LIST - TABLES DES MATRIERES - STUCK LISTE

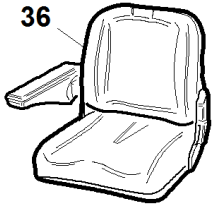
PG/SR 01	ZITTING - STUURWIEL - KAPPEN SIÈGE - VOLANT - CARÈNES SEAT - STEERING WHEEL - HOODS SITZ - LENKRAD - HAUBEN	PG/SR 12	GRAS CONTAINER CONTENEUR CONTAINER BEHÄLTER
PG/SR 02	FRAME - KAPPEN CHÂSSIS - CARÈNES FRAME - HOODS RAHMEN - HAUBEN	PG/SR 13	MONTAGE GRASCOI KUBOTA SUPPORT CONTENEUR CONTAINER SUPPORT BEHÄLTER-HALTERUNG
PG/SR 03	STUURBARE ACHTERAS ESSIEU ARRIÈRE DE DIRECTION REAR STEERING AXLE HINTERACHGELENK	SR 14	BEVESTIGING TRANSPORTBAKJE SUPPORT BENNE BED SUPPORT PRITSCHENHALTERUNG
PG/SR 04	LIFT GRASVANGBAK ÉLÉVATEUR ELEVATOR ELEVATOR	PG/SR 15	ACHTERFRAME EN GEWICHTEN *0603001* CHÂSSIS PERIMETRAL-LESTS *06401807* PERIMETER FRAME-BALLASTS UMFANGSRAHMEN-BALLASTE
PG/SR 05	REM - PEDALEN - PTO - MAAIERHEF FREIN - PÉDALIER - PDF - ELÉVATEUR BRAKE - PEDALS - PTO - WHEEL LIFT BREMSE - PEDALE - GW - RADHEBER	PG/SR 15	ACHTERFRAME EN GEWICHTEN *0610033* CHÂSSIS PERIMETRAL-LESTS *06410709* PERIMETER FRAME-BALLASTS UMFANGSRAHMEN-BALLASTE
PG/SR-W 06	VOOR AS *0805001* ESSIEU AVANT FRONT AXLE VORDERACHSE	PG/SR-W 16	HYDRAULISCHE AANDRIJVING TRANSMISSION HYDROSTATIQUE HYDROSTATIC TRANSMISSION HYDROSTATISCHER ANTRIEB
PG/SR-W 06	VOOR AS *0603001* ESSIEU AVANT *0804049* FRONT AXLE VORDERACHSE	PG/SR-W 17	HYDRAULISCHE AANDRIJVING *0706003* TRANSMISSION HYDROSTATIQUE HYDROSTATIC TRANSMISSION HYDROSTATISCHER ANTRIEB
PG/SR-W 07	VOOR AS ESSIEU AVANT FRONT AXLE VORDERACHSE	PG/SR-W 17	HYDRAULISCHE AANDRIJVING *0603001* TRANSMISSION HYDROSTATIQUE *0706003* HYDROSTATIC TRANSMISSION HYDROSTATISCHER ANTRIEB
PG/SR 08	BLOWER *0707016* TURBINE *07433207* TURBINE TURBINE	PG/SR-W 18	HYDRAULISCH STUUR INSTALLATION HYDRAULIQUE HYDRAULIC INSTALLATION HYDRAULIKANLAGE
PG/SR 08	BLOWER *0612005* TURBINE *06401807* TURBINE *0707015* TURBINE *07433107*	PG/SR 19	HYDRAULISCHE HEF *07421903* INSTALLATION HYDRAULIQUE *0703034* HYDRAULIC INSTALLATION HYDRAULIKANLAGE
PG/SR 08	BLOWER *0603001* TURBINE *0612004* TURBINE TURBINE	PG/SR 19	HYDRAULISCHE HEF *06401807* INSTALLATION HYDRAULIQUE *0603001* HYDRAULIC INSTALLATION *07421803* HYDRAULIKANLAGE *0703033*
PG/SR 09	V-SNAAR AANDRIJVING BELTS TRANSMISSION TRANSMISSION COURROIES RIEMENANTRIEB	PG/SR 20	HYDRAULISCHE KIEPER INSTALLATION HYDRAULIQUE HYDRAULIC INSTALLATION HYDRAULIKANLAGE
PG/SR-W 10	DAIHATSU MOTORDELEN COMPOSANTS MOTEUR DAIHATSU DAIHATSU MOTOR COMPONENTS DAIHATSU MOTOR BAUTEILE	PG/SR 21	HYDRAULISCHE HOOGKIEPER INSTALLATION HYDRAULIQUE ÉLÉVATEUR ELEVATOR HYDRAULIC INSTALLATION ELEVATOR-HYDRAULIKANLAGE
PG/SR 11	TANK - LUCHTFILTER RÉSERVOIR - FILTRE AIR TANK - AIR FILTER TANK - LUFTFILTER	PG/SR-W 22	VOOR WIELEN ROUES AVANT FRONT WHEELS VORDERRÄDER

INHOUD - PART LIST - TABLES DES MATRIERES - STUCK LISTE

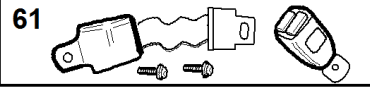
PG/SR	23	ELECTRISCHE DELEN INSTALLATION ÉLECTRIQUE ELECTRIC INSTALLATION ELEKTRISCHE ANLAGE	PG/SR	33	HYDRAULISCH STUUR INSTALLATION HYDRAULIQUE HYDRAULIC INSTALLATION HYDRAULIKANLAGE
PG/SR	23	ELECTRISCHE DELEN INSTALLATION ÉLECTRIQUE ELECTRIC INSTALLATION ELEKTRISCHE ANLAGE	PG/SR	34	WIELEN ROUES WHEELS RÄDER
PG/SR	24	DAK MET BEV. STEUN *1010029* ROPS ROPS ROPS	PG/SR	35	ACHTER AS ESSIEU ARRIÈRE REAR AXLE HINTERACHSE
PG/SR	24	DAK MET BEV. STEUN *06401807* *1010028* ROPS ROPS ROPS	PG/SR	36	KUBOTA MOTOR D722 / Diesel MOTEUR KUBOTA D722 / Diesel KUBOTA MOTOR D722 / Diesel KUBOTA MOTOR D722 / Diesel
PG/SR	25	WEG / STRAAT UITVOERING INSTALLATION ÉLECTRIQUE ROUTIERE ROAD ELECTRIC INSTALLATION ELEKTRISCHE STRASSENANLAGE	PG/SR	37	DAIHATSU MOTOR / 950 G MOTEUR DAIHATSU / 950 G DAIHATSU MOTOR / 950 G DAIHATSU MOTOR / 950 G
PG/SR-W	26	STICKERS AUTOCOLLANTS STICKERS AUFKLEBER	PG/SR	38	DAIHATSU MOTOR / 950 D MOTEUR DAIHATSU / 950 D DAIHATSU MOTOR / 950 D DAIHATSU MOTOR / 950 D
PG/SR	27	REM - PEDALEN - PTO - MAAIERHEF FREIN - PÉDALIER - PDF - ELÉVATEUR BRAKE - PEDALS - PTO - WHEEL LIFT BREMSE - PEDALE - GW - RADHEBER	PG/SR	39	B&S MOTOR / 22PK MOTEUR B&S / 22HP B&S MOTOR / 22HP B&S MOTOR / 22HP
PG/SR - 20"	28	VOOR AS ESSIEU AVANT FRONT AXLE VORDERACHSE	PG/SR	40	ELECTRISCHE DELEN INSTALLATION ÉLECTRIQUE ELECTRIC INSTALLATION ELEKTRISCHE ANLAGE
PG/SR - 23"	29	VOOR AS ESSIEU AVANT FRONT AXLE VORDERACHSE	PG/SR	41	KABINE FRAME CABINE CABINE KABINE
PG/SR	30	VOOR AS *0805001* *0844570454* ESSIEU AVANT FRONT AXLE VORDERACHSE	PG/SR	42	KABINE VOORRUIT CABINE CABINE KABINE
PG/SR	30	VOOR AS *0603001* *0804049* *06401807* ESSIEU AVANT FRONT AXLE VORDERACHSE	PG/SR	43	KABINE RUITEN CABINE CABINE KABINE
PG/SR	31	SNAAR SPANNER *07436010* TENDEUR DE COURROIE BDU BELT TIGHTENER BDU RIEMENSPANNER BDU	PG/SR	44	KABINE DEUR CABINE CABINE KABINE
PG/SR	31	SNAAR SPANNER *06401807* *07435910* TENDEUR DE COURROIE BDU BELT TIGHTENER BDU RIEMENSPANNER BDU	PG/SR	45	KABINE DAK CABINE CABINE KABINE
PG/SR	32	HYDRAULISCHE AANDRIJVING TRANSMISSION HYDROSTATIQUE HYDROSTATIC TRANSMISSION HYDROSTATISCHER ANTRIEB	PG/SR	46	KUBOTA MOTOR D902 / Diesel MOTEUR KUBOTA D902 / Diesel KUBOTA MOTOR D902 / Diesel KUBOTA MOTOR D902 / Diesel

Daihatsu
48-58-Kubota

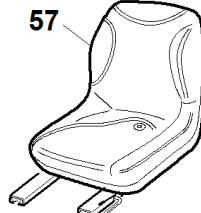
PG/SR



36

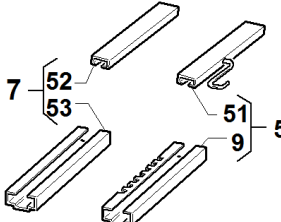


61

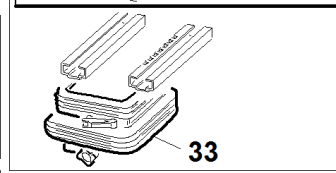
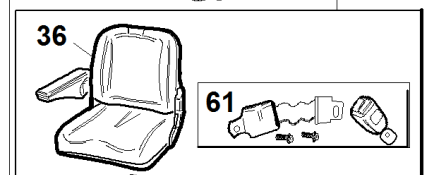
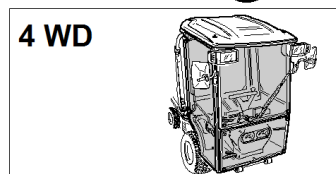
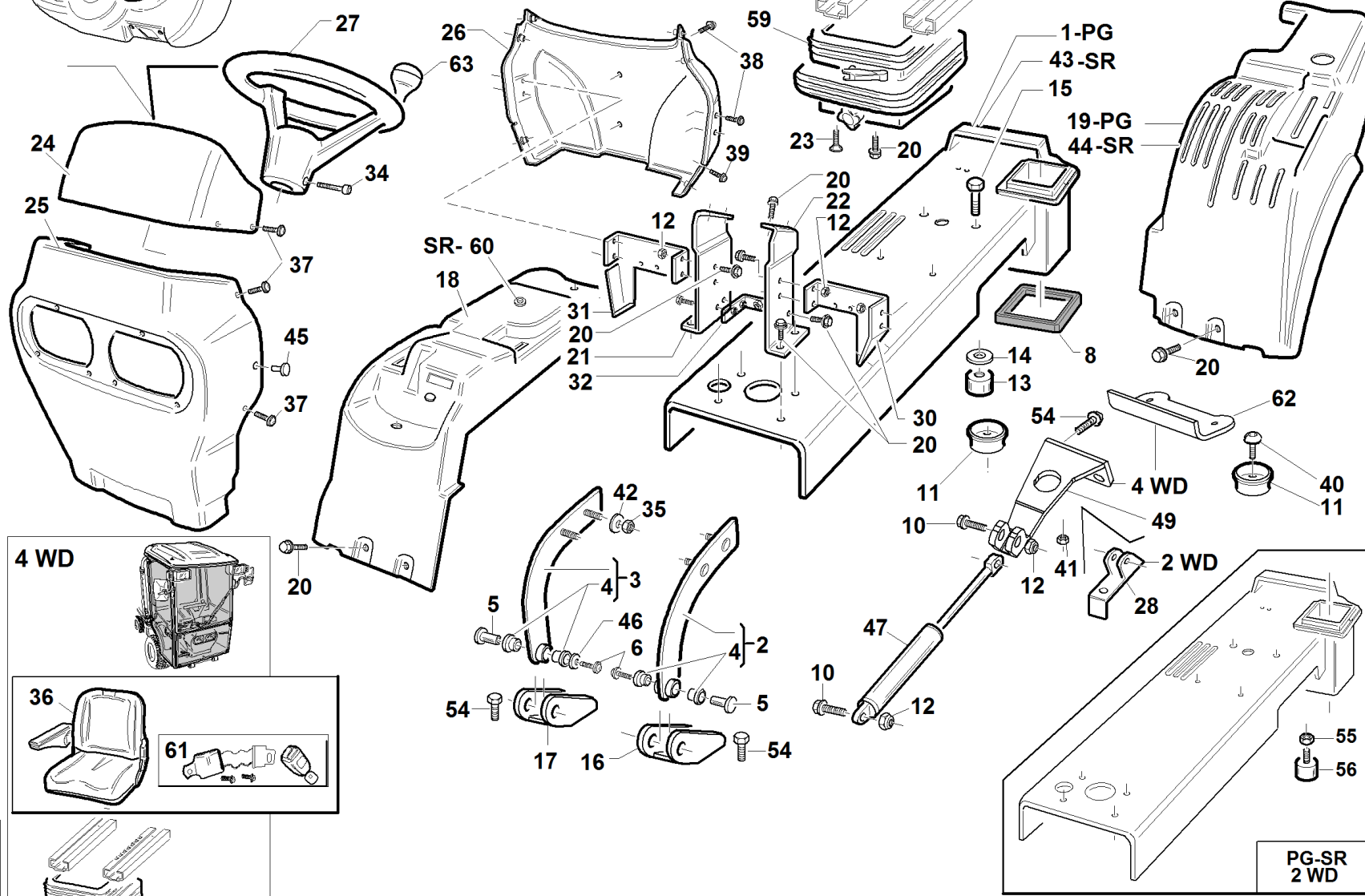


57

Solo per macchine con Rops
Only for a machine with Rops
Seulement pour machine avec Rops
Nur für Maschine mit Rops



7 52 53 51 9 50



PG-SR
2 WD

S/N
→1009023

REF.01 - 00555501055

#	P/N	DESCRIPTION	PG/SR
1	95049480000	COFANO PG TURB.D=300 VERN.	
2	95301270000	SUPPORTO COFANO SX PREMONTATO	
3	95301260000	SUPPORTO COFANO DX PREMONTATO	
4	00111530003	BOCCOLA FRIMET TFF 14X16 L=9	
5	94500000007	PERNO FISSAGGIO RIBALTAMENTO CESTO ZNT	
6	00111450014	VITE F/R TBCF M6X12 ZNT BIANCA	
7	00777850005	COPPIA GUIDA DX-SOLO RICAMBI-	
8	95030300002	BORDINO COPRI CARTER TUBO R.L=540	
9	00777850003	GUIDA INFERIORE DX	
10	00111450002	VITE F/R M8X30 8.8 LISCIA ZNT BIAN.	
11	95301000001	CENTRAGGIO ANTIVIBRANTE	
12	00111000071	DADO AUTOB.UNI 7473 M8 6S	
13	00111970038	TAMPONE ANTIVIB.M10 FEMM. 0113/0053	
14	00111000070	ROSETTA P.11X30X2,5 ZNT	
15	00111300028	VITE TE UNI 5739 M10X14 8.8 ZNT	
16	95301000009	FORCELLA SX CERNIERA COFANO ZNT	
17	95301000010	FORCELLA DX CERNIERA COFANO ZNT	
18	95200000006	PARAFANGO DX PG - SR	
19	95302000001	PARAFANGO SX PG	
20	00111450003	VITE F/R M8X20 8.8 LISCIA ZNT BIAN.	
21	95301000016	LAMIERA DX PIANTONE STERZO ZNT	
22	95301000015	LAMIERA SX PIANTONE STERZO ZNT	
23	00111000186	VITE TSPEI M8X20 ZNT	
24	95301000026	CRUSCOTTO (ABS)	
25	95301290001	MUSETTO ANTERIORE PG/SR	
26	95049540000	MUSETTO POSTERIORE PG PREMONTATO	
27	00111970209	VOLANTE CON BOCCOLA Ø18	
28	95200000004	STAFFA SUPPORTO MOLLA GAS	
30	95301000008	SUPPORTO SX FANALE ANTERIORE ZNT	
31	95301000007	SUPPORTO DX FANALE ANTERIORE ZNT	
32	95301230000	RINFORZO PIANTONE PG/SR COMPLETO ZNT	
33	00777850021	MOLLEGGIO SEDILE+GUIDE INFERIORI	
34	00111400015	VITE TCEI.M6X40 8.8 TUTTO FILET.ZNT	
35	00111000095	DADO AUTOB.UNI 7474 M8 6S	
36	00777850016	SEDILE COMFORT PG	
37	00111450017	VITE F/R TBEI M4X18 ZNT BIANCA	
38	00111450015	VITE F/R TBCE M8X30 ZNT	
39	00111450016	VITE F/R TBCE M6X25 ZNT	
40	00111450012	VITE F/R TBCF M6X20 ZNT BIANCA	
41	00111000166	DADO AUTOB.UNI 7473 M6 6S	
42	00111000061	ROSETTA Ø 8,4X24 SP.2 ZNT	
43	95207250000	COFANO SR COMPLETO VERNICIATO	
44	95310000001	PARAFANGO SX SR	
45	00111970095	BOTTONE	
46	00111000037	ROSETTA P.6,6X18X2 ZNT UNI 6593	
47	00111990106	MOLLA A GAS 360N	
48	95133100001	LAMIERA CRUSCOTTO PG 180 D	
49	95303000074	SUPPORTO MOLLA GAS ZNT	
50	00777850023	COPPIA GUIDA SX-SOLO RICAMBI-	
51	00777850022	GUIDA SUP.SX.CON LEVA-SOLO RICAMBI-	
52	00777850010	GUIDA SUPERIORE DX -SOLO RICAMBI-	
53	00777850004	GUIDA INFERIORE SX	
54	00111000059	VITE F/R M8X14 LISCIA ZNT BIANCA	
55	00111150002	DADO UNI 5588 M10 6S ZNT	
56	00111970005	TAMPONE ANTIVIBRANT.M10	
57	00777850041	SEDILE PG	
58	95124240001	LAMIERA CRUSCOTTO PG 200 D	
59	00777850040	MOLLEGGIO SEDILE+GUIDE INFERIORI	
60	00111970176	PASSACAVO D20 IN VITON CIECO NERO	

#

P/N

DESCRIPTION

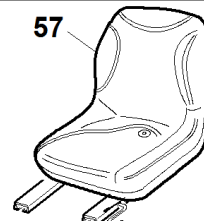
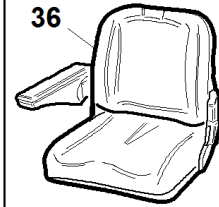
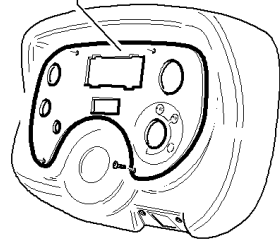
PG/SR

REF. 01 - 00555501055

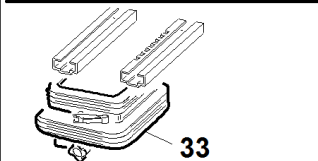
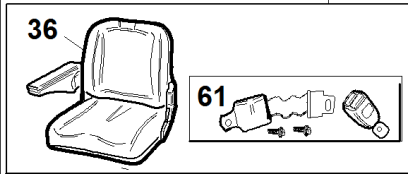
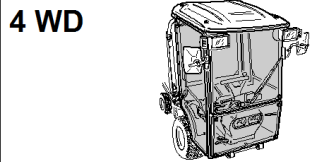
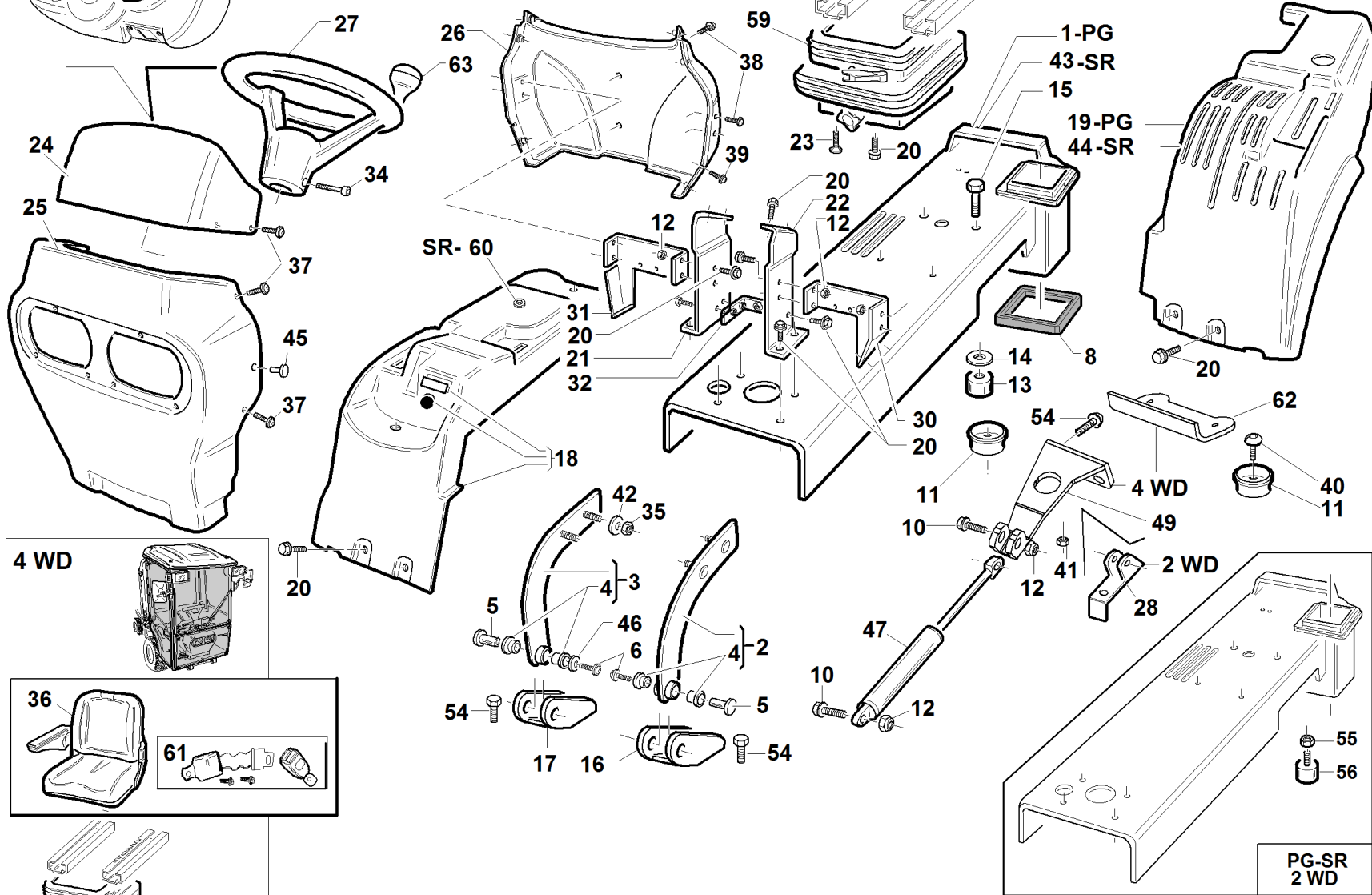
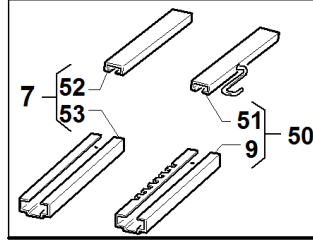
61	00777850019	CINTURA MINI ARROTOLATORE		
62	95303000078	SUPPORTO COFANO ZNT		
63	00111970217	POMELLO VOLANTE -VOL33018P-		

PG/SR

Daihatsu
48-58-Kubota



Solo per macchine con Rops
Only for a machine with Rops
Seulement pour machine avec Rops
Nur für Maschine mit Rops



S/N

→ 1002028 ÷ 1009022 ←

REF.01 - 00555501054

**PG-SR
2 WD**

#	P/N	DESCRIPTION	PG/SR	REF. 01 - 00555501054
1	95049480000	COFANO PG TURB.D=300 VERN.		
2	95301270000	SUPPORTO COFANO SX PREMONTATO		
3	95301260000	SUPPORTO COFANO DX PREMONTATO		
4	00111530003	BOCCOLA FRIMET TFF 14X16 L=9		
5	94500000007	PERNO FISSAGGIO RIBALTAMENTO CESTO ZNT		
6	00111450014	VITE F/R TBCF M6X12 ZNT BIANCA		
7	00777850005	COPPIA GUIDA DX-SOLO RICAMBI-		
8	95030300002	BORDINO COPRI CARTER TUBO R.L=540		
9	00777850003	GUIDA INFERIORE DX		
10	00111450002	VITE F/R M8X30 8.8 LISCIA ZNT BIAN.		
11	95301000001	CENTRAGGIO ANTIVIBRANTE		
12	00111000071	DADO AUTOB.UNI 7473 M8 6S		
13	00111970038	TAMPONE ANTIVIB.M10 FEMM. 0113/0053		
14	00111000070	ROSETTA P.11X30X2,5 ZNT		
15	00111300028	VITE TE UNI 5739 M10X14 8.8 ZNT		
16	95301000009	FORCELLA SX CERNIERA COFANO ZNT		
17	95301000010	FORCELLA DX CERNIERA COFANO ZNT		
18	95598650000	KIT CARENA DX PG-SR + TAPPI		
19	95302000001	PARAFANGO SX PG		
20	00111450003	VITE F/R M8X20 8.8 LISCIA ZNT BIAN.		
21	95301000016	LAMIERA DX PIANTONE STERZO ZNT		
22	95301000015	LAMIERA SX PIANTONE STERZO ZNT		
23	00111000186	VITE TSPEI M8X20 ZNT		
24	95301000026	CRUSCOTTO (ABS)		
25	95301290001	MUSETTO ANTERIORE PG/SR		
26	95049540000	MUSETTO POSTERIORE PG PREMONTATO		
27	00111970209	VOLANTE CON BOCCOLA Ø18		
28	95200000004	STAFFA SUPPORTO MOLLA GAS		
30	95301000008	SUPPORTO SX FANALE ANTERIORE ZNT		
31	95301000007	SUPPORTO DX FANALE ANTERIORE ZNT		
32	95301230000	RINFORZO PIANTONE PG/SR COMPLETO ZNT		
33	00777850021	MOLLEGGIO SEDILE+GUIDE INFERIORI		
34	00111400015	VITE TCEI.M6X40 8.8 TUTTO FILET.ZNT		
35	00111000095	DADO AUTOB.UNI 7474 M8 6S		
36	00777850016	SEDILE COMFORT PG		
37	00111450017	VITE F/R TBEI M4X18 ZNT BIANCA		
38	00111450015	VITE F/R TBCE M8X30 ZNT		
39	00111450016	VITE F/R TBCE M6X25 ZNT		
40	00111450012	VITE F/R TBCF M6X20 ZNT BIANCA		
41	00111000166	DADO AUTOB.UNI 7473 M6 6S		
42	00111000061	ROSETTA Ø 8,4X24 SP.2 ZNT		
43	95207250000	COFANO SR COMPLETO VERNICIATO		
44	95310000001	PARAFANGO SX SR		
45	00111970095	BOTTONE		
46	00111000037	ROSETTA P.6,6X18X2 ZNT UNI 6593		
47	00111990106	MOLLA A GAS 360N		
48	95133100001	LAMIERA CRUSCOTTO PG 180 D		
49	95303000074	SUPPORTO MOLLA GAS ZNT		
50	00777850023	COPPIA GUIDA SX-SOLO RICAMBI-		
51	00777850022	GUIDA SUP.SX.CON LEVA-SOLO RICAMBI-		
52	00777850010	GUIDA SUPERIORE DX -SOLO RICAMBI-		
53	00777850004	GUIDA INFERIORE SX		
54	00111000059	VITE F/R M8X14 LISCIA ZNT BIANCA		
55	00111150002	DADO UNI 5588 M10 6S ZNT		
56	00111970005	TAMPONE ANTIVIBRANT.M10		
57	00777850041	SEDILE PG		
58	95124240001	LAMIERA CRUSCOTTO PG 200 D		
59	00777850040	MOLLEGGIO SEDILE+GUIDE INFERIORI		
60	00111970176	PASSACAVO D20 IN VITON CIECO NERO		

#

P/N

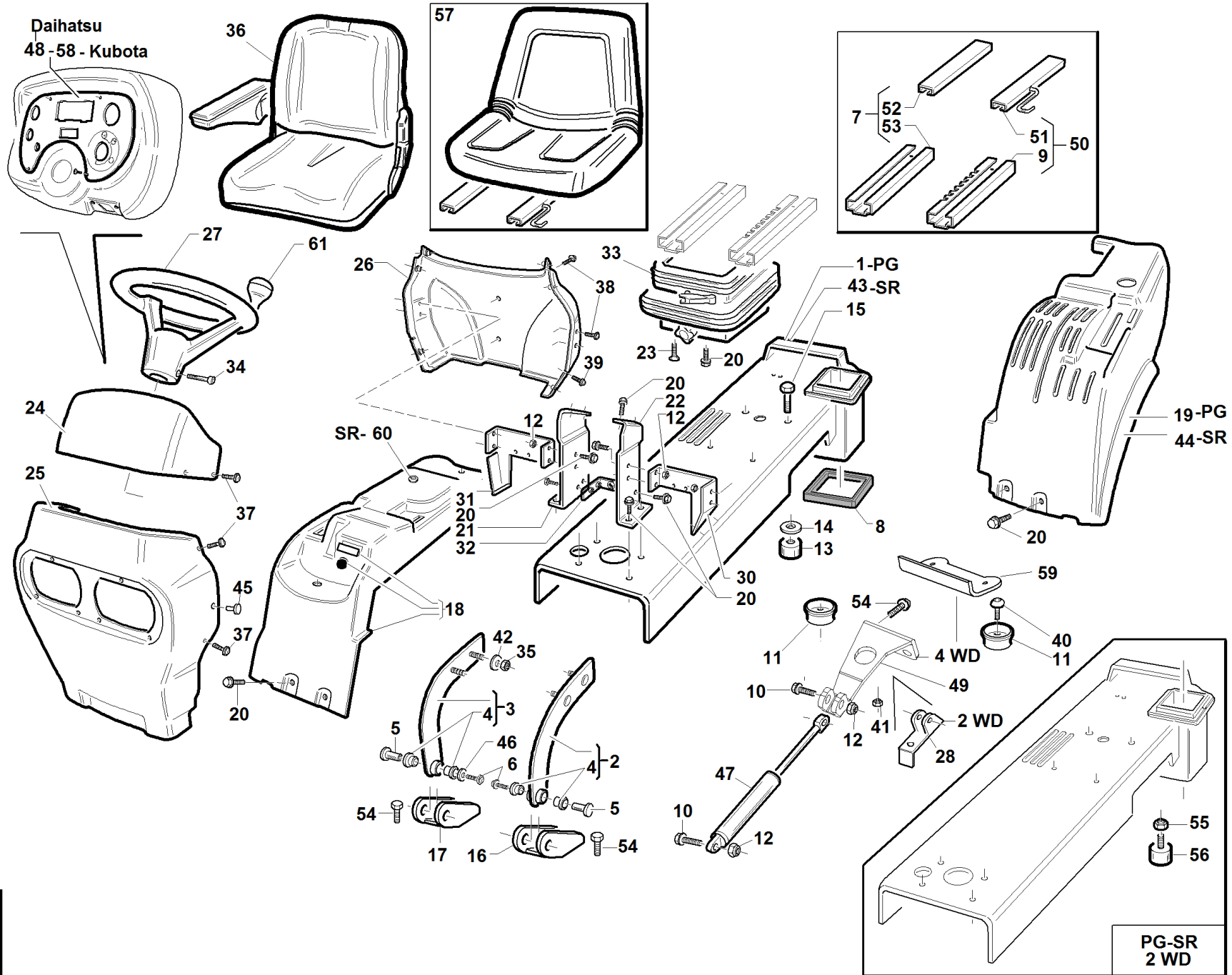
DESCRIPTION

PG/SR

REF. 01 - 00555501054

61	00777850019	CINTURA MINI ARROTOLATORE		
62	95303000078	SUPPORTO COFANO ZNT		
63	00111970217	POMELLO VOLANTE -VOL33018P-		

PG/SR



S/N

→ **0910017 ÷ 1002027** ←

REF.01 - 00555501051

#	P/N	DESCRIPTION	PG/SR	REF. 01 - 00555501051
1	95049480000	COFANO PG TURB.D=300 VERN.		
2	95301270000	SUPPORTO COFANO SX PREMONTATO		
3	95301260000	SUPPORTO COFANO DX PREMONTATO		
4	00111530003	BOCCOLA FRIMET TFF 14X16 L=9		
5	94500000007	PERNO FISSAGGIO RIBALTAMENTO CESTO ZNT		
6	00111450014	VITE F/R TBCF M6X12 ZNT BIANCA		
7	00777850005	COPPIA GUIDA DX-SOLO RICAMBI-		
8	95030300002	BORDINO COPRI CARTER TUBO R.L=540		
9	00777850003	GUIDA INFERIORE DX		
10	00111450002	VITE F/R M8X30 8.8 LISCIA ZNT BIAN.		
11	95301000001	CENTRAGGIO ANTIVIBRANTE		
12	00111000071	DADO AUTOB.UNI 7473 M8 6S		
13	00111970038	TAMPONE ANTIVIB.M10 FEMM. 0113/0053		
14	00111000070	ROSETTA P.11X30X2,5 ZNT		
15	00111300028	VITE TE UNI 5739 M10X14 8.8 ZNT		
16	95301000009	FORCELLA SX CERNIERA COFANO ZNT		
17	95301000010	FORCELLA DX CERNIERA COFANO ZNT		
18	95598650000	KIT CARENA DX PG-SR + TAPPI		
19	95302000001	PARAFANGO SX PG		
20	00111450003	VITE F/R M8X20 8.8 LISCIA ZNT BIAN.		
21	95301000016	LAMIERA DX PIANTONE STERZO ZNT		
22	95301000015	LAMIERA SX PIANTONE STERZO ZNT		
23	00111000186	VITE TSPEI M8X20 ZNT		
24	95301000026	CRUSCOTTO (ABS)		
25	95301290001	MUSETTO ANTERIORE PG/SR		
26	95049540000	MUSETTO POSTERIORE PG PREMONTATO		
27	00111970209	VOLANTE CON BOCCOLA Ø18		
28	95200000004	STAFFA SUPPORTO MOLLA GAS		
30	95301000008	SUPPORTO SX FANALE ANTERIORE ZNT		
31	95301000007	SUPPORTO DX FANALE ANTERIORE ZNT		
32	95301230000	RINFORZO PIANTONE PG/SR COMPLETO ZNT		
33	00777850021	MOLLEGGIO SEDILE+GUIDE INFERIORI		
34	00111400015	VITE TCEI.M6X40 8.8 TUTTO FILET.ZNT		
35	00111000095	DADO AUTOB.UNI 7474 M8 6S		
36	00777850016	SEDILE COMFORT PG		
37	00111450017	VITE F/R TBEI M4X18 ZNT BIANCA		
38	00111450015	VITE F/R TBCE M8X30 ZNT		
39	00111450016	VITE F/R TBCE M6X25 ZNT		
40	00111450012	VITE F/R TBCF M6X20 ZNT BIANCA		
41	00111000166	DADO AUTOB.UNI 7473 M6 6S		
42	00111000061	ROSETTA Ø 8,4X24 SP.2 ZNT		
43	95207250000	COFANO SR COMPLETO VERNICIATO		
44	95310000001	PARAFANGO SX SR		
45	00111970095	BOTTONE		
46	00111000037	ROSETTA P.6,6X18X2 ZNT UNI 6593		
47	00111990106	MOLLA A GAS 360N		
48	95133100001	LAMIERA CRUSCOTTO PG 180 D		
49	95303000074	SUPPORTO MOLLA GAS ZNT		
50	00777850023	COPPIA GUIDA SX-SOLO RICAMBI-		
51	00777850022	GUIDA SUP.SX.CON LEVA-SOLO RICAMBI-		
52	00777850010	GUIDA SUPERIORE DX -SOLO RICAMBI-		
53	00777850004	GUIDA INFERIORE SX		
54	00111000059	VITE F/R M8X14 LISCIA ZNT BIANCA		
55	00111150002	DADO UNI 5588 M10 6S ZNT		
56	00111970005	TAMPONE ANTIVIBRANT.M10		
57	00777850020	SEDILE SEAT OTTO+GUIDE SUPER.+MICRO		
58	95124240001	LAMIERA CRUSCOTTO PG 200 D		
59	95303000078	SUPPORTO COFANO ZNT		
60	00111970176	PASSACAVO D20 IN VITON CIECO NERO		

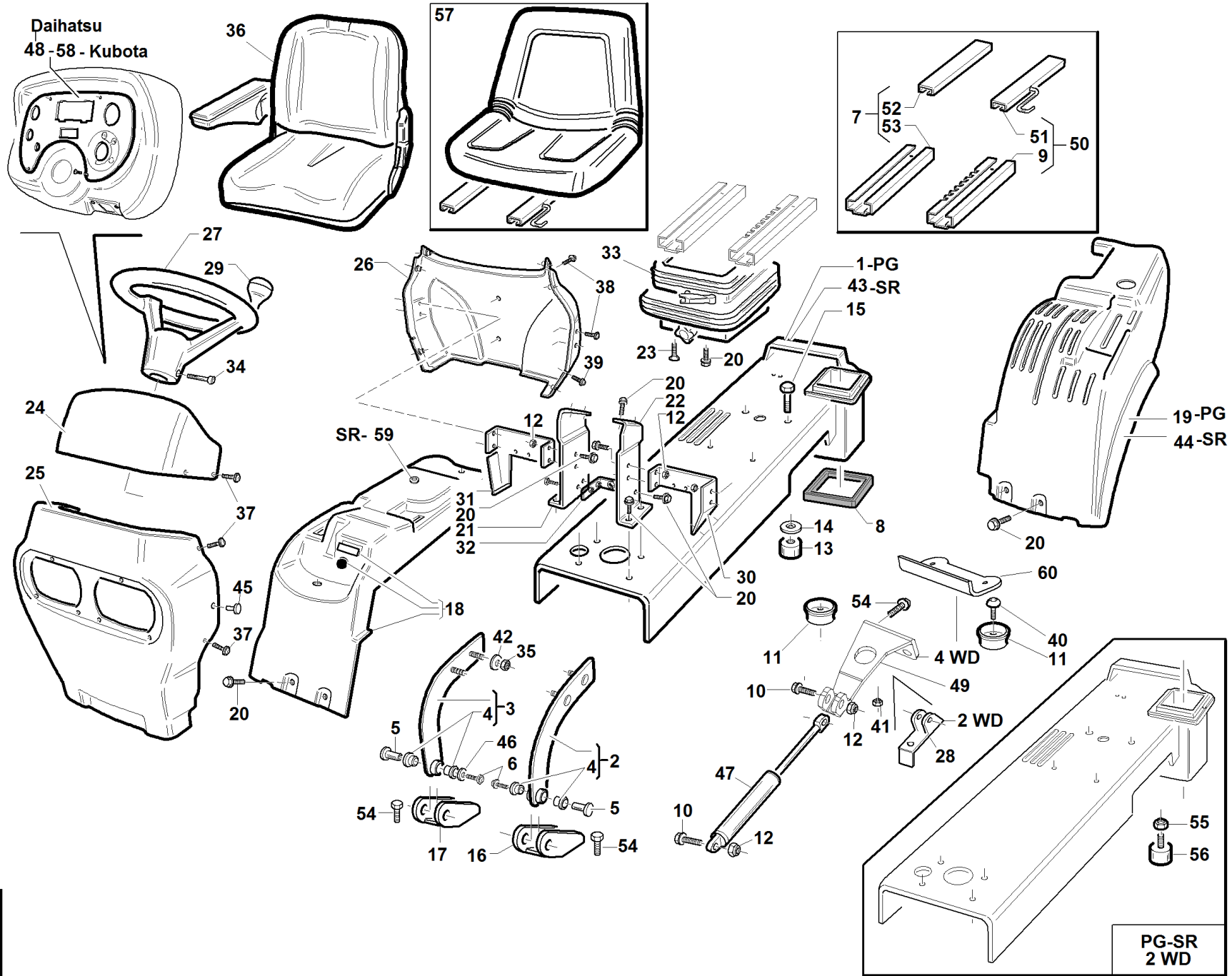
#**P/N****DESCRIPTION****PG/SR****REF. 01 - 00555501051**

61

00111970217

POMELLO VOLANTE -VOL33018P-

PG/SR



S/N

→ **0706007 ÷ 0910016** ←

REF.01 - 00555501050

#	P/N	DESCRIPTION	PG/SR
1	95049480000	COFANO PG TURB.D=300 VERN.	
2	95301270000	SUPPORTO COFANO SX PREMONTATO	
3	95301260000	SUPPORTO COFANO DX PREMONTATO	
4	00111530003	BOCCOLA FRIMET TFF 14X16 L=9	
5	94500000007	PERNO FISSAGGIO RIBALTAMENTO CESTO ZNT	
6	00111450014	VITE F/R TBCF M6X12 ZNT BIANCA	
7	00777850005	COPPIA GUIDA DX-SOLO RICAMBI-	
8	95030300002	BORDINO COPRI CARTER TUBO R.L=540	
9	00777850003	GUIDA INFERIORE DX	
10	00111450002	VITE F/R M8X30 8.8 LISCIA ZNT BIAN.	
11	95301000001	CENTRAGGIO ANTIVIBRANTE	
12	00111000071	DADO AUTOB.UNI 7473 M8 6S	
13	00111970038	TAMPONE ANTIVIB.M10 FEMM. 0113/0053	
14	00111000070	ROSETTA P.11X30X2,5 ZNT	
15	00111300028	VITE TE UNI 5739 M10X14 8.8 ZNT	
16	95301000009	FORCELLA SX CERNIERA COFANO ZNT	
17	95301000010	FORCELLA DX CERNIERA COFANO ZNT	
18	95598650000	KIT CARENA DX PG-SR + TAPPI	
19	95302000001	PARAFANGO SX PG	
20	00111450003	VITE F/R M8X20 8.8 LISCIA ZNT BIAN.	
21	95301000016	LAMIERA DX PIANTONE STERZO ZNT	
22	95301000015	LAMIERA SX PIANTONE STERZO ZNT	
23	00111000186	VITE TSPEI M8X20 ZNT	
24	95301000026	CRUSCOTTO (ABS)	
25	95301290001	MUSETTO ANTERIORE PG/SR	
26	95049540000	MUSETTO POSTERIORE PG PREMONTATO	
27	00111970182	VOLANTE(VOL2000P)CON BOCCOLA D=18	
28	95200000004	STAFFA SUPPORTO MOLLA GAS	
29	00111970145	POMELLO VOLANTE NEW (VOL 2000-P)	
30	95301000008	SUPPORTO SX FANALE ANTERIORE ZNT	
31	95301000007	SUPPORTO DX FANALE ANTERIORE ZNT	
32	95301230000	RINFORZO PIANTONE PG/SR COMPLETO ZNT	
33	00777850021	MOLLEGGIO SEDILE+GUIDE INFERIORI	
34	00111400015	VITE TCEI.M6X40 8.8 TUTTO FILET.ZNT	
35	00111000095	DADO AUTOB.UNI 7474 M8 6S	
36	00777850016	SEDILE COMFORT PG	
37	00111450017	VITE F/R TBEI M4X18 ZNT BIANCA	
38	00111450015	VITE F/R TBCE M8X30 ZNT	
39	00111450016	VITE F/R TBCE M6X25 ZNT	
40	00111450012	VITE F/R TBCF M6X20 ZNT BIANCA	
41	00111000166	DADO AUTOB.UNI 7473 M6 6S	
42	00111000061	ROSETTA Ø 8,4X24 SP.2 ZNT	
43	95207250000	COFANO SR COMPLETO VERNICIATO	
44	95310000001	PARAFANGO SX SR	
45	00111970095	BOTTONE	
46	00111000037	ROSETTA P.6,6X18X2 ZNT UNI 6593	
47	00111990106	MOLLA A GAS 360N	
48	95133100001	LAMIERA CRUSCOTTO PG 180 D	
49	95303000074	SUPPORTO MOLLA GAS ZNT	
50	00777850023	COPPIA GUIDA SX-SOLO RICAMBI-	
51	00777850022	GUIDA SUP.SX.CON LEVA-SOLO RICAMBI-	
52	00777850010	GUIDA SUPERIORE DX -SOLO RICAMBI-	
53	00777850004	GUIDA INFERIORE SX	
54	00111000059	VITE F/R M8X14 LISCIA ZNT BIANCA	
55	00111150002	DADO UNI 5588 M10 6S ZNT	
56	00111970005	TAMPONE ANTIVIBRANT.M10	
57	00777850020	SEDILE SEAT OTTO+GUIDE SUPER.+MICRO	
58	95124240001	LAMIERA CRUSCOTTO PG 200 D	
59	00111970176	PASSACAVO D20 IN VITON CIECO NERO	

#**P/N****DESCRIPTION****PG/SR****REF. 01 - 00555501050**

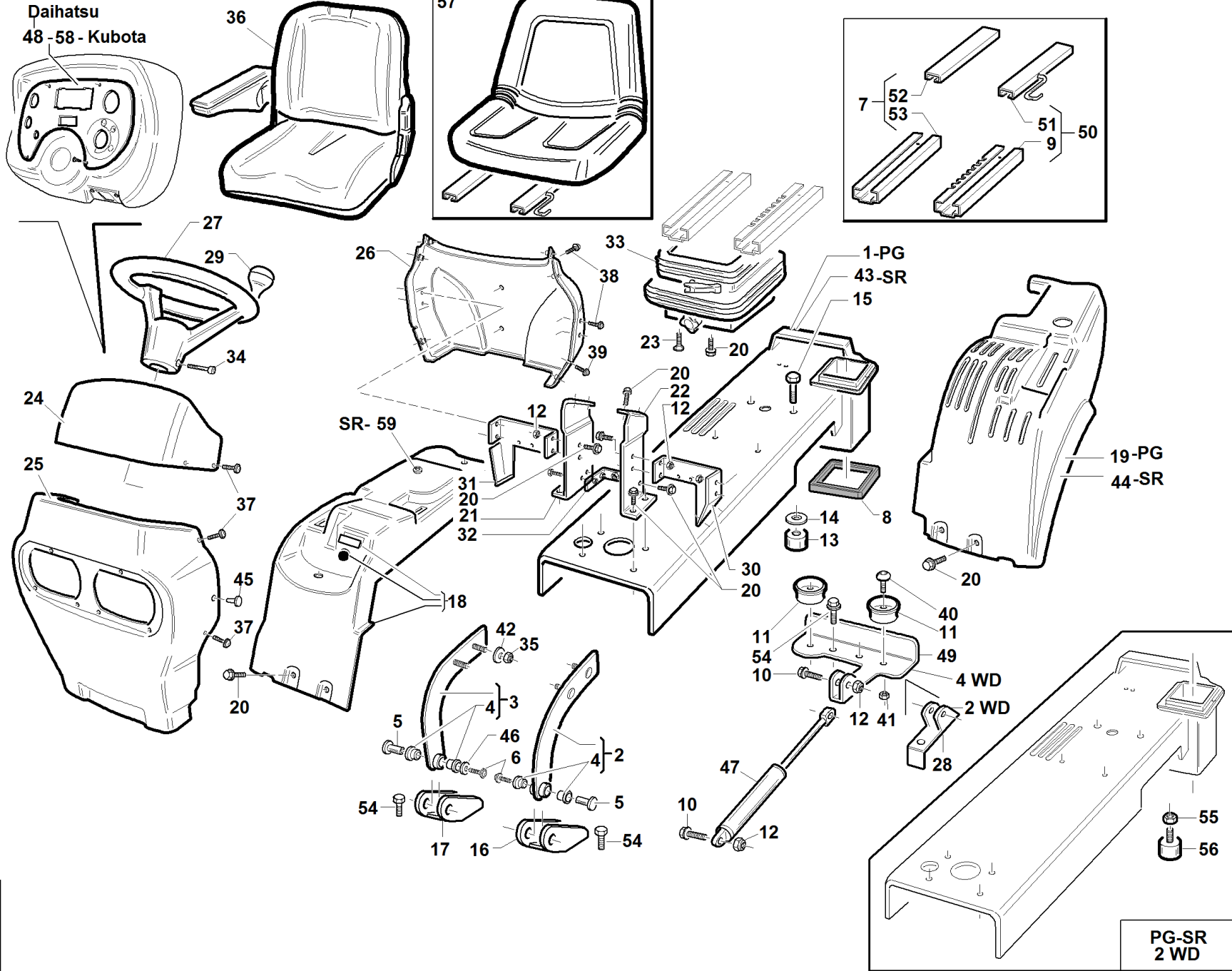
60

95303000078

SUPPORTO COFANO ZNT

PG/SR

Daihatsu
48-58-Kubota



S/N

→ **0603001 ÷ 0706003** ←

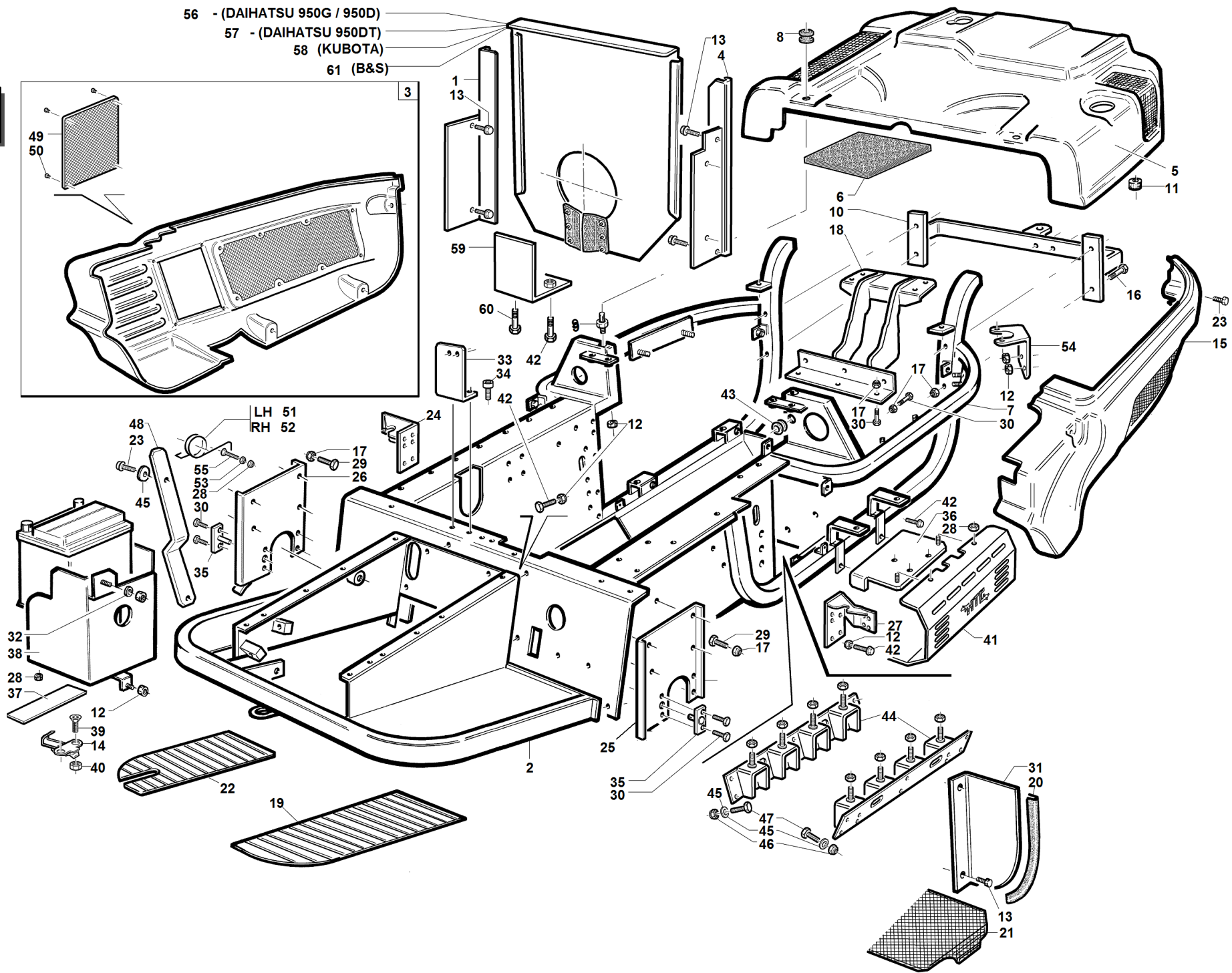
REF.01 - 00555501001

**PG-SR
2 WD**

#	P/N	DESCRIPTION	PG/SR
1	95049480000	COFANO PG TURB.D=300 VERN.	
2	95301270000	SUPPORTO COFANO SX PREMONTATO	
3	95301260000	SUPPORTO COFANO DX PREMONTATO	
4	00111530003	BOCCOLA FRIMET TFF 14X16 L=9	
5	94500000007	PERNO FISSAGGIO RIBALTAMENTO CESTO ZNT	
6	00111450014	VITE F/R TBCF M6X12 ZNT BIANCA	
7	00777850005	COPPIA GUIDA DX-SOLO RICAMBI-	
8	95030300002	BORDINO COPRI CARTER TUBO R.L=540	
9	00777850003	GUIDA INFERIORE DX	
10	00111450002	VITE F/R M8X30 8.8 LISCIA ZNT BIAN.	
11	95301000001	CENTRAGGIO ANTIVIBRANTE	
12	00111000071	DADO AUTOB.UNI 7473 M8 6S	
13	00111970038	TAMPONE ANTIVIB.M10 FEMM. 0113/0053	
14	00111000070	ROSETTA P.11X30X2,5 ZNT	
15	00111300028	VITE TE UNI 5739 M10X14 8.8 ZNT	
16	95301000009	FORCELLA SX CERNIERA COFANO ZNT	
17	95301000010	FORCELLA DX CERNIERA COFANO ZNT	
18	95598650000	KIT CARENA DX PG-SR + TAPPI	
19	95302000001	PARAFANGO SX PG	
20	00111450003	VITE F/R M8X20 8.8 LISCIA ZNT BIAN.	
21	95301000016	LAMIERA DX PIANTONE STERZO ZNT	
22	95301000015	LAMIERA SX PIANTONE STERZO ZNT	
23	00111000186	VITE TSPEI M8X20 ZNT	
24	95301000026	CRUSCOTTO (ABS)	
25	95301290001	MUSETTO ANTERIORE PG/SR	
26	95049540000	MUSETTO POSTERIORE PG PREMONTATO	
27	00111970182	VOLANTE(VOL2000P)CON BOCCOLA D=18	
28	95200000004	STAFFA SUPPORTO MOLLA GAS	
29	00111970145	POMELLO VOLANTE NEW (VOL 2000-P)	
30	95301000008	SUPPORTO SX FANALE ANTERIORE ZNT	
31	95301000007	SUPPORTO DX FANALE ANTERIORE ZNT	
32	95301230000	RINFORZO PIANTONE PG/SR COMPLETO ZNT	
33	00777850021	MOLLEGGIO SEDILE+GUIDE INFERIORI	
34	00111400015	VITE TCEI.M6X40 8.8 TUTTO FILET.ZNT	
35	00111000095	DADO AUTOB.UNI 7474 M8 6S	
36	00777850016	SEDILE COMFORT PG	
37	00111450017	VITE F/R TBEI M4X18 ZNT BIANCA	
38	00111450015	VITE F/R TBCE M8X30 ZNT	
39	00111450016	VITE F/R TBCE M6X25 ZNT	
40	00111450012	VITE F/R TBCF M6X20 ZNT BIANCA	
41	00111000166	DADO AUTOB.UNI 7473 M6 6S	
42	00111000061	ROSETTA Ø 8,4X24 SP.2 ZNT	
43	95207250000	COFANO SR COMPLETO VERNICIATO	
44	95310000001	PARAFANGO SX SR	
45	00111970095	BOTTONE	
46	00111000037	ROSETTA P.6,6X18X2 ZNT UNI 6593	
47	00111990106	MOLLA A GAS 360N	
48	95133100001	LAMIERA CRUSCOTTO PG 180 D	
49	95303000001	SUPPORTO COFANO ZNT	
50	00777850023	COPPIA GUIDA SX-SOLO RICAMBI-	
51	00777850022	GUIDA SUP.SX.CON LEVA-SOLO RICAMBI-	
52	00777850010	GUIDA SUPERIORE DX -SOLO RICAMBI-	
53	00777850004	GUIDA INFERIORE SX	
54	00111000059	VITE F/R M8X14 LISCIA ZNT BIANCA	
55	00111150002	DADO UNI 5588 M10 6S ZNT	
56	00111970005	TAMPONE ANTIVIBRANT.M10	
57	00777850020	SEDILE SEAT OTTO+GUIDE SUPER.+MICRO	
58	95124240001	LAMIERA CRUSCOTTO PG 200 D	
59	00111970176	PASSACAVO D20 IN VITON CIECO NERO	

56 - (DAIHATSU 950G / 950D)
 57 - (DAIHATSU 950DT)
 58 (KUBOTA)
 61 (B&S)

PG/SR



#	P/N	DESCRIPTION	PG/SR
1	PC95049280000	CANALINO DX COMPLETO - CATAFORESI -	
2	95301130000	TELAIO ANTERIORE COMPLETO VERNICIATO	
3	95301340000	CARENA MOTORE DX PREMONTATA PG-SR	
4	PC95049290000	CANALINO SX COMPLETO - CATAFORESI -	
5	95303240000	COPERCHIO MOTORE PG/SR PREMONTATO	
6	95534000001	PANNELLO FONOASSORBENTE -250 x 165-	
7	95301190000	TELAIO PG/SR COMPLETO VERNICIATO	
8	00111970066	PASSACAVO D.I. 9 (90136)	
9	95048100011	PERNO RITEGNO COFANO	
10	95301180000	SUPPORTO PERIMETRALE COMPLETO VERNICIATO	
11	00111970118	TAMPONE ANTIVIBRANTE M6 FEMM H=31	
12	00111000071	DADO AUTOB.UNI 7473 M8 6S	
13	00111450005	VITE F/R M6X16 LISCIA DACROMET	
14	00111990038	CHIUSURA	
15	95200160000	CARENA MOTORE SX PREMONTATA PG-SR	
16	00111300029	VITE TE UNI 5739 M10X55 8.8 ZNT	
17	00111250013	DADO AUTOB.UNI 7473 M10 10S	
18	95301250000	SUPPORTO ASSALE COMPLETO VERNICIATO	
19	95301000005	PEDANA SX	
20	95049000022	GUARNIZIONE 229/6 L=290	
21	PV95049000025	RETE ESTRAIBILE DIESEL (NERA)	
22	95301000006	PEDANA DX	
23	00111450004	VITE F/R TBCE M8X12 ZNT	
24	95125110000	STAFFA DX COMPLETA	
25	95301160001	SUPPORTO SX GR.MECCANICO VERNICIATO	
26	95301170001	SUPPORTO DX GR.MECCANICO VERNICIATO	
27	95125190000	STAFFA SX COMPLETA	
28	00111000166	DADO AUTOB.UNI 7473 M6 6S	
29	00111000076	VITE TE UNI 5739 M10X25 8.8 ZNT	
30	00111000103	VITE TE UNI 5739 M10X30 8.8 ZNT	
31	PC95049290002	PARATIA DI PROTEZIONE DX-CATAFOR.-	
32	00111000061	ROSETTA Ø 8,4X24 SP.2 ZNT	
33	95303000006	SUPPORTO FILTRO ZNT	
34	00111000067	VITE BRUG.M10X20 8.8 UNI 5931 ZNT	
35	95301150000	SUPPORTO BRACCI DI SOLLEVAM COMPL.ZNT	
36	95303250000	SUPPORTO VALVOLA COMPLETO VERNICIATO	
37	95049000027	AERSTOP 20X5 301F L = 40 mm	
38	PC95049260000	INVOLUCRO PORTA BATTERIA COMPLETA	
39	00111350019	VITE TSPEI M4 X14 10.9 UNI 5933 ZNT	
40	00111250006	DADO AUTOB.UNI 7473 M4 6S	
41	95303000059	PROTEZIONE VALVOLA VERNICIATO	
42	00111450001	VITE F/R M8X25 LISCIA ZNT BIANCA	
43	00111970010	ORLO GOMMA 14X18X23	
44	95200140000	SUPPORTO MOTORE COMPLETO VERNICIATO	
45	00111000087	ROSETTA P.8,4X15.6X1,5 ZT	
46	00111250014	DADO AUTOB.UNI 7473 M8 10S	
47	00111300064	VITE TE UNI 5739 M8X25 10.9 ZNT	
48	95303000024	PIATTO RIBALTAMENTO RASAERBA ZNT	
49	95201000004	RETE CARENA MOTORE DX VERN.KUBOTA	
50	00111800007	RIVETTO D.3,9X12 NERO	
51	95303000062	MOLLA SX PIATTO RIBALTAMENTO	
52	95303000061	MOLLA DX PIATTO RIBALTAMENTO	
53	00111000155	DADO UNI 5588 M6 6S ZNT	
54	95304000005	SUPPORTO FILTRO GASOLIO ZNT	
55	00111350030	VITE TSPEI M6X25 8.8 UNI 5933 ZNT	
56	95315120000	LAMIERA CHIUSURA VANO MOTORE PREM.	
57	95303200000	LAMIERA CHIUSURA VANO MOTORE PREM.	
58	95309000003	LAMIERA CHIUSURA VANO MOTORE	
59	95309110000	PARATIA VANO MOTORE COMPLETA ZNT	

#

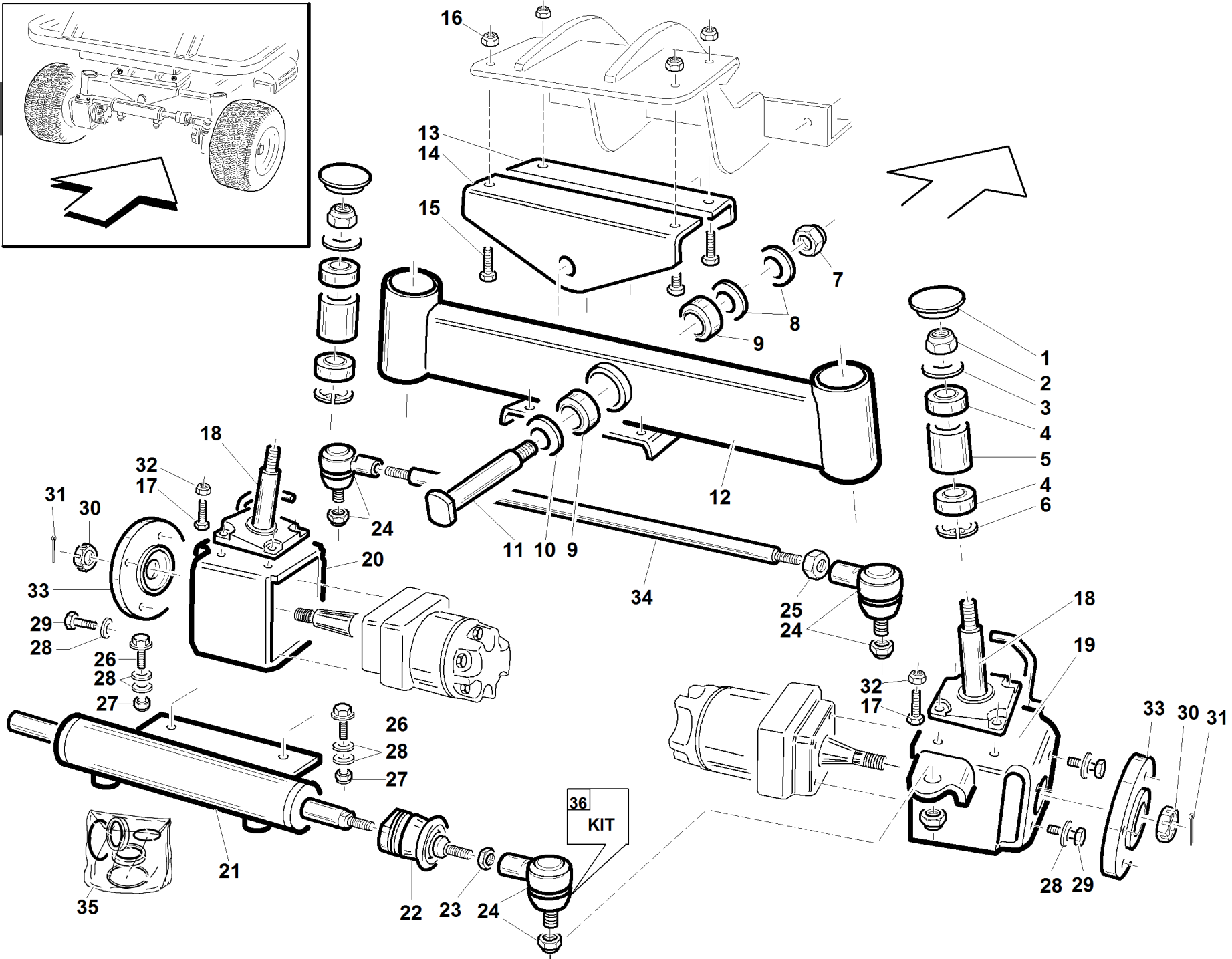
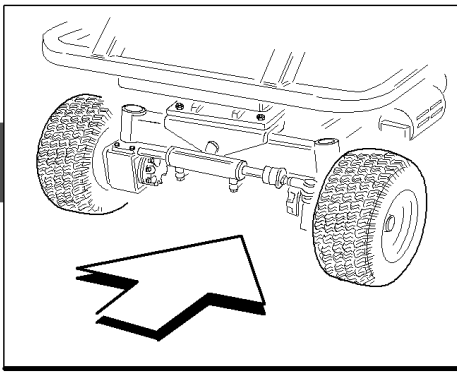
P/N

DESCRIPTION

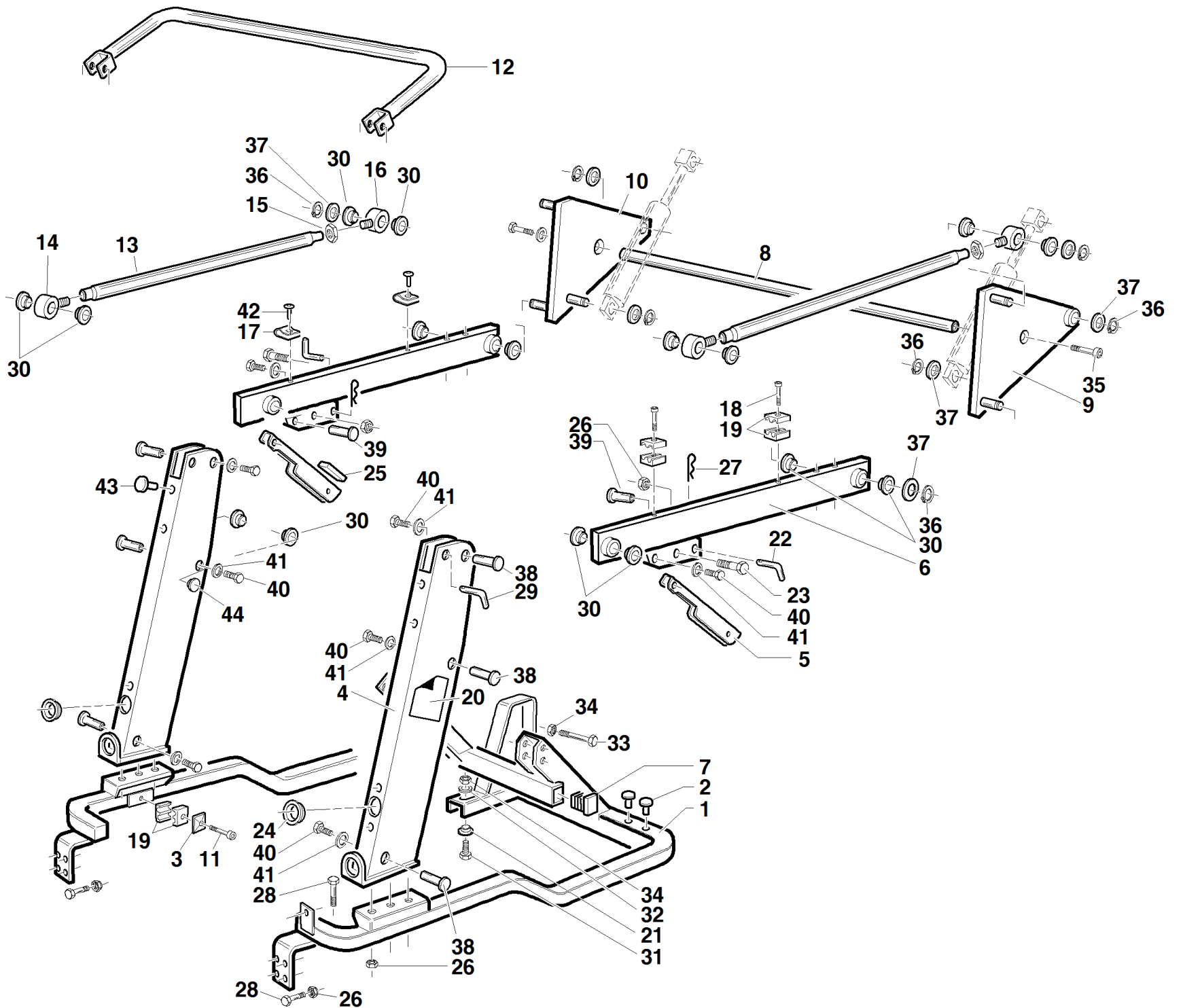
PG/SR

REF. 02 - 00555501002

60
6100111450003
95332000004VITE F/R M8X20 8.8 LISCIA ZNT BIAN.
PARATIA VANO MOTORE VERNICIATA



#	P/N	DESCRIPTION	PG/SR-W
1	94500000087	PROTEZ. CUSCINETTO INTERNO SEMIASSE	
2	00111250011	DADO AUTOB.UNI 7474 M14x1,5 6S	
3	95303110004	DISTANZIALE Ø14,5XØ35X3	
4	00777100012	CUSCINETTO CLB 6006 2RS 30X55X13	
5	95303110005	DISTANZIALE Ø31XØ36X45	
6	00111650003	SEGER TIPO I X D.55 UNI 7437	
7	00111250007	DADO AUTOB.UNI 7474 M20X1,5 H=17	
8	95303110003	DISTANZIALE Ø20.5XØ35X3	
9	00777100053	CUSCINETTO CLB 61906 -2RS1 30X47X9	
10	95303110001	DISTANZIALE Ø30.3XØ38X3	
11	95303110002	PERNO ASSALE	
12	95301200000	ASSALE POSTERIORE COMPLETO	
13	95303000009	FORCELLA ANTERIORE ASSALE	
14	95303000010	FORCELLA POSTERIORE ASSALE VERNICIATA	
15	00111000103	VITE TE UNI 5739 M10X30 8.8 ZNT	
16	00111250013	DADO AUTOB.UNI 7473 M10 10S	
17	00111300052	VITE TE UNI 5739 M8 X30 12.9 ZNT	
18	95303110007	PERNO DI STERZO	
19	95303180000	SUPPORTO ORBITALE DX COMPLETO VRN	
20	95303190000	SUPPORTO ORBITALE SX COMPLETO VERNICIATO	
21	95301000013	MARTINETTO DI STERZO	
22	00777200024	SNODO ASSIALE M14x1.5-PERNO SF.28 M12	
23	00111150024	DADO UNI 5589 - M12X1.25 - 6S ZNT	
24	00777200023	TESTA STERZO FEMM. M12x1.25 CT.50	
25	00111500027	DADO ESAGONALE M12X1.25 UNI 5588 ZNT	
26	00111300084	VITE TE UNI 5739 M10X35 10.9 ZNT	
27	00111250013	DADO AUTOB.UNI 7473 M10 10S	
28	00111550005	RONDELLA ELASTICA CONICA M10 DIN6796 ZNT	
29	00111300075	"VITE TE UNC 3/8""-16X1"" 10.9 ZNT"	
30	95599000038	"DADO AD INTAGLI 3/4""-28 FISS. ORBITALI"	
31	00111750007	COPIGLIA D2X35 UNI1336	
32	00111250025	DE AUT METB FL CL10 8MA ZNT	
33	95303000014	SUPPORTO RUOTA ZNT	
34	95303000011	TIRANTE STERZO	
35	95599610000	KIT PARAOLI MARTINETTO DI STERZATURA	
36	95598240000	KIT CUFFIA TESTA STERZO	



#

P/N

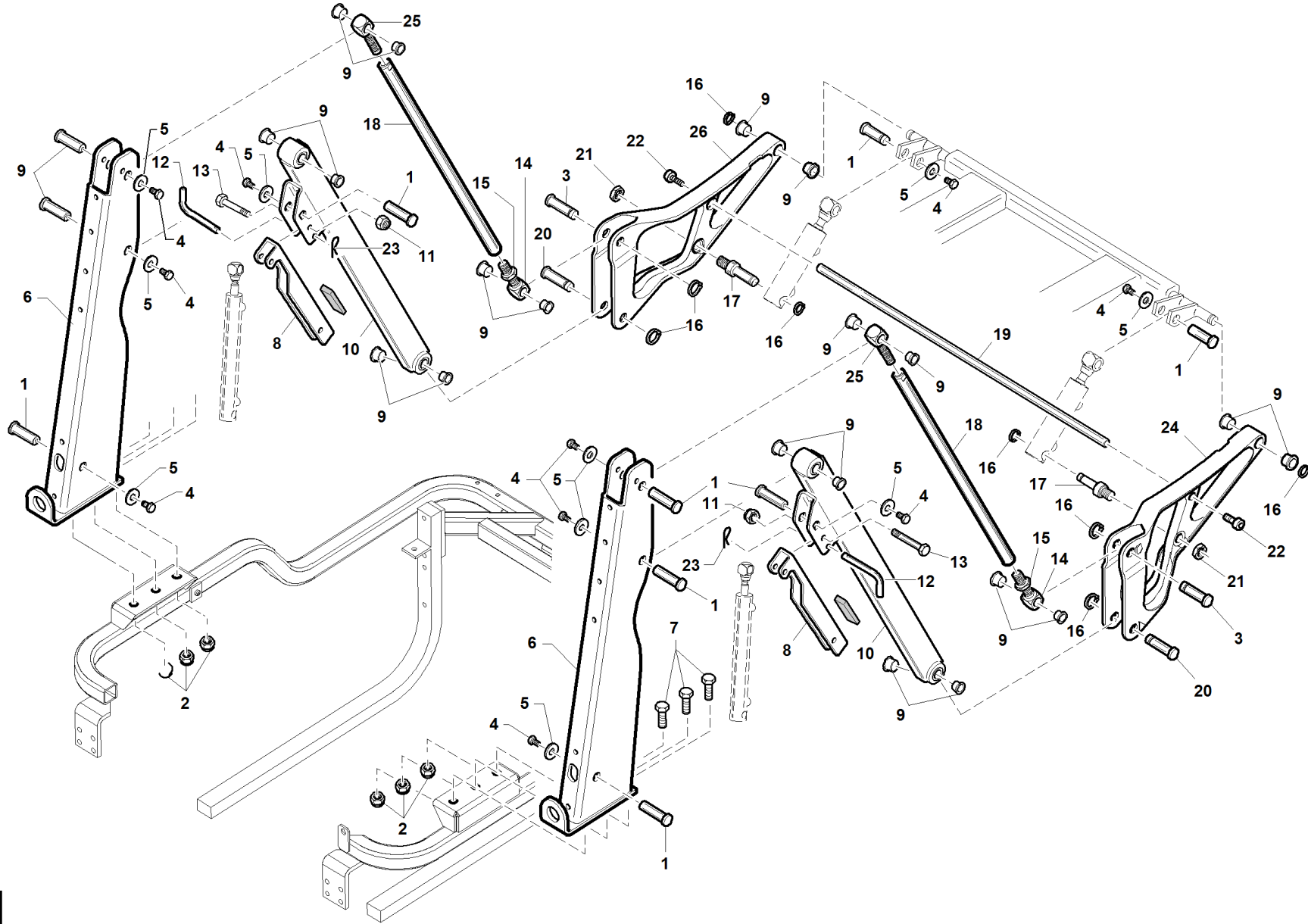
DESCRIPTION

PG/SR

REF. TAV. 04

#	P/N	DESCRIPTION	PG/SR	REF. TAV. 04

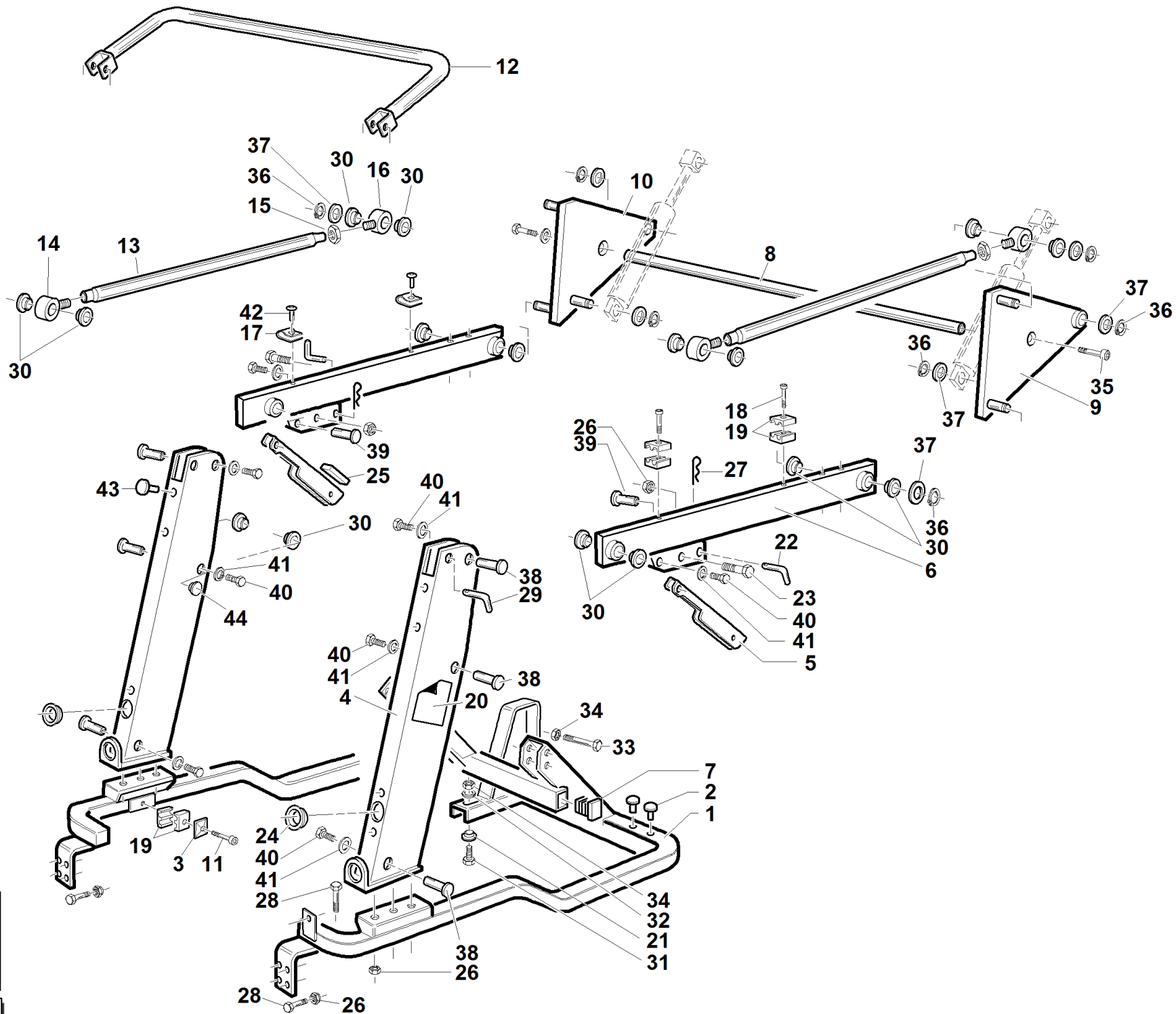
PG-SR



S/N
→1010029

REF.04 - 00555501056

#	P/N	DESCRIPTION	PG-SR
1	94010000060	PERNO FISSAGGIO CILINDRO RIBALTAMENTO	
2	00111250004	DADO AUTOB.UNI 7473 M10 6S	
3	95305000004	PERNO RIBALTAMENTO L=54.5 ZNT	
4	00111000081	VITE TE UNI 5739 M8 X16 8.8 ZNT	
5	00111000061	ROSETTA Ø 8,4X24 SP.2 ZNT	
6	95305110000	PIANTONE ELEVATORE COMPLETO VRN	
7	00111300018	VITE TE UNI 5739 M10X35 8.8 ZNT	
8	95125000008	PUNTALINO DI SICUREZZA	
9	00111990017	BOCCOLA FRIMET TFF 20/16,5	
10	95305100000	BRACCIO DI SOLLEVAMENTO COMPLETO VRN	
11	00111250004	DADO AUTOB.UNI 7473 M10 6S	
12	95125000009	PERNO PUNTALINO DI SICUREZZA	
13	00111300049	VITE TE UNI 5737 M10X60 8.8 ZNT	
14	94013000015	BOCCOLA FILETTATA M20X1,5 MASCHIO	
15	00111150011	DADO UNI 5589 M20X1,5 6S ZNT	
16	00111000057	SEEGER TIPO E X D.20 UNI 7435	
17	95305000006	PERNO CILINDRO ZNT	
18	95305000003	MANICOTTO TIRANTE ELEVATORE VRN	
19	95125000001	DISTANZIALE BRACCI ELEVATORE	
20	95305000005	PERNO RIBALTAMENTO L=69.5 ZNT	
21	00111150001	DADO UNI 5589 M18X1,5 6S ZNT	
22	00111400041	VITE BRUG.M14X30 8.8 UNI 5931 ZNT	
23	00111750004	COPIGLIA BETA DECO AGRI 2 2	
24	95305000002	TRIANGOLO SX ELEVATORE VRN	
25	94017000003	BOCCOLA FILETTATA M20X1,5 SX MASCHIO	
26	95305000001	TRIANGOLO DX ELEVATORE VRN	



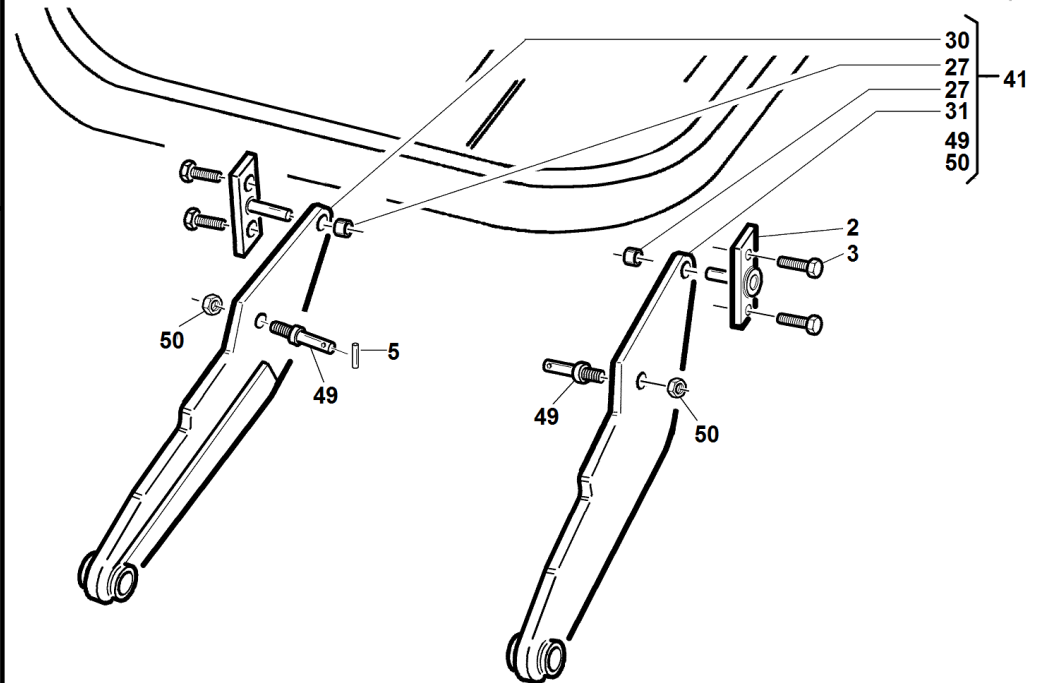
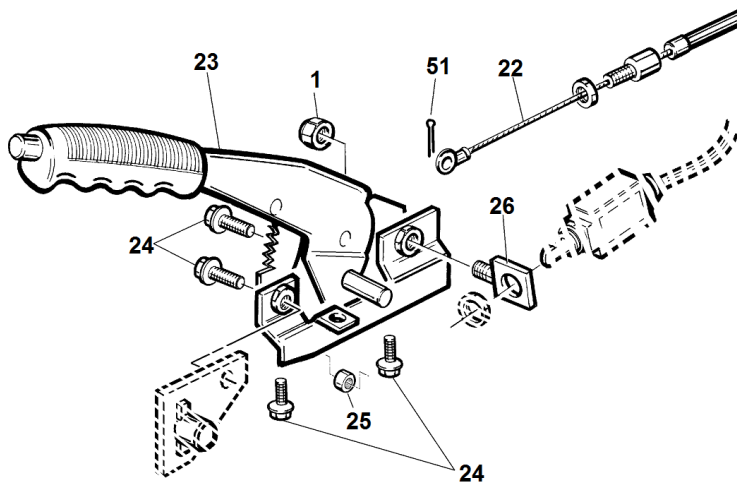
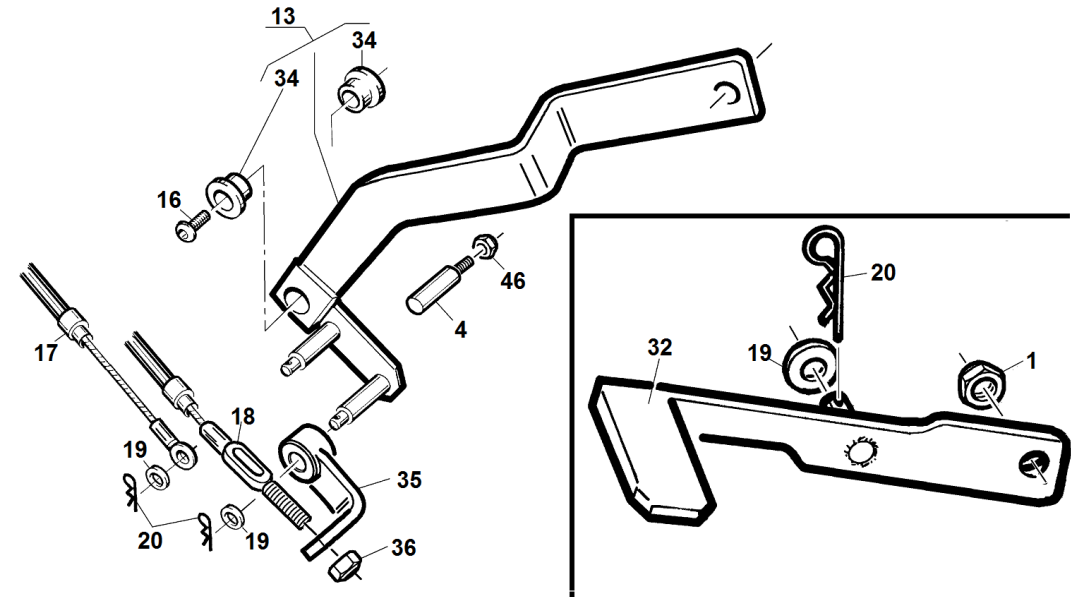
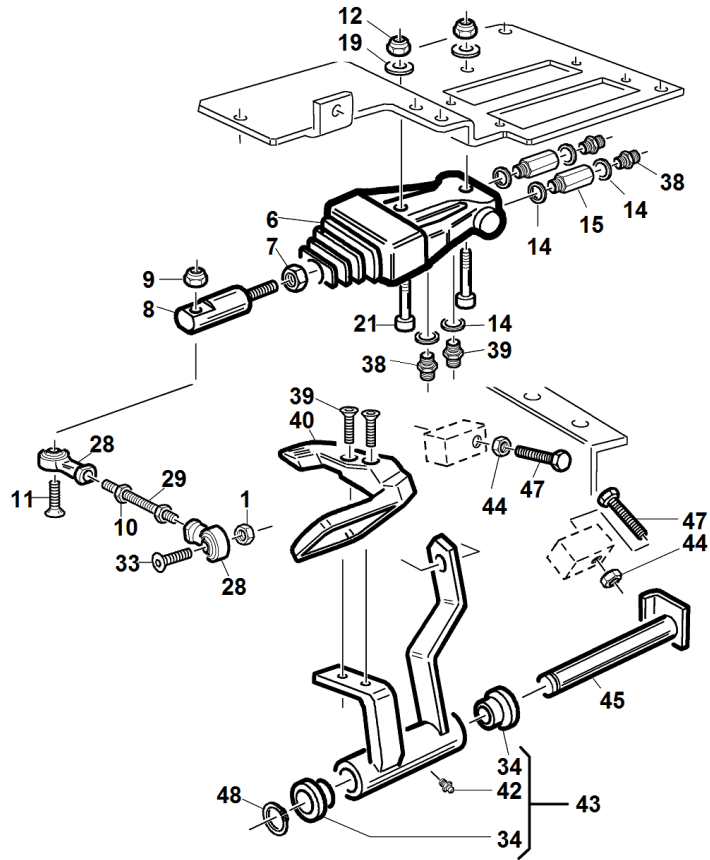
S/N

→06401807÷ 1010028 ←

REF.04 - 00555501004

#	P/N	DESCRIPTION	PG/SR
1	95125130000	TELAIO ELEVATORE COMPLETO VERN.	
2	00111970168	TAPPO DI CHIUSURA FORO Ø 9	
3	00111990081	PIASTRINA SUP. COPPIA COLLARE	
4	95125210000	MONTANTE COMPLETO	
5	95125000008	PUNTALINO DI SICUREZZA	
6	95125170000	BRACCIO DI SOLLEVAMENTO COMPL.VERNICIATO	
7	00111970148	PUNTALE RETTANGOLARE 30x40	
8	95125000001	DISTANZIALE BRACCI ELEVATORE	
9	95125160000	TRIANGOLO PARALLELOGRAMMA SX COMPL.	
10	95125150000	TRIANGOLO PARALLELOGRAMMA DX COMPL.	
11	00111990082	VITE TE M6X35 COPPIA COLLARE	
12	95125100000	ROLLBAR COMPLETO VERNICIATO	
13	95125000012	MANICOTTO TIRANTE ELEVATORE	
14	94017000003	BOCCOLA FILETTATA M20X1,5 SX MASCHIO	
15	00111150011	DADO UNI 5589 M20X1,5 6S ZNT	
16	94013000015	BOCCOLA FILETTATA M20X1,5 MASCHIO	
17	00111810020	FASCETTA 3/8 -82197-	
18	00111400015	VITE TCEI.M6X40 8.8 TUTTO FILET.ZNT	
19	11001000012	COPPIA/COLLARE 12X12 P.	
20	00555200119	DECALCOMANIA PERICOLO ELEVATORE	
21	95006000015	BOCCOLA PORTACOLTELLO-GF0140001010-	
22	95125000009	PERNO PUNTALINO DI SICUREZZA	
23	00111300049	VITE TE UNI 5737 M10X60 8.8 ZNT	
24	00111970128	PASSACAVO MONTANTE ELEV. 2060 Ø.32	
25	95128100001	AERSTOP 20X15 L=70	
26	00111250004	DADO AUTOB.UNI 7473 M10 6S	
27	00111750004	COPIGLIA BETA DECO AGRI 2 2	
28	00111300018	VITE TE UNI 5739 M10X35 8.8 ZNT	
29	95125000010	PERNO ROLLBAR ZNT	
30	00111990017	BOCCOLA FRIMET TFF 20/16,5	
31	00111000024	VITE TE UNI 5739 M12X40 8.8	
32	00111500003	ROSETTA P.12X36X3 ZNT	
33	00111300010	VITE TE UNI 5737 M12X70 8.8 ZNT	
34	00111250009	DADO AUTOB.UNI 7473 M12X1,5	
35	00111400041	VITE BRUG.M14X30 8.8 UNI 5931 ZNT	
36	00111000057	SEEGER TIPO E X D.20 UNI 7435	
37	00111500011	ROSETTA P.20x30x2 ZNT	
38	94010000060	PERNO FISSAGGIO CILINDRO RIBALTAMENTO	
39	94010000059	PERNO FISSAGGIO ASTA RIBALTAMENTO	
40	00111000081	VITE TE UNI 5739 M8 X16 8.8 ZNT	
41	00111000061	ROSETTA Ø 8,4X24 SP.2 ZNT	
42	00111000054	RIVETTO D.4,8 X 12 AL	
43	00111970169	TAPPO DI CHIUSURA FORO Ø10.5	
44	00111970172	TAPPO NERO GOMMA D20 SP5	

PG-SR-W



#

P/N

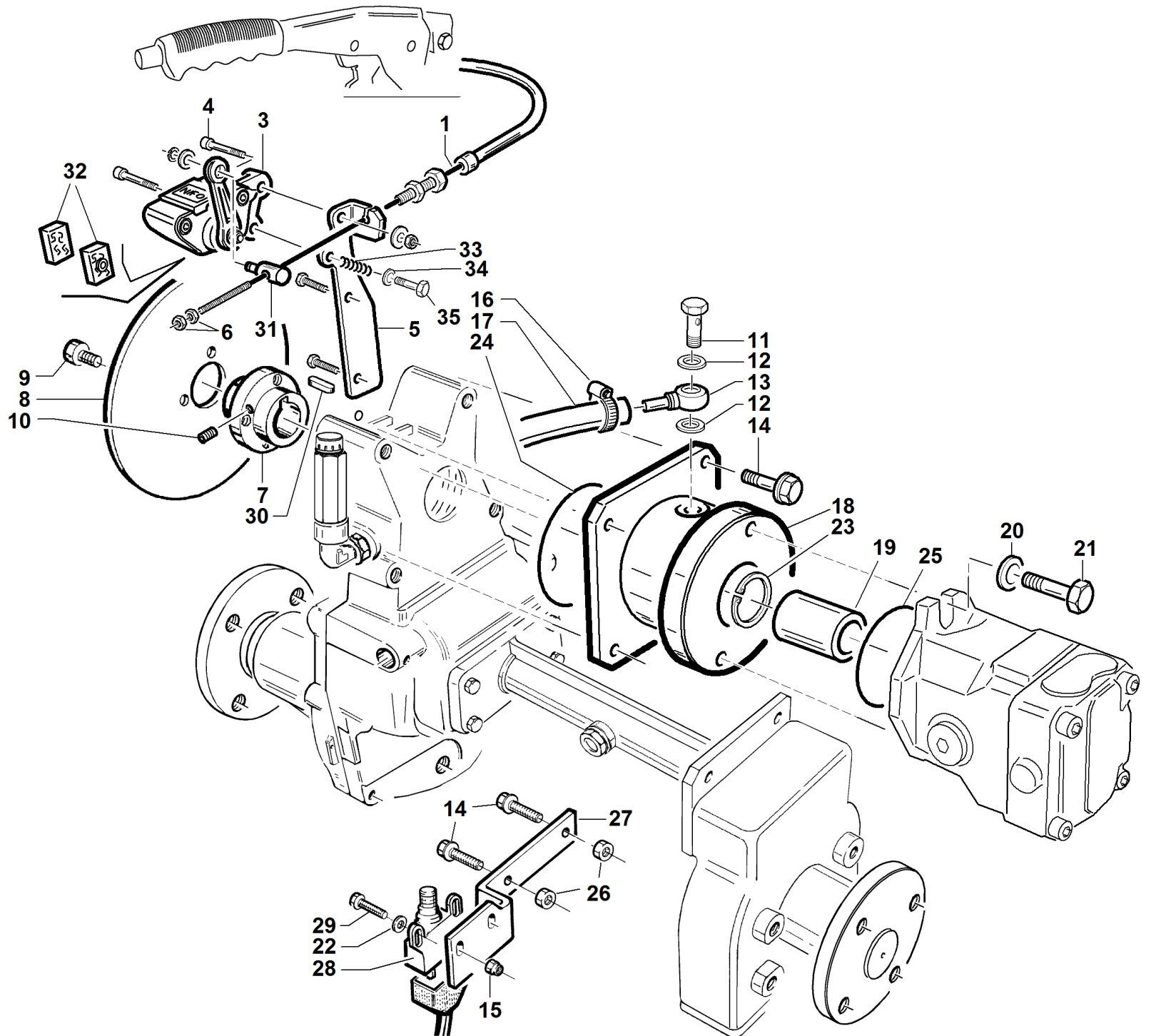
DESCRIPTION

PG-SR-W

REF. 05 - 00555501006

1	00111000071	DADO AUTOB.UNI 7473 M8 6S		
2	95301150000	SUPPORTO BRACCI DI SOLLEVAM COMPL.ZNT		
3	00111000103	VITE TE UNI 5739 M10X30 8.8 ZNT		
4	95301000002	TONDO FERMO LEVA PDP		
5	00111700006	SPINA EL SPIROL D.6X28 UNI6875		
6	95303000019	PEDIPOLATORE		
7	00111150002	DADO UNI 5588 M10 6S ZNT		
8	95303000013	PERNO FILETTATO M10		
9	00111250018	"DADO""CONEKLOK"" M8 ZTR DIN 980 ZNT"		
10	00111000082	DADO UNI 5588 M8 6S ZNT		
11	00111000145	VITE TE UNI 5737 M8 X35 8.8 ZNT		
12	00111000035	DADO AUTOB.UNI 7474 M6 6S		
13	95301280000	LEVA PDP-TURBINA PREMONTATA		
14	00777600001	RANELLE RAME GAS 1/4 Øe.19 SP=1.5		
15	00777600037	PROLUNGA M/F 1/4 L=35		
16	00111450004	VITE F/R TBCE M8X12 ZNT		
17	95301000020	CAVO COMPLETO FRENO LAME		
18	95042210004	CAVO PDP E TURBINA COMP.REGOLABILE		
19	00111500009	ROSETTA P.6,4X12,5X1,6 UNI 6592 ZNT		
20	00111000114	"COPIGLIA ""R"" D.1,2 ZNT"		
21	00111400015	VITE TCEI.M6X40 8.8 TUTTO FILET.ZNT		
22	95042000013	CAVO FRENO A MANO PLAY IDRO		
23	00111990015	LEVA FRENO A MANO 40.003/1		
24	00111450003	VITE F/R M8X20 8.8 LISCIA ZNT BIAN.		
25	95001000027	DISTANZIALE Ø8.25X14 L=8 'ZNT'		
26	PZ95042190000	SUPPORTO MICRO COMPL.		
27	00111530005	BOCCOLA FRIMET TFP 18 20 10		
28	00777200007	TESTA SNODO CF8 M8		
29	95303000060	ASTA LEVA PEDIPOLATORE		
30	95303150002	BRACCIO SOLLEVATORE		
31	95303150002	BRACCIO SOLLEVATORE		
32	PZ95001390000	PEDALE BLOCC.DIFF.		
33	00111350022	VITE TSPEI M8X30 8.8 UNI 5933 ZNT		
34	95001000060	BOCCOLA IN OTTONE		
35	PZ95042216000	REGISTRO CAVO TURBINA COMPLETO		
36	00111000095	DADO AUTOB.UNI 7474 M8 6S		
37	95301140000	SUPPORTO PEDALE AVANZAMENTO COMPLETO ZNT		
38	00777600122	NIPLES 1/4-1/4 ORIFICIO 0.9		
39	00777600121	NIPLES 1/4-1/4 ORIFICIO 0.5		
40	95533000003	PEDALE AVANZ. IN ALLUMINIO FORATO		
41	95599590000	KIT BRACCI SOLLEVATORE PG-W		
42	00111000036	INGRASSATORE M6 DIRITTO		
43	95301320000	SUPPORTO PEDALE PREMONTATO		
44	00111150003	DADO UNI 5589 M8 6S ZNT		
45	95301100000	PERNO PEDALE COMPLETO		
46	00111000166	DADO AUTOB.UNI 7473 M6 6S		
47	00111000033	VITE TE UNI 5739 M8 X30 8.8 ZNT		
48	00111650004	SEEGER TIPO E x Ø15 UNI 7436		
49	95301000032	PERNO SUPPORTO CILINDRO ZNT		
50	00111150005	DADO UNI 5589 M16X1,5 6S ZNT		
51	00111750006	COPIGLIA 1.6X20 UNI1336 ZNT		

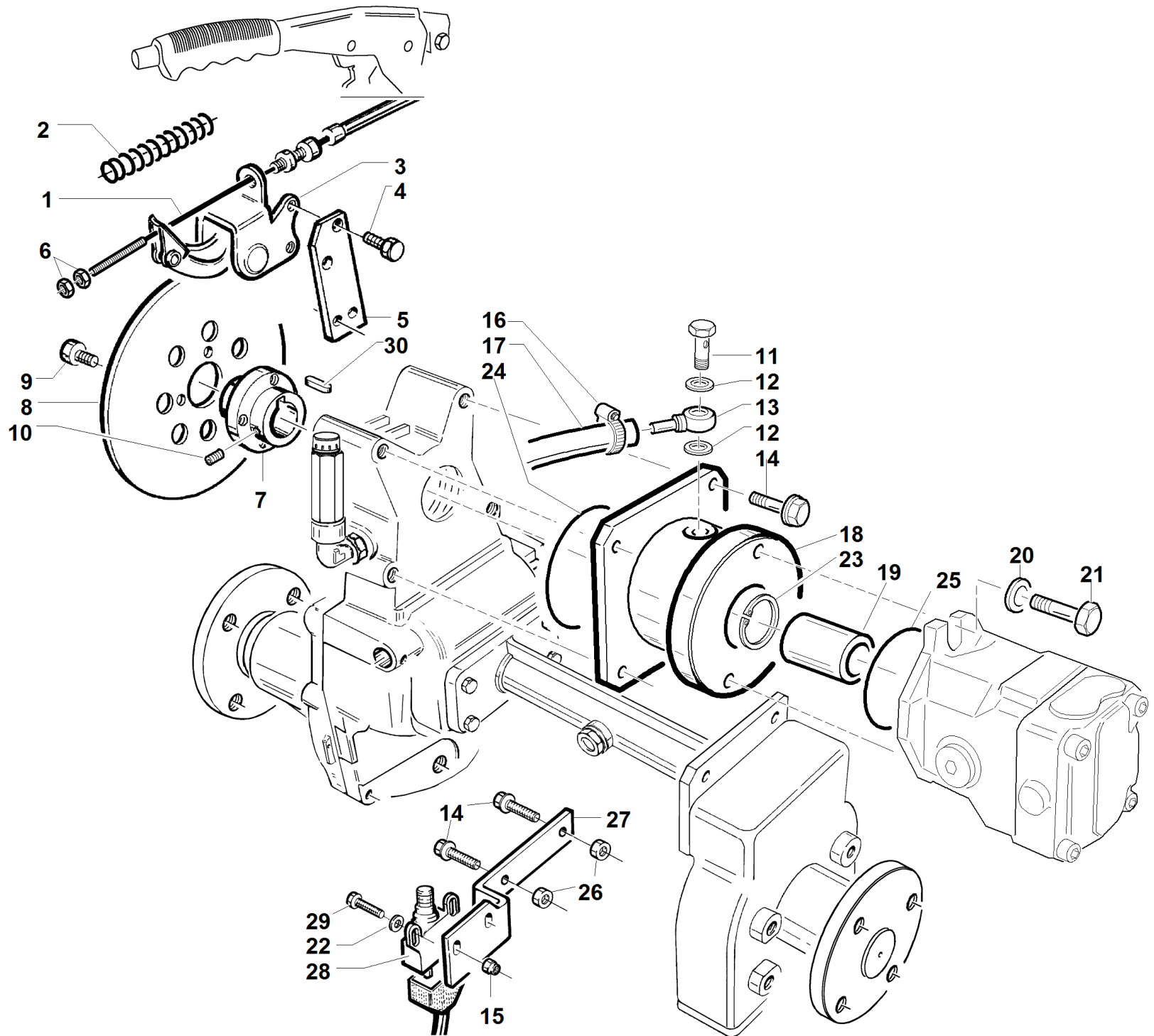
PG/SR-W



S/N
→0805001

REF.06 - 00555501044

#	P/N	DESCRIPTION	PG/SR-W
1	95301000013	MARTINETTO DI STERZO	
2	95029000016	MOLLA RITORNO FRENO	
3	95301000036	PINZA FRENO	
4	00111450005	VITE F/R M6X16 LISCIA DACROMET	
5	95303221100	SUPP. PINZA FRENO DI STAZION. COMPL. ZNT	
6	00111000155	DADO UNI 5588 M6 6S ZNT	
7	95042200004	MOZZO FRENO A DISCO VERS.IDRO	
8	00111990023	DISCO FRENO D.160 ZNT	
9	00111000184	VITE TE M5X10 ZNT	
10	00111960003	GRANO M6X10 UNI 5927	
11	00777600041	VITE CAVA 3/8	
12	00777600003	RANELLE RAME 3/8	
13	00777600142	OCCHIO A PRESSARE BSP 3/8-1/4	
14	00111450001	VITE F/R M8X25 LISCIA ZNT BIANCA	
15	00111250006	DADO AUTOB.UNI 7473 M4 6S	
16	00111810010	FASCETTA 10-16 TIPO NORMA	
17	95303000065	TUBO SFIATO GRUPPO MECCANICO	
18	95303000002	SUPPORTO MOTORE	
19	95303000005	BOCCOLA MOTORE	
20	00111550005	RONDELLA ELASTICA CONICA M10 DIN6796 ZNT	
21	00111000103	VITE TE UNI 5739 M10X30 8.8 ZNT	
22	00111500010	ROSETTA P.4,3X9X0,8 UNI 6592 ZNT	
23	00111650027	SEEGER TIPO I X D.19	
24	00777230021	GUARNIZIONE OR D=2.62 - Di=82.22	
25	00777230020	GUARNIZIONE OR D=5.34 - Di=56.52	
26	00111000071	DADO AUTOB.UNI 7473 M8 6S	
27	95301000011	PIATTO SUPPORTO MICROINTERRUTTORE ZNT	
28	00777800023	PULSANTE COBO 15117000 -I05010-	
29	00111300019	VITE TE UNI 5739 M4 X20 8.8 ZNT	
30	00111900012	LINGUETTA A 5X5X16 UNI 6604	
31	95301000038	PERNO CAVO FRENO DI STAZIONAMENTO ZNT	
32	95599000056	COPPIA PASTIGLIE FRENO A DISCO	
33	95303000079	MOLLA COMP. De=12.5 L=27 FILO=1.1 ZNT	
34	00111000037	ROSETTA P.6,6X18X2 ZNT UNI 6593	
35	00111300011	VITE TE UNI 5739 M6 X20 8.8 ZNT	

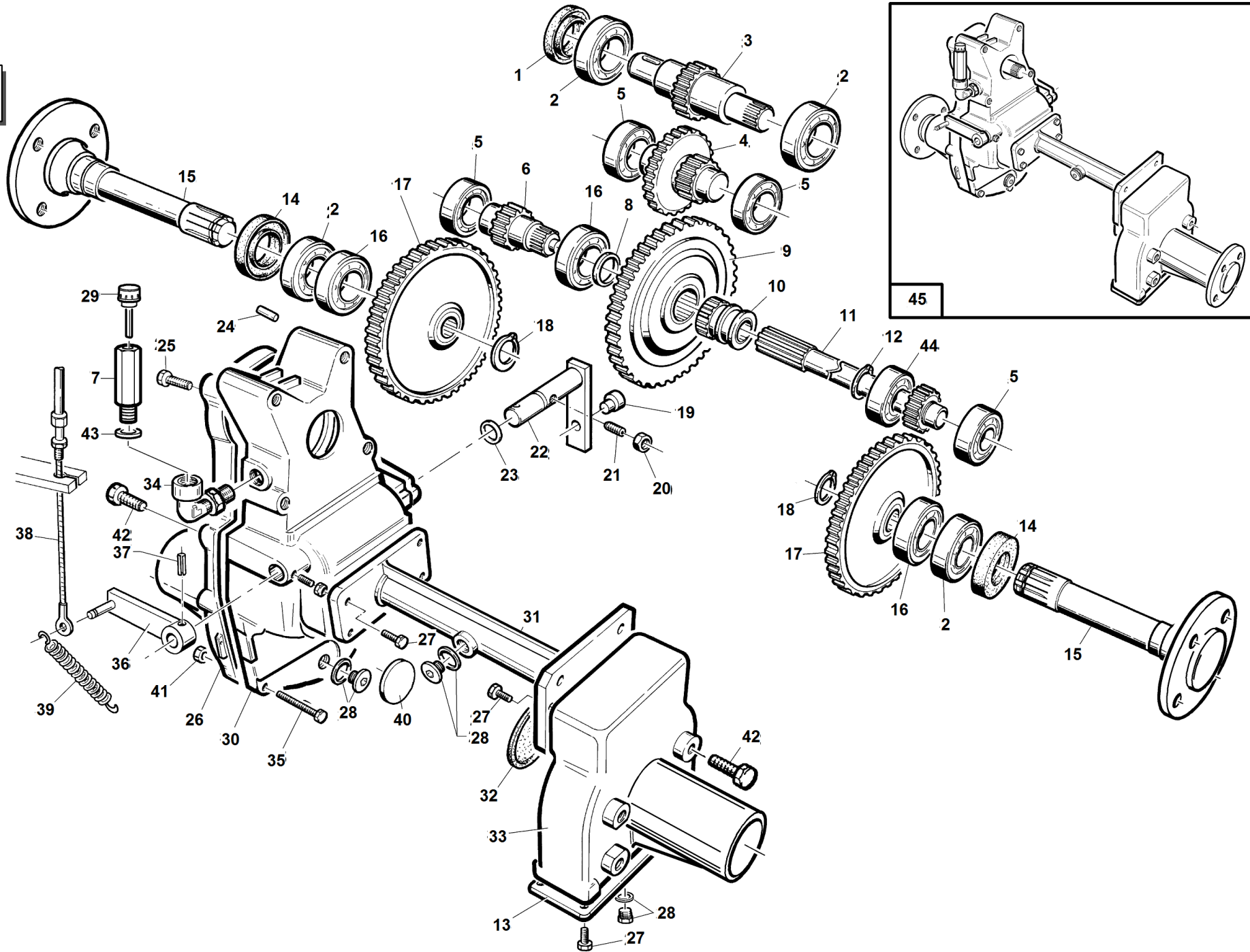


S/N
→ 0603001 ÷ 0804049 ←

REF.06 - 00555501007

1	95042000013	CAVO FRENO A MANO PLAY IDRO		
2	95029000016	MOLLA RITORNO FRENO		
3	00111990022	PINZA FRENO DX		
4	00111450005	VITE F/R M6X16 LISCIA DACROMET		
5	95042200005	PIATTO SUPPORTO PINZA FRENO (ZNT)		
6	00111000155	DADO UNI 5588 M6 6S ZNT		
7	95042200004	MOZZO FRENO A DISCO VERS.IDRO		
8	00111990023	DISCO FRENO D.160 ZNT		
9	00111000184	VITE TE M5X10 ZNT		
10	00111960003	GRANO M6X10 UNI 5927		
11	00777600041	VITE CAVA 3/8		
12	00777600003	RANELLE RAME 3/8		
13	00777600142	OCCHIO A PRESSARE BSP 3/8-1/4		
14	00111450001	VITE F/R M8X25 LISCIA ZNT BIANCA		
15	00111250006	DADO AUTOB.UNI 7473 M4 6S		
16	00111810010	FASCETTA 10-16 TIPO NORMA		
17	95303000065	TUBO SFIATO GRUPPO MECCANICO		
18	95303000002	SUPPORTO MOTORE		
19	95303000005	BOCCOLA MOTORE		
20	00111550005	RONDELLA ELASTICA CONICA M10 DIN6796 ZNT		
21	00111000103	VITE TE UNI 5739 M10X30 8.8 ZNT		
22	00111500010	ROSETTA P.4,3X9X0,8 UNI 6592 ZNT		
23	00111650027	SEEGER TIPO I X D.19		
24	00777230021	GUARNIZIONE OR D=2.62 - Di=82.22		
25	00777230020	GUARNIZIONE OR D=5.34 - Di=56.52		
26	00111000071	DADO AUTOB.UNI 7473 M8 6S		
27	95301000011	PIATTO SUPPORTO MICROINTERRUTTORE ZNT		
28	00777800023	PULSANTE COBO 15117000 -I05010-		
29	00111300019	VITE TE UNI 5739 M4 X20 8.8 ZNT		
30	00111900012	LINGUETTA A 5X5X16 UNI 6604		

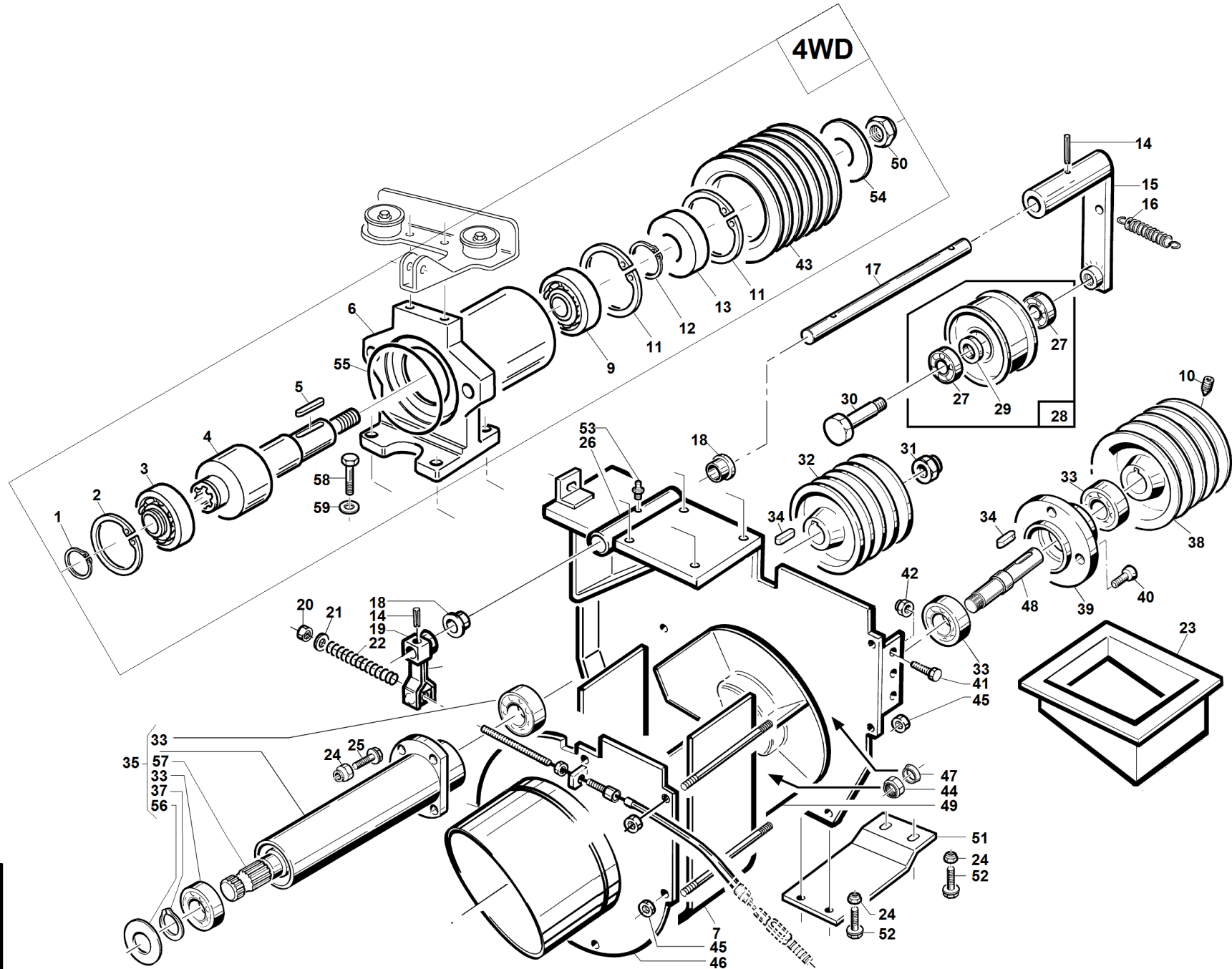
PG-SR-W



#	P/N	DESCRIPTION	PG-SR-W
1	00777250024	ANELLO AS 30X47X7	
2	00777100014	CUSCINETTO CLA 6006 30X55X13	
3	95303170012	ALBERO Z=24	
4	00777304603	ALBERO PIGNONE Z=29	
5	00777100015	CUSCINETTO CLA 6005 25X47X12	
6	95303170008	ALBERO PIGNONE Z15	
7	95303170011	PROLUNGA ASTA LIVELLO OLIO	
8	95303170009	DISTANZIALE	
9	00777301001	DIFFERENZIALE	
10	00777301006	BOCCOLA SCANALATA	
11	95303170002	ALBERO PIGNONE Z12	
12	00111650009	SEEGER TIPO I X D.52 UNI 7437	
13	95303170007	COPERCHIO	
14	00777250025	ANELLO AS 35X55X10	
15	95303170005	SEMIASSE	
16	00777100052	CUSCINETTO RULLI CLA NUP205 EC 25X52 X15	
17	95303170004	CORONA Z=69	
18	00111650028	SEEGER TIPO E X D29 UNI7435	
19	00777301011	PATTINO	
20	00111150003	DADO UNI 5589 M8 6S ZNT	
21	00111960004	GRANO M8X20 UNI 5925	
22	00777301012	LEVA DIFFERENZIALE COMPLETO	
23	00777230001	GUARNIZIONE OR 112	
24	00111870004	SPINA A 6X14 UNI 6364	
25	00111000094	VITE TE UNI 5739 M8 X40 8.8 ZNT	
26	95303170010	SEMISCATOLA DX	
27	00111000093	VITE TE UNI 5739 M8 X20 8.8 ZNT	
28	00111990099	"TAPPO/ROSETTA AI SCARICO OLIO 3/8"""	
29	00777600143	TAPPO 1/2 GAS CON ASTINA L=60mm	
30	95303170001	SEMISCATOLA SX	
31	95303170003	PROLUNGA DI COLLEGAMENTO	
32	00777270001	CAPPELLOTTO CHIUSO 62X7	
33	95303170006	SCATOLA SX	
34	00111990004	RACCORDO 90°LMF/A10-1/2	
35	00111300074	VITE TE UNI 5739 M8x55 8.8 ZNT	
36	95001100000	LEVA ESTERNA BLOC.DIFF.	
37	00111700006	SPINA EL SPIROL D.6X28 UNI6875	
38	95301000021	CAVO COMPLETO BLOCCAGGIO DIFFERENZIALE	
39	95001000050	MOLLA BLOCCAGGIO DIFF.	
40	00777270007	CAPPELLOTTO CHIUSO 42X7	
41	00111000082	DADO UNI 5588 M8 6S ZNT	
42	00111000103	VITE TE UNI 5739 M10X30 8.8 ZNT	
43	00777600117	RANELLE RAME 1/2	
44	00777100051	CUSCINETTO CLA 6205 25X52X15	
45	95303170000	GRUPPO MECCANICO PG4WD	

PG/SR

4WD



S/N

→ **0707016**

→ **07433207**

REF.08 - 00555501058

#

P/N

DESCRIPTION

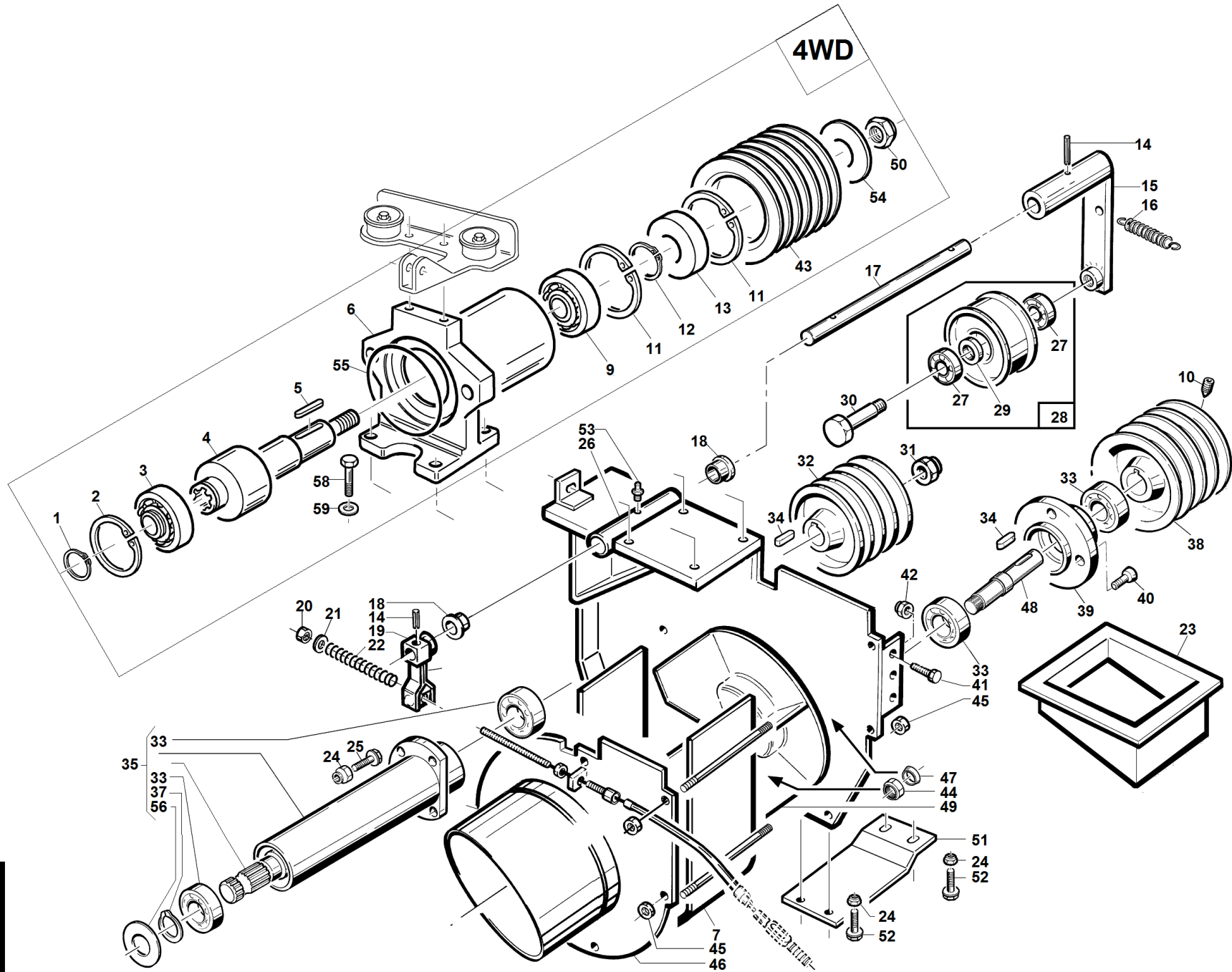
PG/SR

REF. 08 - 00555501058

1	00111000139	SEGER TIPO E X D.35		
2	00111650026	SEEGER TIPO I x D.72 UNI 7437		
3	00777100055	CUSCINETTO CLA 6207 35x72x17		
4	95303000004	ALBERO POMPA		
5	00111900007	LINGUETTA A 6X6X40 UNI 6604		
6	95303000003	SUPPORTO POMPA		
7	PZ95049391200	FASCIA CIRCOLARE TURB.D=300 COMPL.		
9	00777100054	CUSCINETTO RULLI CLA NJ 2205 EC 25X52X18		
10	00111960002	GRANO M8X16 UNI 5927		
11	00111650009	SEEGER TIPO I X D.52 UNI 7437		
12	00111650037	SEEGER TIPO E X Ø25 UNI 7435		
13	00777250026	ANELLO TCP POLIACRILICO 25X52X10		
14	00111700006	SPINA EL SPIROL D.6X28 UNI6875		
15	95302101100	LEVA TENDITORE PDP-TURBINA COMPLETA ZNT		
16	95029000022	MOLLA TRAZIONE DISCO		
17	95302100009	PERNO		
18	95001000060	BOCCOLA IN OTTONE		
19	95049391600	LEVA TENDICING. PDP TURB.D=300 COMP		
20	00111000155	DADO UNI 5588 M6 6S ZNT		
21	00111000061	ROSETTA Ø 8,4X24 SP.2 ZNT		
22	95001000031	MOLLA INNESTO PDP (art.1820)		
23	95049000024	GUARNIZIONE CAMINO		
24	00111250014	DADO AUTOB.UNI 7473 M8 10S		
25	00111300052	VITE TE UNI 5739 M8 X30 12.9 ZNT		
26	95302101400	LAMA SUPPORTO TURBINA COMPLETA CAT		
27	00777100005	CUSCINETTO CLA 6202 2RS- 15X35X11		
28	95599580000	PULEGGIA RITEGNO CINGHIE PREMONTATA		
29	95029000023	DISTANZIALE 15,5X20 L=12,2		
30	95029000011	PERNO FILETTATO M14X1,5		
31	00111250003	DADO AUTOB.UNI 7474 M16 6S		
32	95302100004	PULEGGIA PDP A 4 GOLE D=137		
33	00777100020	CUSCINETTO CLA 6204 2RS- 20X47X14		
34	00111000174	LINGUETTA A 6X6X30		
35	95302101600	TUBO SUPPORTO PDP PREMONTATO		
37	00111000057	SEEGER TIPO E X D.20 UNI 7435		
38	95302100007	PULEGGIA TURBINA A 4 GOLE		
39	95029100001	MOZZO GIRANTE TURBINA D=240		
40	00111350012	VITE TSPEI M10X18 10.9 UNI 5933 ZNT		
41	00111000076	VITE TE UNI 5739 M10X25 8.8 ZNT		
42	00111250004	DADO AUTOB.UNI 7473 M10 6S		
43	95302100006	PULEGGIA A 6 GOLE		
44	00111250007	DADO AUTOB.UNI 7474 M20X1,5 H=17		
45	00111000095	DADO AUTOB.UNI 7474 M8 6S		
46	95302101500	PIASTRA FRONTALE TURBINA COMPLETA VERN.		
47	95001000066	ANELLO BLOCCAGGIO PULEG.		
48	95302100008	ALBERO TURBINA		
49	PZ95049391300	GIRANTE TURBINA COMP.D=300		
50	00111250003	DADO AUTOB.UNI 7474 M16 6S		
51	95301000019	SUPPORTO INFERIORE TURBINA		
52	00111450001	VITE F/R M8X25 LISCIA ZNT BIANCA		
53	00111000036	INGRASSATORE M6 DIRITTO		
54	95023000001	DISTANZIALE CENTRAGGIO LAME		
55	00777230019	GUARNIZIONE OR D=2.62 - Di=101.28		
56	00111990117	PROTEZIONE CUSCINETTO 20X47X5		
57	95302100002	ALBERO PDP		
58	00111300044	VITE TE UNI 5739 M10X30 12.9 ZNT		
59	00111550005	RONDELLA ELASTICA CONICA M10 DIN6796 ZNT		

PG/SR

4WD



S/N

→ **0612005 ÷ 0707015** ←

→ **06401807 ÷ 07433107** ←

REF. 08 - 00555501040

#

P/N

DESCRIPTION

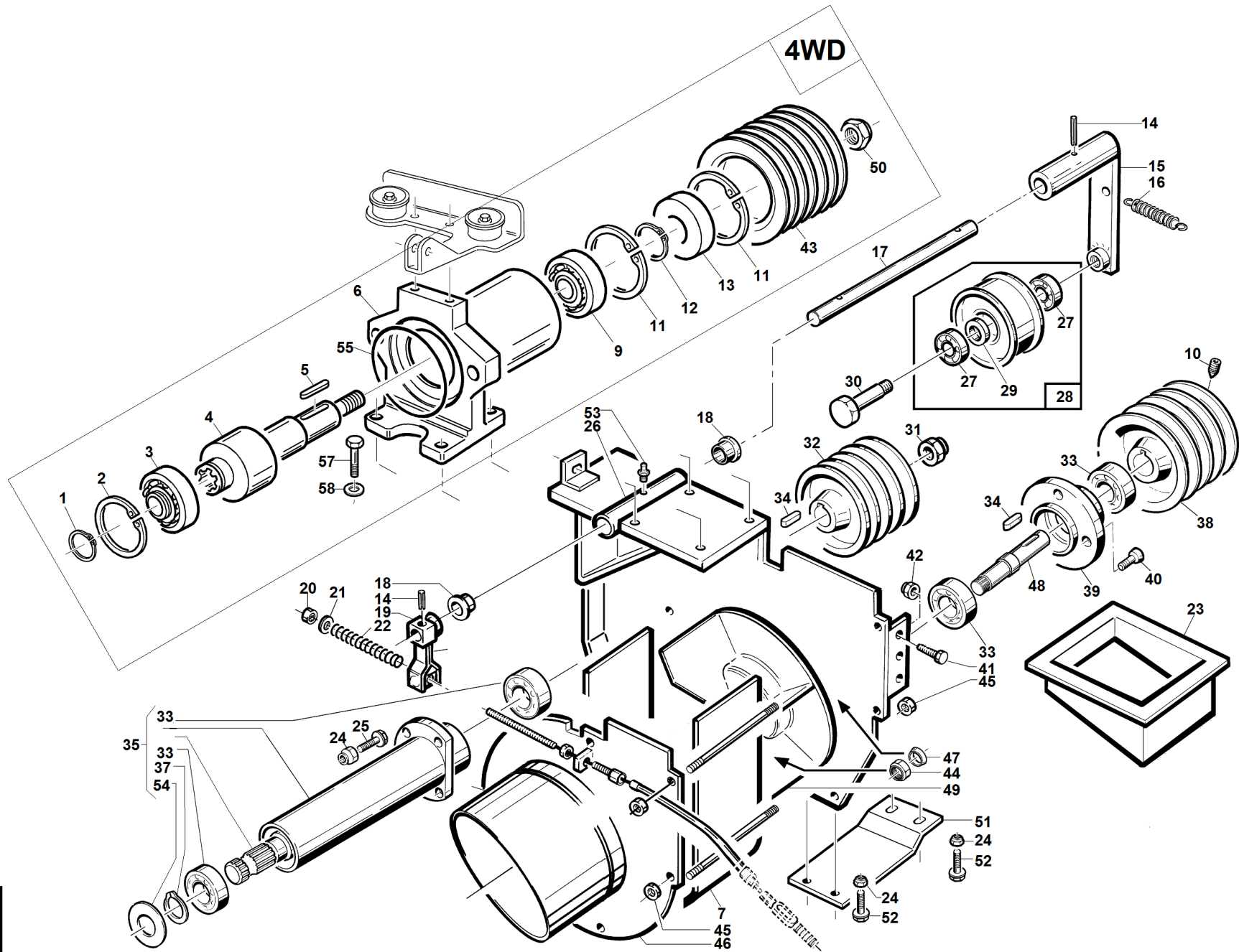
PG/SR

REF. 08 - 00555501040

1	00111000139	SEGER TIPO E X D.35		
2	00111650026	SEEGER TIPO I x D.72 UNI 7437		
3	00777100055	CUSCINETTO CLA 6207 35x72x17		
4	95303000004	ALBERO POMPA		
5	00111900007	LINGUETTA A 6X6X40 UNI 6604		
6	95303000003	SUPPORTO POMPA		
7	PZ95049391200	FASCIA CIRCOLARE TURB.D=300 COMPL.		
9	00777100054	CUSCINETTO RULLI CLA NJ 2205 EC 25X52X18		
10	00111960002	GRANO M8X16 UNI 5927		
11	00111650009	SEEGER TIPO I X D.52 UNI 7437		
12	00111650037	SEEGER TIPO E X Ø25 UNI 7435		
13	00777250026	ANELLO TCP POLIACRILICO 25X52X10		
14	00111700006	SPINA EL SPIROL D.6X28 UNI6875		
15	95302101100	LEVA TENDITORE PDP-TURBINA COMPLETA ZNT		
16	95029000022	MOLLA TRAZIONE DISCO		
17	95302100009	PERNO		
18	95001000060	BOCCOLA IN OTTONE		
19	95049391600	LEVA TENDICING. PDP TURB.D=300 COMP		
20	00111000155	DADO UNI 5588 M6 6S ZNT		
21	00111000061	ROSETTA Ø 8,4X24 SP.2 ZNT		
22	95001000031	MOLLA INNESTO PDP (art.1820)		
23	95049000024	GUARNIZIONE CAMINO		
24	00111250014	DADO AUTOB.UNI 7473 M8 10S		
25	00111300052	VITE TE UNI 5739 M8 X30 12.9 ZNT		
26	95302101400	LAMA SUPPORTO TURBINA COMPLETA CAT		
27	00777100005	CUSCINETTO CLA 6202 2RS- 15X35X11		
28	95599580000	PULEGGIA RITEGNO CINGHIE PREMONTATA		
29	95029000023	DISTANZIALE 15,5X20 L=12,2		
30	95029000011	PERNO FILETTATO M14X1,5		
31	00111250003	DADO AUTOB.UNI 7474 M16 6S		
32	95302100004	PULEGGIA PDP A 4 GOLE D=137		
33	00777100020	CUSCINETTO CLA 6204 2RS- 20X47X14		
34	00111000174	LINGUETTA A 6X6X30		
35	95302101600	TUBO SUPPORTO PDP PREMONTATO		
37	00111000057	SEEGER TIPO E X D.20 UNI 7435		
38	95302100007	PULEGGIA TURBINA A 4 GOLE		
39	95029100001	MOZZO GIRANTE TURBINA D=240		
40	00111350012	VITE TSPEI M10X18 10.9 UNI 5933 ZNT		
41	00111000076	VITE TE UNI 5739 M10X25 8.8 ZNT		
42	00111250004	DADO AUTOB.UNI 7473 M10 6S		
43	95302100006	PULEGGIA A 6 GOLE		
44	00111250007	DADO AUTOB.UNI 7474 M20X1,5 H=17		
45	00111000095	DADO AUTOB.UNI 7474 M8 6S		
46	95302101500	PIASTRA FRONTALE TURBINA COMPLETA VERN.		
47	95001000066	ANELLO BLOCCAGGIO PULEG.		
48	95302100008	ALBERO TURBINA		
49	PZ95049391300	GIRANTE TURBINA COMP.D=300		
50	00111250003	DADO AUTOB.UNI 7474 M16 6S		
51	95301000019	SUPPORTO INFERIORE TURBINA		
52	00111450001	VITE F/R M8X25 LISCIA ZNT BIANCA		
53	00111000036	INGRASSATORE M6 DIRITTO		
54	95023000001	DISTANZIALE CENTRAGGIO LAME		
55	00777230019	GUARNIZIONE OR D=2.62 - Di=101.28		
56	00111990117	PROTEZIONE CUSCINETTO 20X47X5		
58	00111300044	VITE TE UNI 5739 M10X30 12.9 ZNT		
59	00111550005	RONDELLA ELASTICA CONICA M10 DIN6796 ZNT		

PG/SR-W

4WD



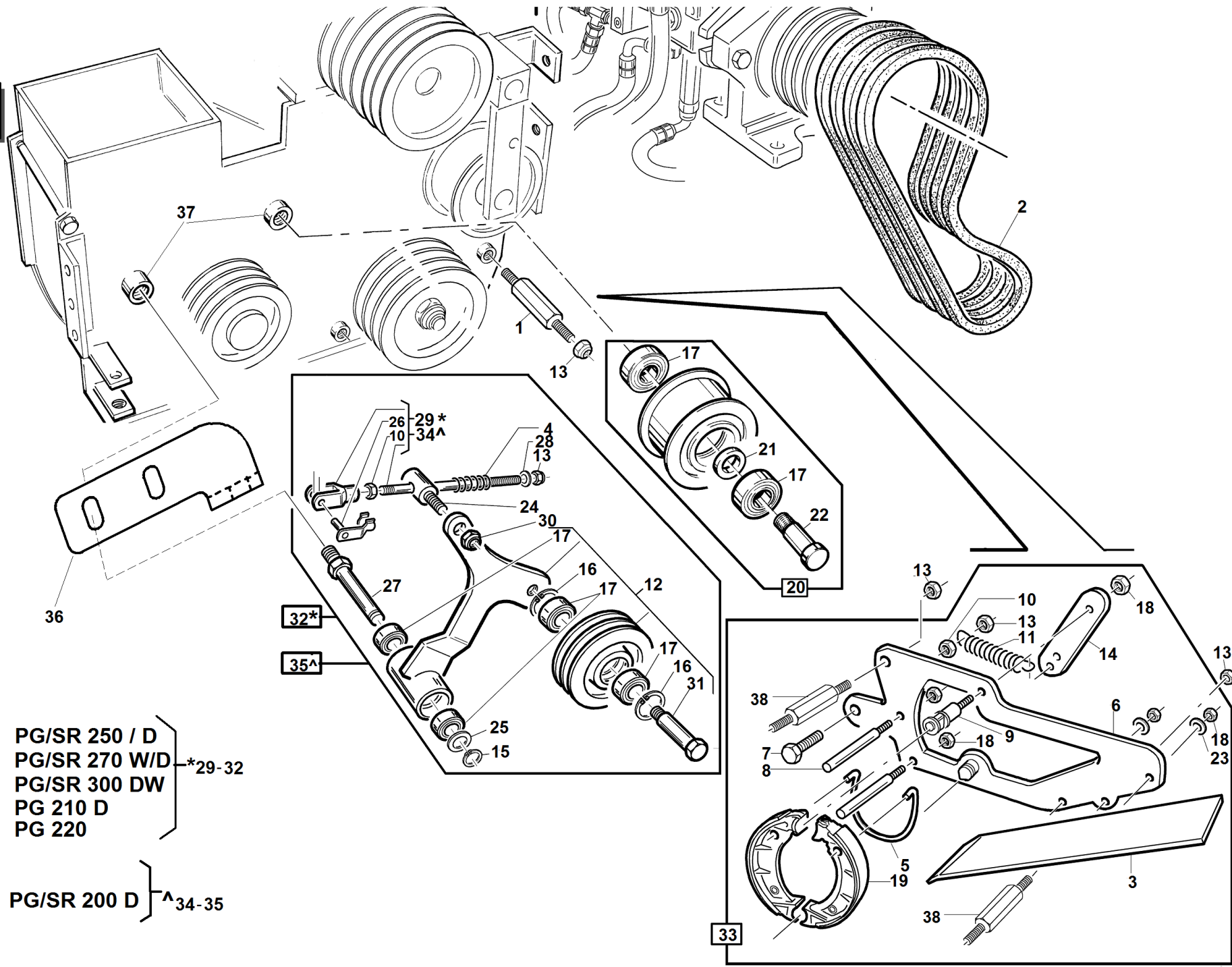
S/N

→ **0603001 ÷ 0612004** ←

REF.08 - 00555501009

#	P/N	DESCRIPTION	PG/SR-W
1	00111000139	SEGER TIPO E X D.35	
2	00111650026	SEGER TIPO I x D.72 UNI 7437	
3	00777100055	CUSCINETTO CLA 6207 35x72x17	
4	95303000004	ALBERO POMPA	
5	00111900007	LINGUETTA A 6X6X40 UNI 6604	
6	95303000003	SUPPORTO POMPA	
7	PZ95049391200	FASCIA CIRCOLARE TURB.D=300 COMPL.	
9	00777100054	CUSCINETTO RULLI CLA NJ 2205 EC 25X52X18	
10	00111960002	GRANO M8X16 UNI 5927	
11	00111650009	SEGER TIPO I X D.52 UNI 7437	
12	00111650037	SEGER TIPO E X Ø25 UNI 7435	
13	00777250026	ANELLO TCP POLIACRILICO 25X52X10	
14	00111700006	SPINA EL SPIROL D.6X28 UNI6875	
15	95302101100	LEVA TENDITORE PDP-TURBINA COMPLETA ZNT	
16	95029000022	MOLLA TRAZIONE DISCO	
17	95302100009	PERNO	
18	95001000060	BOCCOLA IN OTTONE	
19	95049391600	LEVA TENDICING. PDP TURB.D=300 COMP	
20	00111000155	DADO UNI 5588 M6 6S ZNT	
21	00111000061	ROSETTA Ø 8,4X24 SP.2 ZNT	
22	95001000031	MOLLA INNESTO PDP (art.1820)	
23	95049000024	GUARNIZIONE CAMINO	
24	00111250014	DADO AUTOB.UNI 7473 M8 10S	
25	00111300052	VITE TE UNI 5739 M8 X30 12.9 ZNT	
26	95302101400	LAMA SUPPORTO TURBINA COMPLETA CAT	
27	00777100005	CUSCINETTO CLA 6202 2RS- 15X35X11	
28	95599580000	PULEGGIA RITEGNO CINGHIE PREMONTATA	
29	95029000023	DISTANZIALE 15,5X20 L=12,2	
30	95029000011	PERNO FILETTATO M14X1,5	
31	00111250003	DADO AUTOB.UNI 7474 M16 6S	
32	95302100004	PULEGGIA PDP A 4 GOLE D=137	
33	00777100020	CUSCINETTO CLA 6204 2RS- 20X47X14	
34	00111000174	LINGUETTA A 6X6X30	
35	95302101600	TUBO SUPPORTO PDP PREMONTATO	
37	00111000057	SEGER TIPO E X D.20 UNI 7435	
38	95302100007	PULEGGIA TURBINA A 4 GOLE	
39	95029100001	MOZZO GIRANTE TURBINA D=240	
40	00111350012	VITE TSPEI M10X18 10.9 UNI 5933 ZNT	
41	00111000076	VITE TE UNI 5739 M10X25 8.8 ZNT	
42	00111250004	DADO AUTOB.UNI 7473 M10 6S	
43	95302100006	PULEGGIA A 6 GOLE	
44	00111250007	DADO AUTOB.UNI 7474 M20X1,5 H=17	
45	00111000095	DADO AUTOB.UNI 7474 M8 6S	
46	95302101500	PIASTRA FRONTALE TURBINA COMPLETA VERN.	
47	95001000066	ANELLO BLOCCAGGIO PULEG.	
48	95302100008	ALBERO TURBINA	
49	PZ95049391300	GIRANTE TURBINA COMP.D=300	
50	00111250003	DADO AUTOB.UNI 7474 M16 6S	
51	95301000019	SUPPORTO INFERIORE TURBINA	
52	00111450001	VITE F/R M8X25 LISCIA ZNT BIANCA	
53	00111000036	INGRASSATORE M6 DIRITTO	
54	00111990117	PROTEZIONE CUSCINETTO 20X47X5	
55	00777230019	GUARNIZIONE OR D=2.62 - Di=101.28	
57	00111300044	VITE TE UNI 5739 M10X30 12.9 ZNT	
58	00111550005	RONDELLA ELASTICA CONICA M10 DIN6796 ZNT	

PG/SR



PG/SR 250 / D
 PG/SR 270 W/D
 PG/SR 300 DW
 PG 210 D
 PG 220

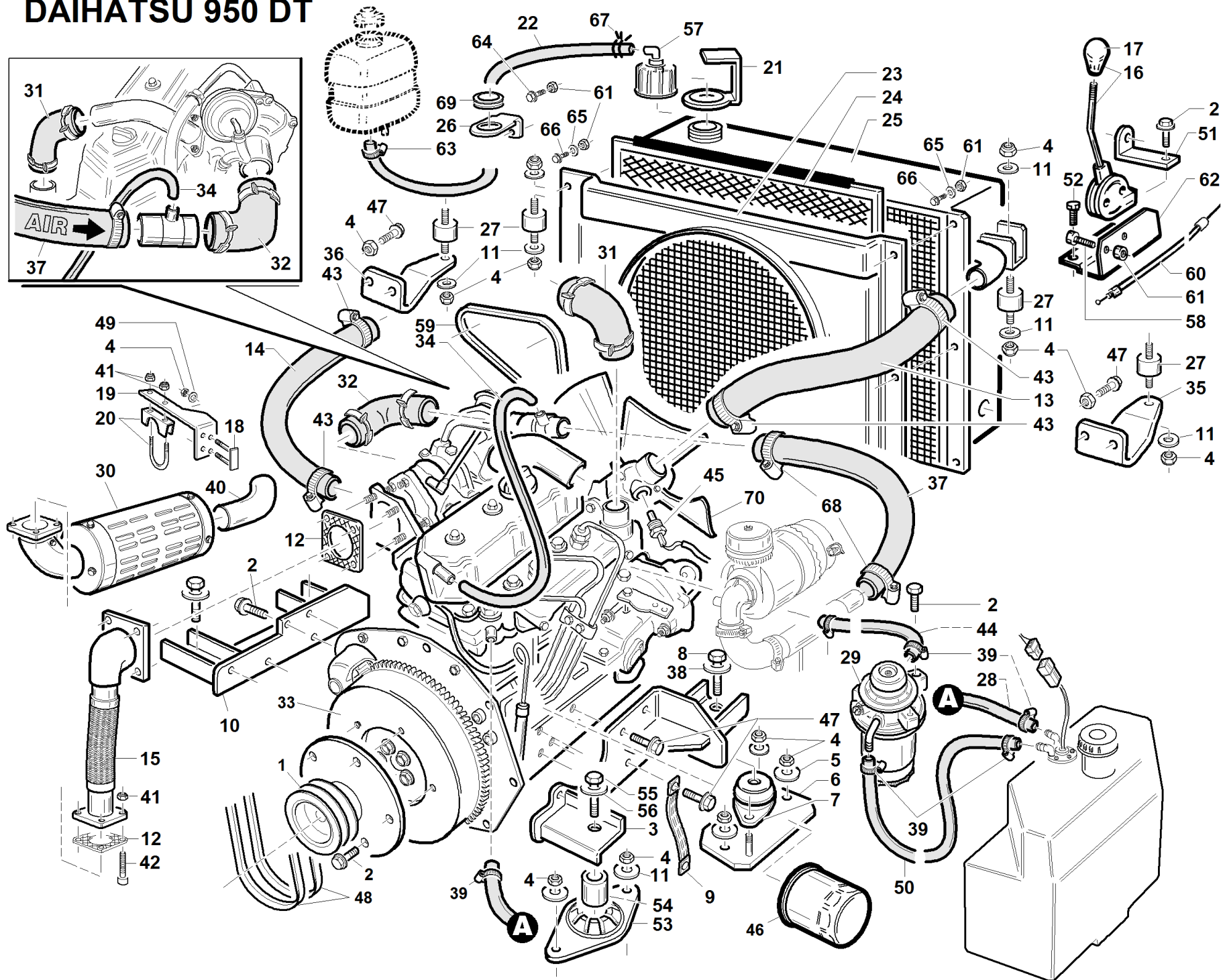
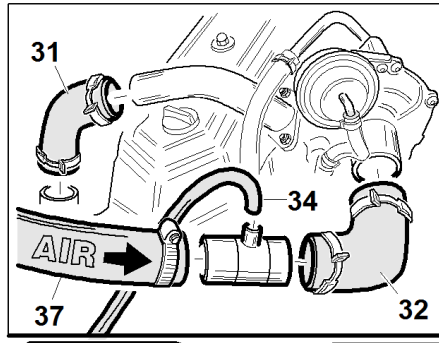
*29-32

PG/SR 200 D } ^34-35

#	P/N	DESCRIPTION	PG/SR
1	95302100001	DISTANZIALE FILETTATO	
2	00111980006	"CINGHIA""GATES""PoweRated 4L 6853"	
3	95301220000	PIATTO RITEGNO CINGHIE COMPLETO ZNT	
4	95201000006	MOLLA CINGHIE MOTORE ZNT	
5	00111990112	MOLLA PER FRENO A TAMBURO	
6	95301210000	SUPPORTO FRENO COMPLETO ZNT	
7	00111000033	VITE TE UNI 5739 M8 X30 8.8 ZNT	
8	95301000014	PERNO RITEGNO CINGHIE	
9	00111990113	OGIVA PER FRENO A TAMBURO	
10	00111000166	DADO AUTOB.UNI 7473 M6 6S	
11	94500000103	MOLLA RICHIAMO FRENO ZINCATA	
12	95302101300	TENDICINGHIA MOTORE PREMONTATO	
13	00111000071	DADO AUTOB.UNI 7473 M8 6S	
14	95301000018	LEVA FRENO TAMBURO ZNT	
15	00111650004	SEEGER TIPO E x Ø15 UNI 7436	
16	00111650005	SEEGER TIPO I X D.35 UNI7437	
17	00777100005	CUSCINETTO CLA 6202 2RS- 15X35X11	
18	00111000166	DADO AUTOB.UNI 7473 M6 6S	
19	00111990111	PATTINO PER FRENO PDP	
20	95302101700	PULEGGIA RITEGNO CINGHIE PREMONTATA	
21	95029000023	DISTANZIALE 15,5X20 L=12,2	
22	95029000012	PERNO FILETTATO M14X1,5 SINISTRO	
23	00111000037	ROSETTA P.6,6X18X2 ZNT UNI 6593	
24	94010820000	TONDO REGISTRO MOLLA PREM.	
25	00111500004	ROSETTA 15,2X28X2,5 ZNT UNI 6592TE	
26	00111000194	PERNO D.8 ART.4521 (CLIPS)	
27	95049390002	PERNO TENDICINGHIA MOTORE	
28	00111000061	ROSETTA Ø 8,4X24 SP.2 ZNT	
29	94500730000	ASTA LEVA TENDICINGHIA GR.IDRO PREM	
30	00111000080	DADO AUTOB.UNI 7474 M10 6S	
31	95049392101	PERNO FILETTATO M14X1.5	
32	95599600000	KIT TENDICINGHIA MOTORE PG DAIHATSU	
33	95301330000	FRENO LAME A TAMBURO PREMONTATO	
34	95598120000	ASTA LEVA TENDICING.GR.IDRO PREM. KUBOTA	
35	95599260000	KIT TENDICINGHIA MOTORE PG KUBOTA	
36	95301000003	SUPPORTO ASTA TENDICINGHIA ZNT	
37	95302101404	BOCCOLA LAMA SUPPORTO TURBINA	
38	95302100001	DISTANZIALE FILETTATO	

DAIHATSU 950 DT

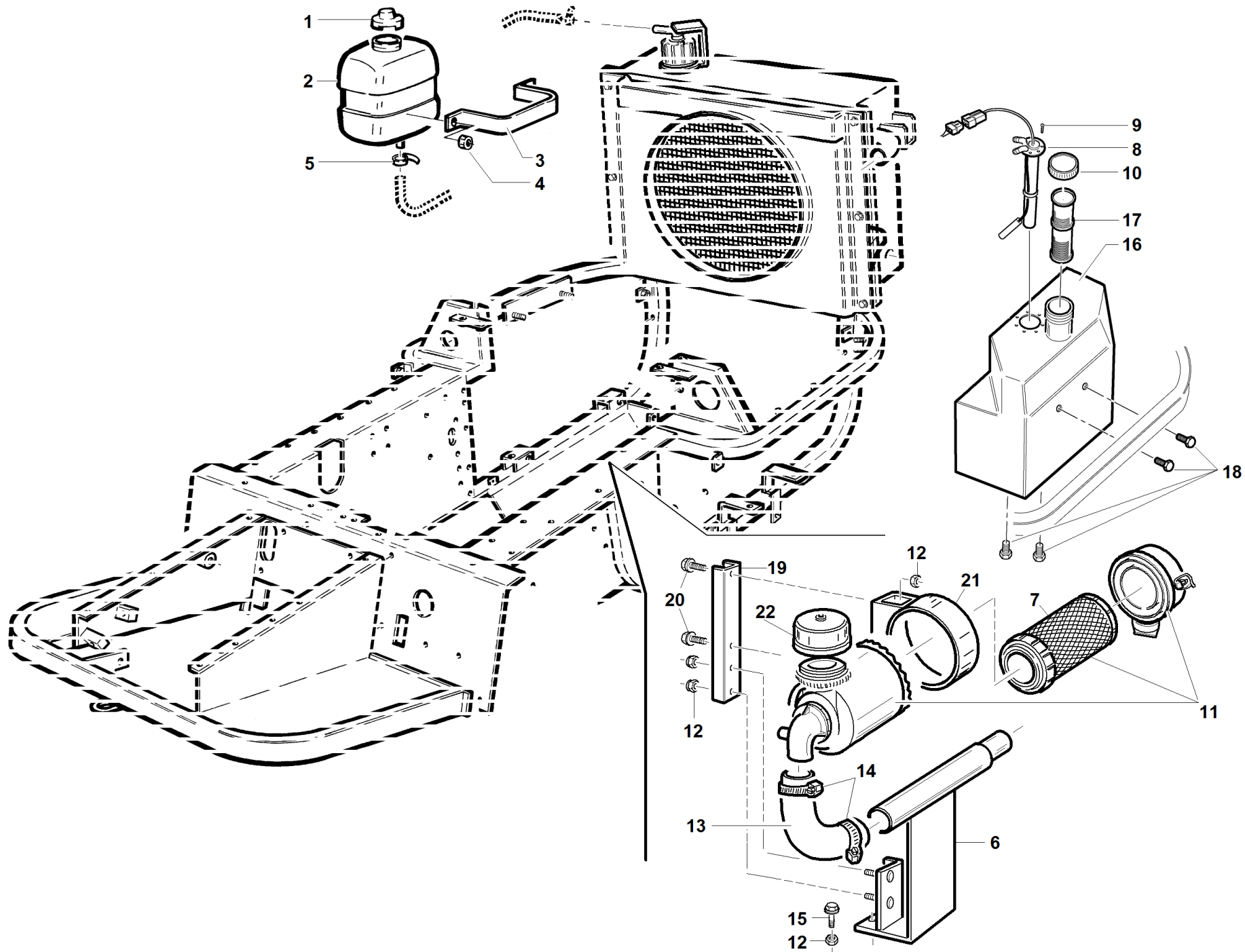
PG/SR-W



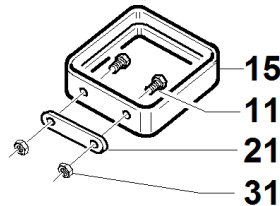
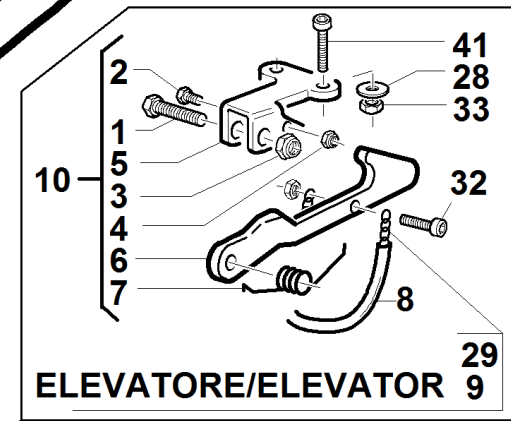
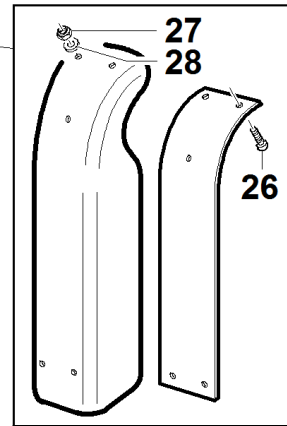
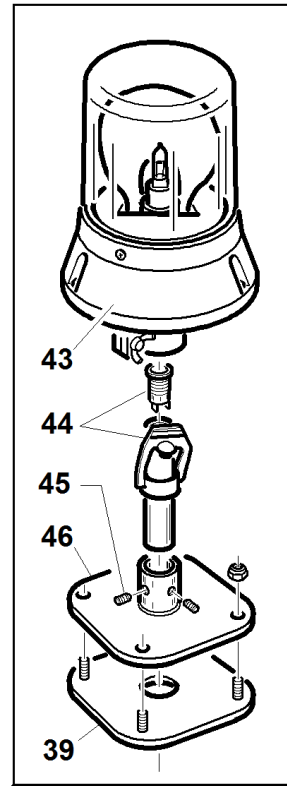
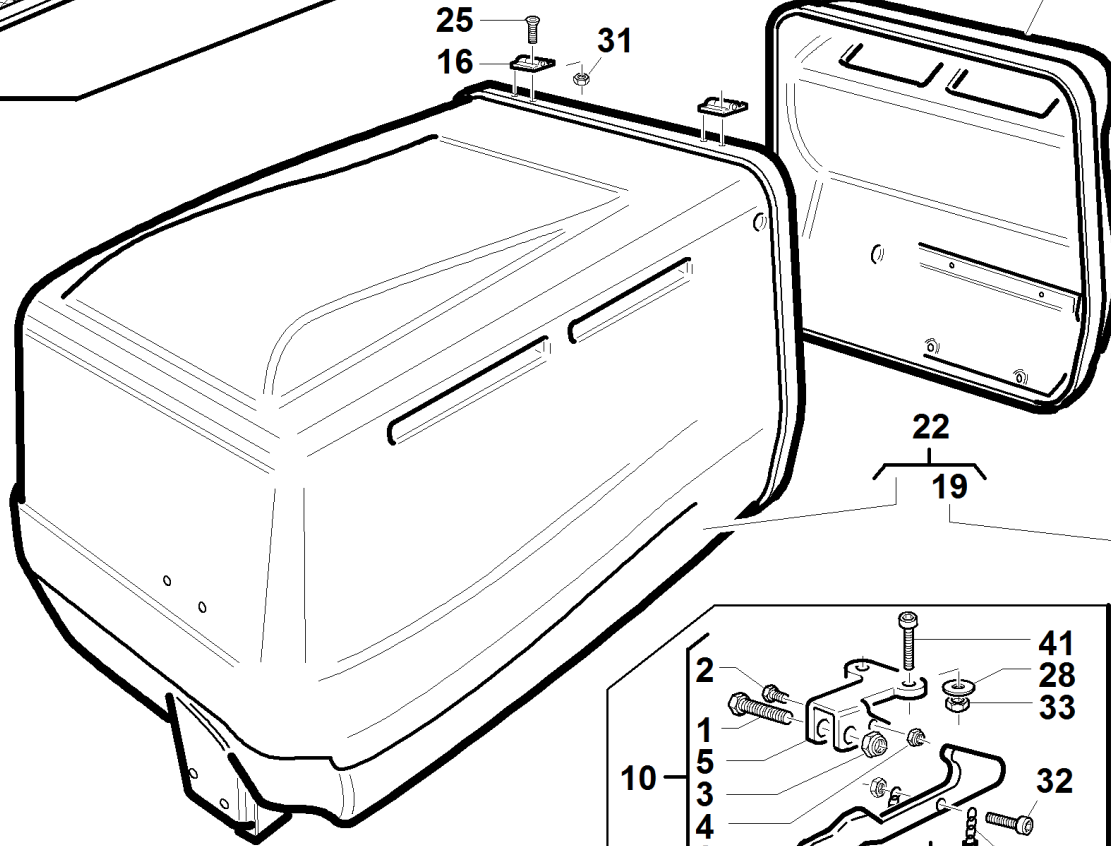
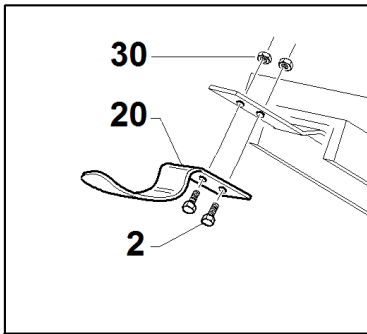
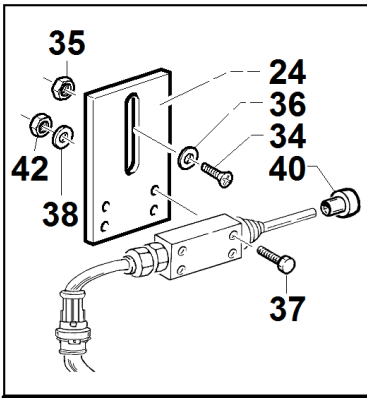
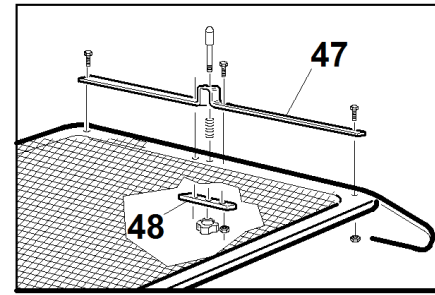
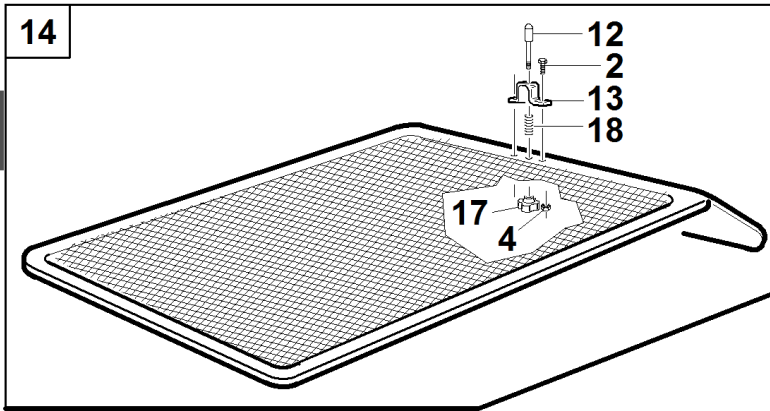
#	P/N	DESCRIPTION	PG/SR-W	REF. 10 - 00555501013
1	95304000003	PULEGGIA MOTORE DAIHATSU		
2	00111450003	VITE F/R M8X20 8.8 LISCIA ZNT BIAN.		
3	95304110000	SUPPORTO SX COMPLETO MOTORE DAIHATSU ZNT		
4	00111000071	DADO AUTOB.UNI 7473 M8 6S		
5	00111000132	ROSETTA P. D.8,4X32X2,5 ZNT		
6	95124210000	PIASTRA SUPPORTO SILENT-B.COMP. ZNT		
7	00111970104	ANTIVIBRANTE MOTORE -RAEM 60-		
8	00111300041	VITE TE UNI 5739 M12X35 8.8 ZNT		
9	00777800052	TRECCIA DI MASSA mm210		
10	95304100000	SUPPORTO DX COMPLETO MOTORE DAIHATSU ZNT		
11	00111000061	ROSETTA Ø 8,4X24 SP.2 ZNT		
12	00111990114	GUARN. COLLETTORE MARMITTA DAIHATSU		
13	95304000007	MANICOTTO OUT RADIATORE Ø25 L=550mm		
14	95304000006	MANICOTTO IN RADIATORE Ø25 L=310mm		
15	95304120000	COLLETTORE MARMITTA COMPLETO		
16	95049171000	LEVA ACCELERATORE COMPL.PIEGATA		
17	00111990034	POMELLO TONDO M8 -1AC02005-		
18	95124160000	PIASTRINA FISS. MARMITTA COMP. ZNT		
19	95124000008	STAFFA SUPPORTO MARMITTA ZNT		
20	00111810025	FASCETTA MARMITTA Ø42 COMPL.		
21	95304000012	PROTEZIONE TAPPO RADIATORE ZNT		
22	95124000017	TUBO SERBATOIO RECUPERO ACQUA		
23	95303000056	CONVOGLIATORE SCAMBIATORE		
24	95303210000	RETE RADIATORE COMPLETA		
25	95303000020	SCAMBIATORE COMBINATO		
26	95303000063	SUPPORTO TUBO ACQUA ZNT		
27	00111970119	TAMPONE ANTVIBR.M8 H=20 207/170		
28	95304000010	TUBO RITORNO GASOLIO		
29	00777650061	FILTRO GASOLIO DAIHATSU		
30	95599000043	MARMITTA DAIHATSU		
31	95599000040	MANICOTTO ASPIRAZIONE OUT COMPRESSORE		
32	95599000041	MANICOTTO ASPIRAZIONE IN COMPRESSORE		
33	00777700025	MOTORE DAIHATSU 950DT		
34	95599000039	TUBO SFIATO MOTORE		
35	95303000023	SUPPORTO RADIATORE SX ZINCATO		
36	95303000022	SUPPORTO RADIATORE DX ZINCATO		
37	95304000008	TUBO ASP. ARIA F.B. SPIRALHOSE Ø35 L=635		
38	00111550003	ROSETTA ELASTICA M12 UNI 1751		
39	00111810010	FASCETTA 10-16 TIPO NORMA		
40	95304000004	TERMINALE MARMITTA DAIHATSU		
41	00111250018	"DADO""CONEKLOK"" M8 ZTR DIN 980 ZNT"		
42	00111400022	V.BRUG. M8X35 TUTTO FILETTO 8.8 ZNT		
43	00111810033	FASCETTA INOX 25-40		
44	95304000011	TUBO GASOLIO FILTRO-MOTORE		
45	00777800123	SENSORE TEMPERATURA ACQUA		
46	00777650062	FILTRO OLIO MOTORE DAIHATSU		
47	00111450001	VITE F/R M8X25 LISCIA ZNT BIANCA		
48	95598530000	KIT COPPIA CINGHIE QUAD PAWER III XPA932		
49	00111000037	ROSETTA P.6,6X18X2 ZNT UNI 6593		
50	95304000009	TUBO GASOLIO SERBATOIO-FILTRO		
51	PZ95514111301	SUPPORTO PIEGATO PROTEZ. CORONA ZNT		
52	00111000014	VITE TSPEI M6X16 ZNT		
53	00111970050	TASSELLO ANTIVIB. MOTORE 4896106		
54	95124220001	DISTANZIALE Ø25X8 L=27		
55	00111000031	VITE TE UNI 5739 M8 X65 8.8 ZNT		
56	00111000179	ROSETTA GROWER M.8 ZNT		
57	95599000042	TAPPO RADIATORE		
58	00111000059	VITE F/R M8X14 LISCIA ZNT BIANCA		
59	00111980033	CINGHIA ALTERNATORE DAIHATSU		

#	P/N	DESCRIPTION	PG/SR-W
60	95304000002	CAVO ACCELERATORE MOTORE DAIHATSU	
61	00111000166	DADO AUTOB.UNI 7473 M6 6S	
62	PZ95060000003	SUPPORTO ACCELERATORE DIESEL ZNT	
63	00111810008	FASCETTA 12-20 TIPO NORMA	
64	00111450005	VITE F/R M6X16 LISCIA DACROMET	
65	00111500009	ROSETTA P.6,4X12,5X1,6 UNI 6592 ZNT	
66	00111300011	VITE TE UNI 5739 M6 X20 8.8 ZNT	
67	00111810015	FASCETTA FILO D.1,5 D.I.12,6-82031-	
68	00111810034	FASCETTA INOX 32-50	
69	00111970185	PASSACAVO Øe20/22 - Øi15	
70	00111970194	VENTOLA SOFFIANTE Ø310 DAIHATSU	

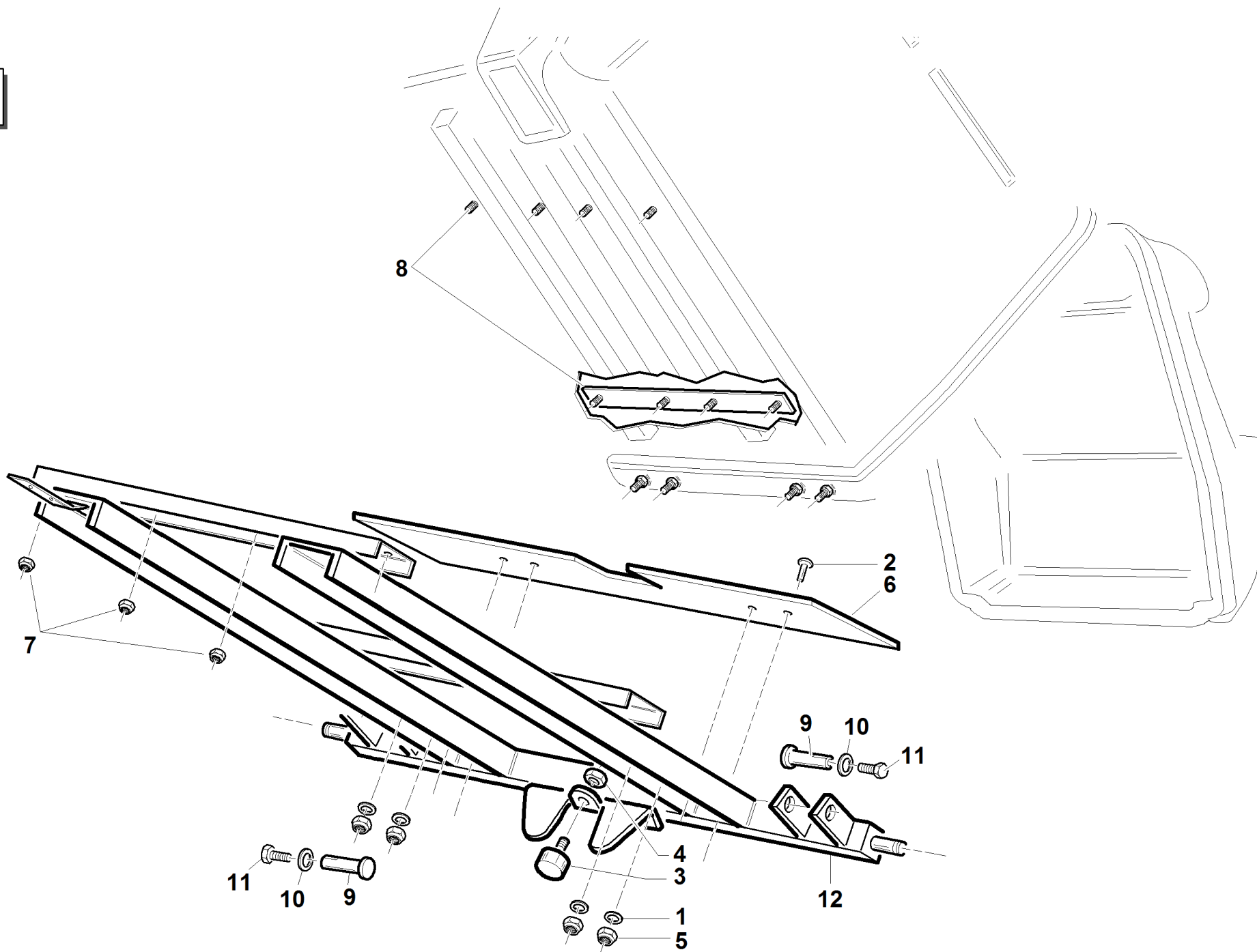
PG/SR



#	P/N	DESCRIPTION	PG/SR
1	00111970061	TAPPO X SERBAT. RECUP. ACQUA-DIESEL	
2	00111970060	SERBAT. RECUPERO ACQUA PER DIESEL	
3	PZ95049000013	FASCETTA FIS.SERBATOIO REC.LIQUID	
4	00111000166	DADO AUTOB.UNI 7473 M6 6S	
5	00111810008	FASCETTA 12-20 TIPO NORMA	
6	95301300000	TUBO ASPIRAZIONE ARIA COMPLETO VERN.	
7	00777650042	CARTUCCIA FILTRO ARIA DONALDSON	
8	00777800189	INDICATORE RISERVA	
9	00111450017	VITE F/R TBEI M4X18 ZNT BIANCA	
10	00111970155	TAPPO SERB. CON VALVOLA 023202-4	
11	00777650057	FILTRO ARIA DONALDSON	
12	00111000071	DADO AUTOB.UNI 7473 M8 6S	
13	95301000029	MANICOTTO FILTRO ARIA	
14	00111810012	FASCETTA 40-60 TIPO NORMA	
15	00111450003	VITE F/R M8X20 8.8 LISCIA ZNT BIAN.	
16	95200000005	SERBATOIO PG	
17	00111970052	FILTRO CARBURANTE D.42-HP96E00000-	
18	00111000059	VITE F/R M8X14 LISCIA ZNT BIANCA	
19	95301000028	SUPPORTO FILTRO VERNICIATO	
20	00111450001	VITE F/R M8X25 LISCIA ZNT BIANCA	
21	00777650043	STAFFA SUPPORTO FILTRO ARIA	
22	00777650059	PREFILTRO ARIA CICLONE	

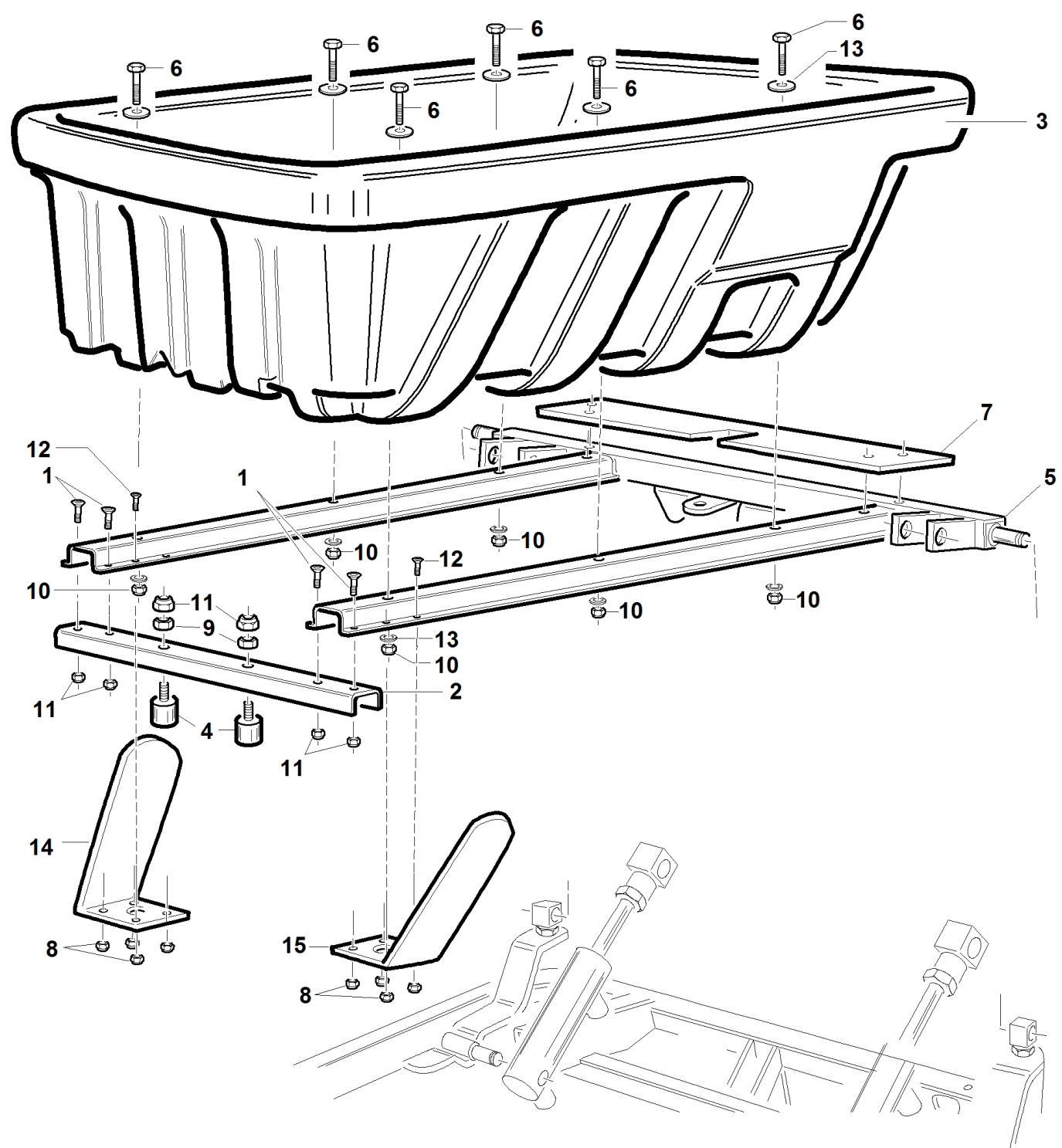


#	P/N	DESCRIPTION	PG/SR
1	00111300043	VITE TE UNI 5737 M10X45 8.8 ZNT	
2	00111450005	VITE F/R M6X16 LISCIA DACROMET	
3	00111250004	DADO AUTOB.UNI 7473 M10 6S	
4	00111000035	DADO AUTOB.UNI 7474 M6 6S	
5	95101000004	SUPPORTO GANCIO CESTO ZNT	
6	95075000001	GANCIO CHIUSURA COPERCHIO CESTO	
7	95101000005	MOLLA GANCIO CESTO ZNT	
8	00111970137	TUBETTO IN PVC Ø12 AUTOESTING.L=390	
9	95091000001	CATENA TIPO N°14-28 MAGLIE L=420	
10	95075110000	GANCIO CORTO CHIUSURA CESTO PREM.	
11	00111350027	VITE TSPEI M5x25 10.9 UNI 5933 ZNT	
12	95140000002	PERNO FILETTATO M6 CESTO PG	
13	95140000001	PIATTO FISSAGGIO PERNO	
14	95140000000	GR.RETE ESTRAIBILE P.G. 4 RUOTE	
15	95075100005	GUARNIZIONE BOCCA CESTO	
16	00111970136	CERNIERA IN METALLO NERA 50 x 50 cm	
17	00111970014	POMELLO M6	
18	94010000097	MOLLA PR F.1-8.5-40-11 TDM INOX	
19	95599500000	CAMINO CESTO PG PREMONTATO	
20	95125000006	MOLLA COMANDO MICRO	
21	95208000002	SUPPORTO GUARNIZIONE CESTO	
22	95208120000	CESTO PG PREMONTATO	
23	95208130000	COPERCHIO CESTO PG PREMONTATO	
24	95002000010	SUPPORTO FINECORSIA	
25	00111350011	VITE TSPEI M5X20 8.8 UNI 5933 ZNT	
26	00111450011	VITE F/R TBCF M4X12 ZNT BIANCA	
27	00111250020	DADO AUTOB. M4 UNI 7474 6S	
28	00111500005	ROSETTA P.5,5X15X1,6 UNI 6593 ZNT	
29	95206000001	CATENA TIPO N°14 L=590	
30	00111000166	DADO AUTOB.UNI 7473 M6 6S	
31	00111250012	DADO AUTOB.METB FL CL8 5MA ZNG	
32	00111400029	VITE BRUG.M5X25 8.8 UNI 5931 ZNT	
33	00111000183	DADO AUTOB.UNI 7473 M5 6S	
34	00111000001	VITE SP.M8X20	
35	00111000095	DADO AUTOB.UNI 7474 M8 6S	
36	00111000082	DADO UNI 5588 M8 6S ZNT	
37	00111350031	VITE TSPEI M4X35 8.8 UNI 5933 ZNT	
38	00111500010	ROSETTA P.4,3X9X0,8 UNI 6592 ZNT	
39	PZ95113110000	PIASTRA LAMPEGGIANTE COMPLETA ZNT	
40	00111970042	POMELLO FEMMINA THB20M4	
41	00111400008	VITE BRUG.M5X20 8.8 UNI 5931 ZNT	
42	00111250006	DADO AUTOB.UNI 7473 M4 6S	
43	00777801400	LAMPADA ROTANTE 35.209.000.13	
44	00777801500	PIANTONE LAMP.R.35.001.420.01	
45	00111960003	GRANO M6X10 UNI 5927	
46	PZ95113100000	SUPPORTO LAMPEGGIANTE COMPLETO ZNT	
47	95140000003	SUPPORTO GUIDA PERNO (CATAFORESI)	
48	95140000004	STAFFA FISSAGGIO PERNO (CATAFORESI)	



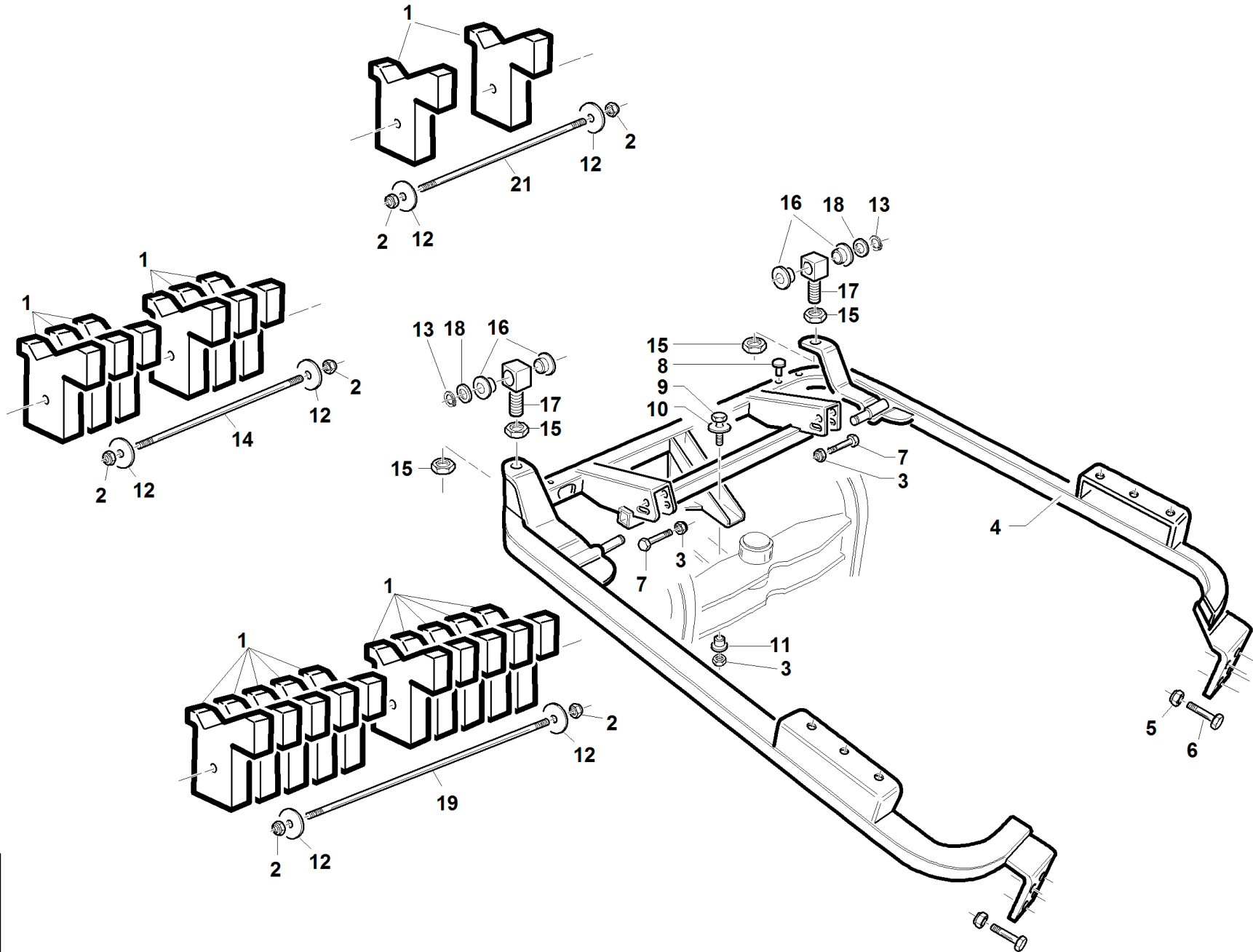
#	P/N	DESCRIPTION	PG/SR
1	00111000087	ROSETTA P.8,4X15.6X1,5 ZT	
2	00111800004	RIVETTO Ø.4,8X16 TESTA Ø.16 AL.NERO	
3	00111970005	TAMPONE ANTIVIBRANT.M10	
4	00111250004	DADO AUTOB.UNI 7473 M10 6S	
5	00111000095	DADO AUTOB.UNI 7474 M8 6S	
6	95205000002	LAMIERA PROTEZIONE CESTO VERNICIATA	
7	00111250010	DADO AUTOB.UNI 7474 M5 6S	
8	95208200000	LAMIERINO RINFORZO CESTO COMPLETO	
9	94010000060	PERNO FISSAGGIO CILINDRO RIBALTAMENTO	
10	00111000061	ROSETTA Ø 8,4X24 SP.2 ZNT	
11	00111000081	VITE TE UNI 5739 M8 X16 8.8 ZNT	
12	95208150000	SUPPORTO CESTO COMPLETO	

SR



#	P/N	DESCRIPTION	SR
1	00111000072	VITE TSPEI M8X14 8.8 UNI 5933	
2	95207000002	TRAVERSA SUPPORTO CASSONETTO	
3	95170100000	CASSONETTO ROTAZIONALE	
4	00111970096	ANTIVIB.CIL.M/F 30X38 M8X23/10 mm	
5	95207150000	SUPPORTO CASSONETTO COMP.VERNICIATO	
6	00111300067	VITE TE UNI 5737 M8x105 8.8 ZNT	
7	95125000007	LAMIERA PROTEZIONE CESTO VERNICIATA	
8	00111000166	DADO AUTOB.UNI 7473 M6 6S	
9	00111000082	DADO UNI 5588 M8 6S ZNT	
10	00111000071	DADO AUTOB.UNI 7473 M8 6S	
11	00111000095	DADO AUTOB.UNI 7474 M8 6S	
12	00111350023	VITE TSPEI M6X20 10.9 UNI 5933 ZNT	
13	00111000132	ROSETTA P. D.8,4X32X2,5 ZNT	
14	95207000005	SUPPORTO CASSONETTO DX	
15	95207000006	SUPPORTO CASSONETTO SX	

PG-SR



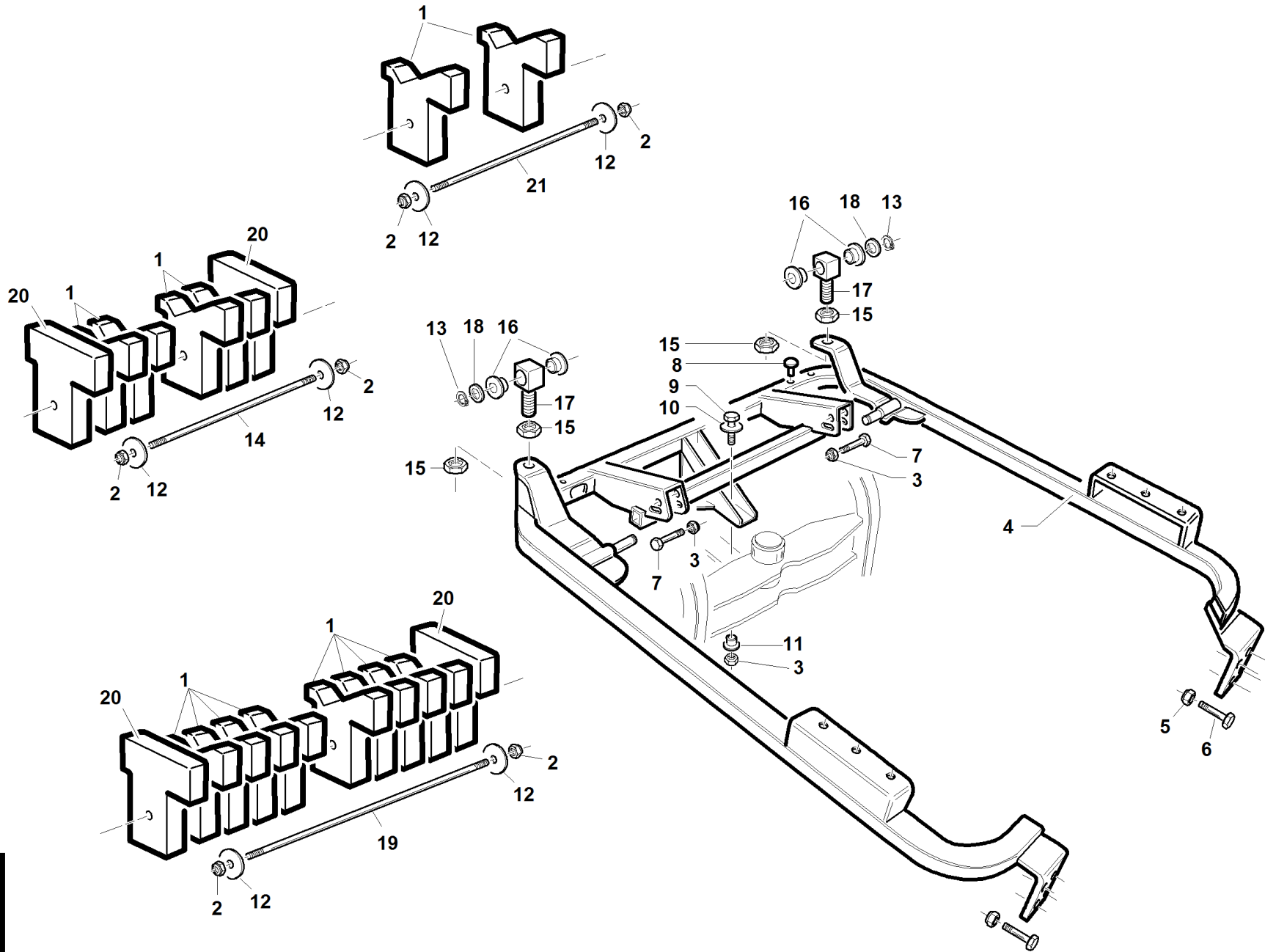
S/N

→ **0610034**

→ **06410710**

REF. 15 - 00555501039

#	P/N	DESCRIPTION	PG-SR
1	95049000037	ZAVORRA POSTERIORE PG VERNICIATA	
2	00111000071	DADO AUTOB.UNI 7473 M8 6S	
3	00111250008	DADO AUTOB.UNI 7473 M12 6S	
4	95062130000	TELAIO PERIMETRALE COMPLETO	
5	00111250004	DADO AUTOB.UNI 7473 M10 6S	
6	00111300018	VITE TE UNI 5739 M10X35 8.8 ZNT	
7	00111300010	VITE TE UNI 5737 M12X70 8.8 ZNT	
8	00111970168	TAPPO DI CHIUSURA FORO Ø 9	
9	00111000024	VITE TE UNI 5739 M12X40 8.8	
10	00111500003	ROSETTA P.12X36X3 ZNT	
11	95006000015	BOCCOLA PORTACOLTELLO-GF0140001010-	
12	00111000132	ROSETTA P. D.8,4X32X2,5 ZNT	
13	00111000057	SEEGER TIPO E X D.20 UNI 7435	
14	95139000003	BARRA FISSAGGIO ZAVORRE L=270	
15	00111150011	DADO UNI 5589 M20X1,5 6S ZNT	
16	00111990017	BOCCOLA FRIMET TFF 20/16,5	
17	94013000015	BOCCOLA FILETTATA M20X1,5 MASCHIO	
18	00111500011	ROSETTA P.20x30x2 ZNT	
19	95153000002	BARRA FISSAGGIO ZAVORRE L=420	
21	95303000064	BARRA FISSAGGIO ZAVORRE L=190	



S/N

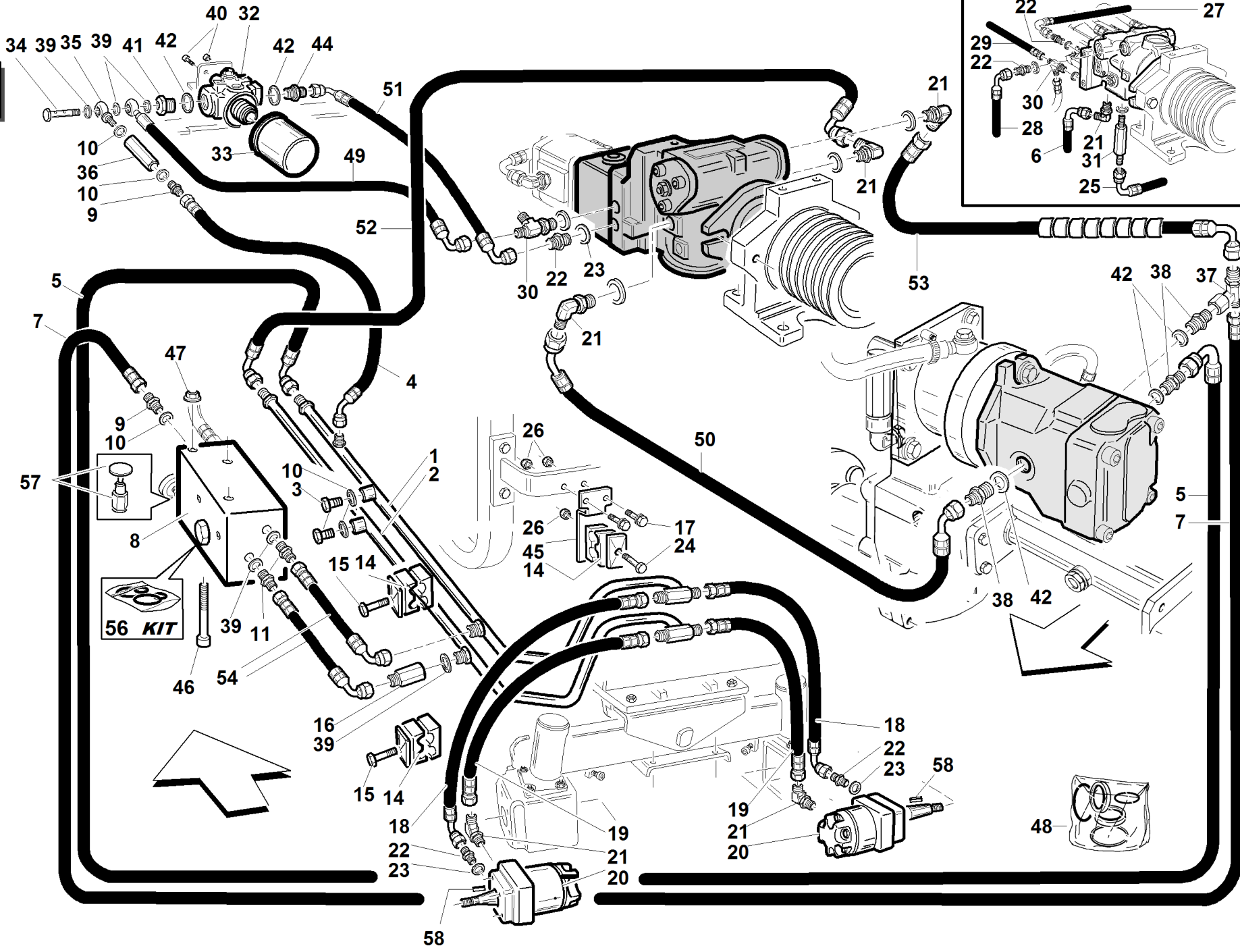
→ **0603001 ÷ 0610033** ←

→ **06401807 ÷ 06410709** ←

REF. 15 - 00555501018

#	P/N	DESCRIPTION	PG-SR
1	95049000037	ZAVORRA POSTERIORE PG VERNICIATA	
2	00111000071	DADO AUTOB.UNI 7473 M8 6S	
3	00111250008	DADO AUTOB.UNI 7473 M12 6S	
4	95062130000	TELAIO PERIMETRALE COMPLETO	
5	00111250004	DADO AUTOB.UNI 7473 M10 6S	
6	00111300018	VITE TE UNI 5739 M10X35 8.8 ZNT	
7	00111300010	VITE TE UNI 5737 M12X70 8.8 ZNT	
8	00111970168	TAPPO DI CHIUSURA FORO Ø 9	
9	00111000024	VITE TE UNI 5739 M12X40 8.8	
10	00111500003	ROSETTA P.12X36X3 ZNT	
11	95006000015	BOCCOLA PORTACOLTELLO-GF0140001010-	
12	00111000132	ROSETTA P. D.8,4X32X2,5 ZNT	
13	00111000057	SEEGER TIPO E X D.20 UNI 7435	
14	95139000003	BARRA FISSAGGIO ZAVORRE L=270	
15	00111150011	DADO UNI 5589 M20X1,5 6S ZNT	
16	00111990017	BOCCOLA FRIMET TFF 20/16,5	
17	94013000015	BOCCOLA FILETTATA M20X1,5 MASCHIO	
18	00111500011	ROSETTA P.20x30x2 ZNT	
19	95153000002	BARRA FISSAGGIO ZAVORRE L=420	
20	95207000003	ZAVORRA POSTERIORE PG VERN. 8.6KG	
21	95303000064	BARRA FISSAGGIO ZAVORRE L=190	

PG-SR - W



#

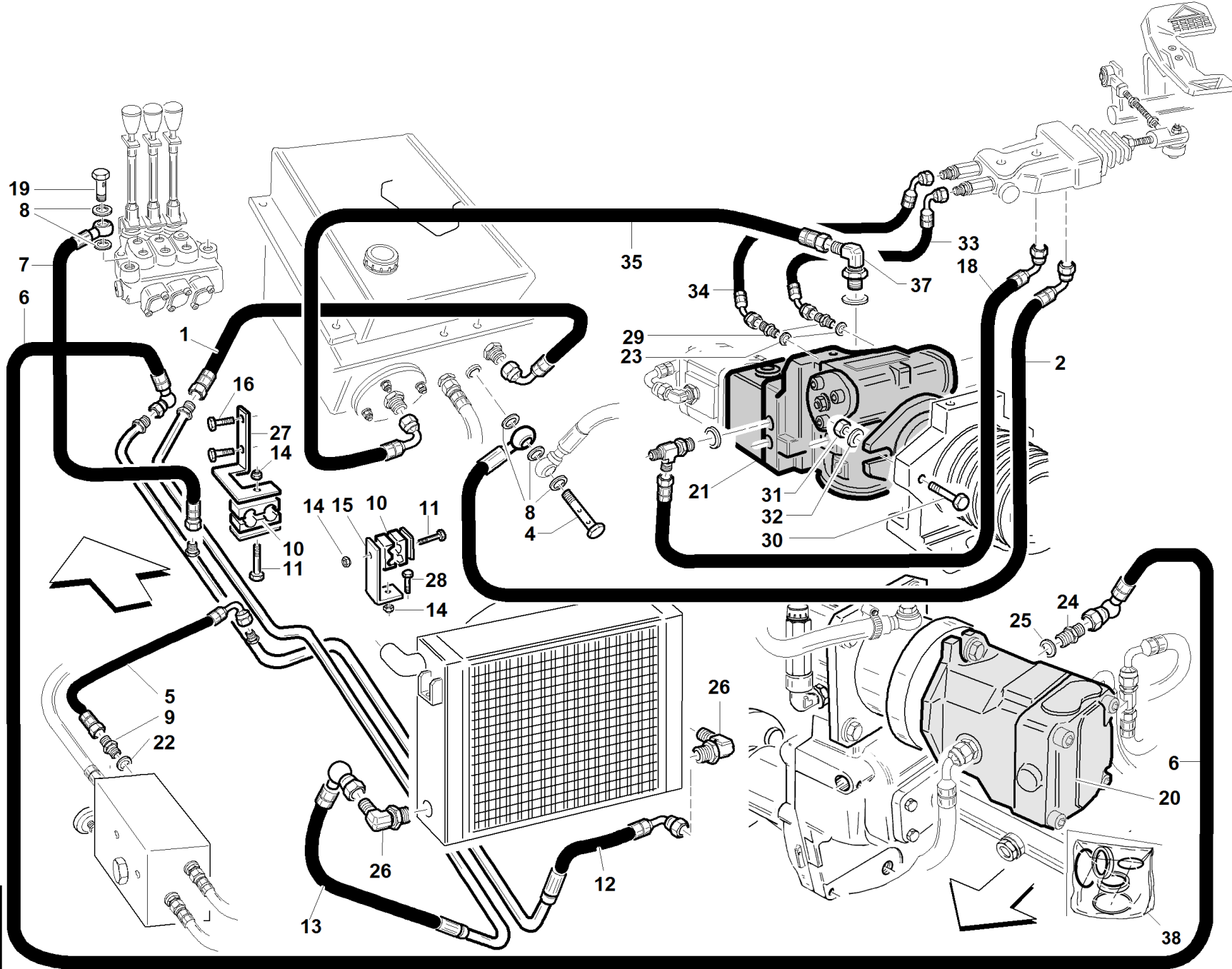
P/N

DESCRIPTION

PG-SR - W

REF. 16-00555501019

1	95303000050	TUBO INTERMEDIO Ø20X2.5		
2	95303000051	TUBO RITORNO Ø20X2.5		
3	00777600050	TAPPO M 1/4		
4	95303000035	TUBO 1/4 1SC		
5	95303000046	TUBO 5/8 2SN		
6	95303000045	TUBO 5/8 2SN		
7	95303000032	TUBO 1/4 1SC		
8	95303000026	BLOCCO VALVOLA 4WD		
9	00777600043	NIPPLI 1/4 x 1/4		
10	00777600001	RANELLE RAME GAS 1/4 Øe.19 SP=1.5		
11	00777600015	NIPPLO M-M 3/8		
14	00111990109	COPPIA COLLARE PFC-DOPPIO Ø20		
15	00111300015	VITE TE UNI 5739 M8 X 50 8.8 ZNT		
16	00777600140	COLONNETTA M/F BSP 3/8 H=33 (ESAGONO)		
17	00111450001	VITE F/R M8X25 LISCIA ZNT BIANCA		
18	95303000044	TUBO 3/8 2SC F1/2-F90°1/2 L=670 +SPIRALE		
19	95303000043	TUBO 3/8 2SC F1/2-F1/2 L=560 + SPIRALE		
20	95303000018	MOTORE ORBITALE WHITE WG160 DX		
21	00777600124	ADATTATORE ORIENTABILE 90° M/M 1/2		
22	00777600125	NIPPLO 1/2-1/2		
23	00777600128	RONDELLA BONDED 1/2		
24	00111300027	VITE TE UNI 5737 M8 X60 8.8 ZNT		
25	95303000047	TUBO 5/8 2SN CON GUAINA		
26	00111000071	DADO AUTOB.UNI 7473 M8 6S		
27	95303000036	TUBO 3/8 1SN		
28	95303000049	TUBO 5/8 2SN		
29	95303000037	TUBO 3/8 1SN		
30	00777600136	RACCORDO A L ORIENTABILE 3/8		
31	00777600126	COLONNETTA M/M 1/2 ESAGONO H40		
32	95303000021	TESTATA FILTRO		
33	00777650060	FILTRO OLIO IN PRESSIONE		
34	00777600133	BULLONE FORATO DOPPIO 3/8		
35	00777600141	OCCHIO BSP 3/8 FILETTO 1/4 CON BATTUTA		
36	00777600123	VALVOLA DI NON RITORNO 1/4		
37	00777600137	ADATTATORE A T M/F/M GIREVOLE 1/2		
38	00777600130	NIPPLO 3/4-1/2		
39	00777600003	RANELLE RAME 3/8		
40	00111000067	VITE BRUG.M10X20 8.8 UNI 5931 ZNT		
41	00777600132	TAPPO DI RIDUZIONE M3/4 - F3/8		
42	00777600131	RONDELLA BONDED 3/4		
44	00777600135	NIPPLO 3/4-3/8		
45	95303000008	SUPPORTO TUBI MOTORI RUOTE POSTER ZNT		
46	00111400043	VITE TCEI M8X85 8.8 UNI 5931 ZNT		
47	00111250021	DE AUT METB FL ALTI 8MA ZNT		
48	95599680000	KIT PARAOLI MOTORE ORBITALE WHITE RG160		
49	95303000070	TUBO 3/8 1SN F90°3/8-F90°1/4 L=400 180°		
50	95303000071	TUBO 5/8 1SN F90°1/2-F45°1/2 L=500 315°		
51	95303000069	TUBO 3/8 1SN OC3/8-F90°3/8 L=350 0°		
52	95303000073	TUBO 5/8 2SN F90°1/2-F90°1/2 L=570 270°		
53	95303000066	TUBO 5/8 2SN F90°1/2-F1/2 L=560		
54	95303000029	TUBO 3/8 1SC		
56	95598590000	KIT GUARNIZIONI VALVOLA HTC 4WD		
57	95599000092	VALVOLA MCD 28/2202-PBFB + FUNGO ROSSO		
58	95599000051	LINGUETA ORBITALE HRW		

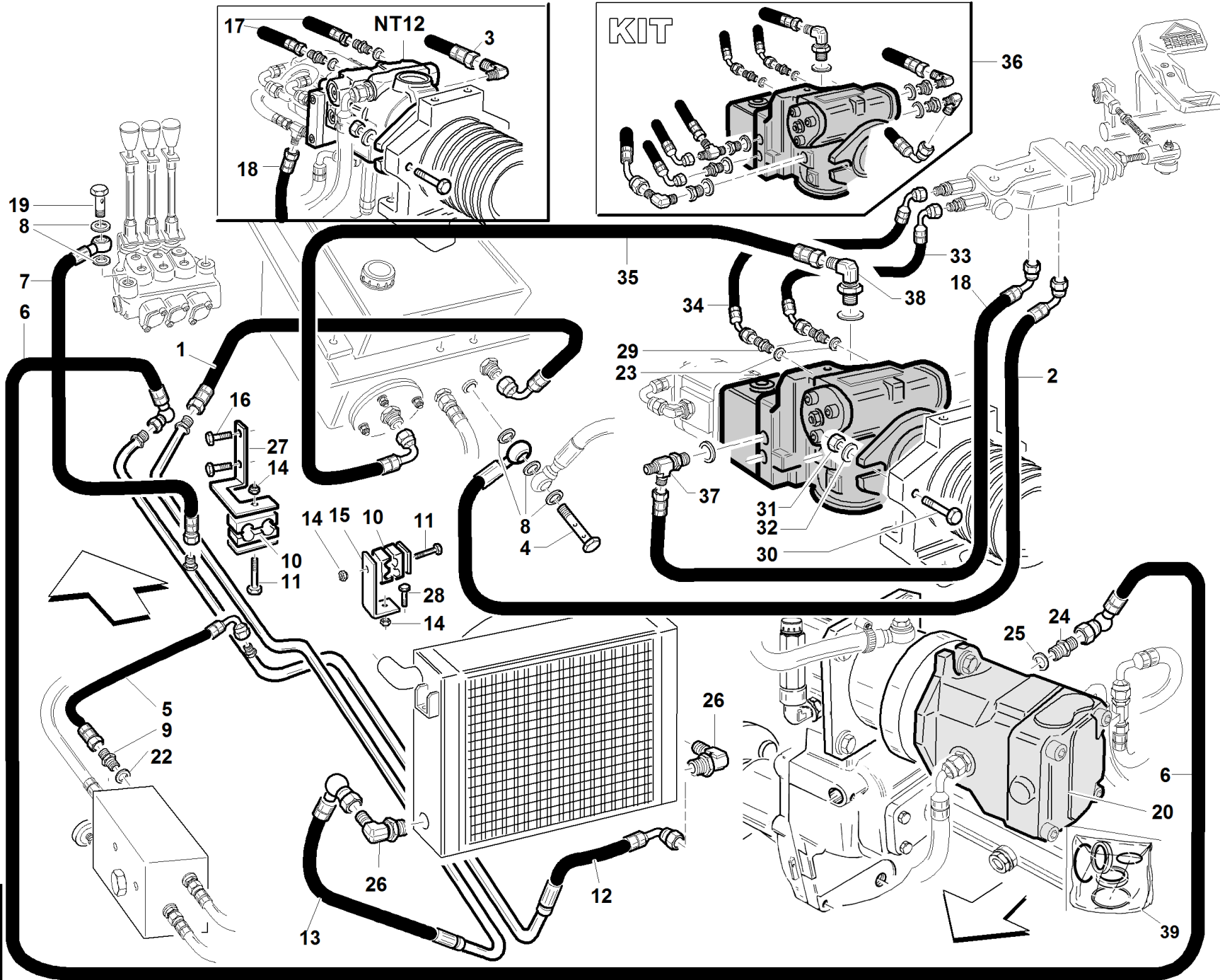


S/N
→0706003

REF. 17 - 00555501042

#	P/N	DESCRIPTION	PG-SR - W
1	95303000077	TUBO 3/4 1SN F3/4-F45°3/4 L=415	
2	95303000039	TUBO 1/4 1SC	
4	00777600133	BULLONE FORATO DOPPIO 3/8	
5	95303000031	TUBO 1/4 1SN	
6	95303000042	TUBO 3/4 1SN	
7	95303000055	TUBO 3/8 1SN	
8	00777600003	RANELLE RAME 3/8	
9	00777600043	NIPPLI 1/4 x 1/4	
10	00111990110	COPPIA COLLARE PFC-DOPPIO Ø22	
11	00111300027	VITE TE UNI 5737 M8 X60 8.8 ZNT	
12	95303000053	TUBO IN SCAMBIATORE Ø22X1.5	
13	95303000076	TUBO OUT SCAMBIATORE Ø22X1.5	
14	00111000071	DADO AUTOB.UNI 7473 M8 6S	
15	95303000028	SUPPORTO COLLARE ZNT	
16	00111000103	VITE TE UNI 5739 M10X30 8.8 ZNT	
18	95303000038	TUBO 1/4 1SC	
19	00777600041	VITE CAVA 3/8	
20	95303000017	MOTORE M4MF21	
21	95303000075	POMPA HP P2	
22	00777600001	RANELLE RAME GAS 1/4 Øe.19 SP=1.5	
23	00777600045	RANELLE RAME 1/8 SP=1,5	
24	00777600129	NIPPLO 3/4-3/4	
25	00777600131	RONDELLA BONDED 3/4	
26	00777600134	ADATTATORE ORIENTABILE 90° M/M 3/4	
27	95303000054	SUPPORTO COLLARE	
28	00111450015	VITE F/R TBCE M8X30 ZNT	
29	00777600127	NIPLES 1/8-1/4	
30	00111300076	VITE TE UNI 5737 M12X60 8.8 ZNT	
31	00111250002	DADO AUTOB.UNI 7474 M12 6S	
32	00111500026	RONDELLA 13X28X5 PR80 BRUNITA	
33	95303000068	TUBO 1/4 1SC F90°1/4-F45°1/8 L=1130 270°	
34	95303000067	TUBO 1/4 1SC F90°1/4-F45°1/8 L=1050 180°	
35	95303000072	TUBO 3/4 1SN F90°3/4-F1/2 L=610	
37	00777600124	ADATTATORE ORIENTABILE 90° M/M 1/2	
38	95598570000	KIT GUARNIZIONI MOTORE M4MF21	

PG-SR - W



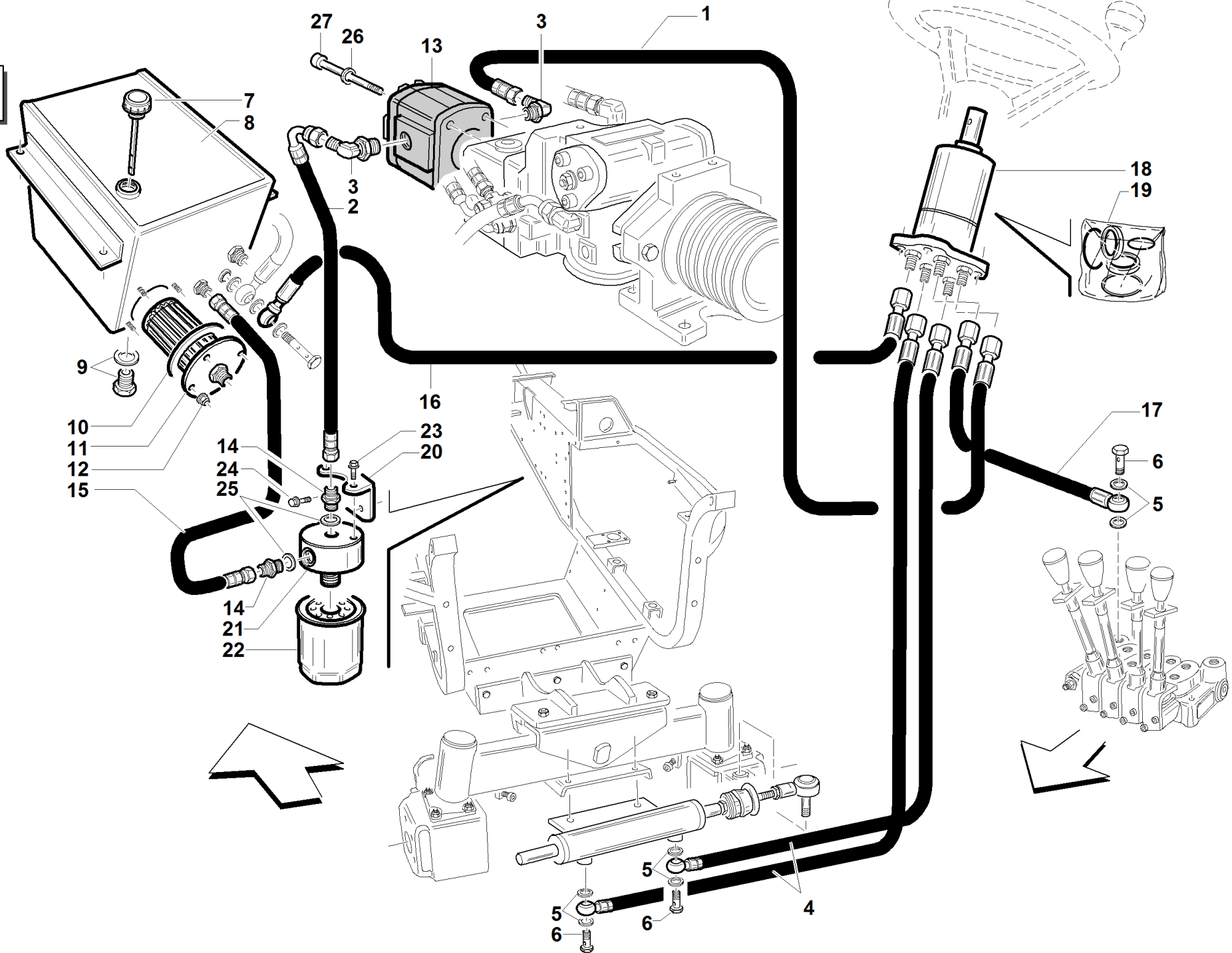
S/N

→ **0603001 ÷ 0706003** ←

REF.17 - 00555501020

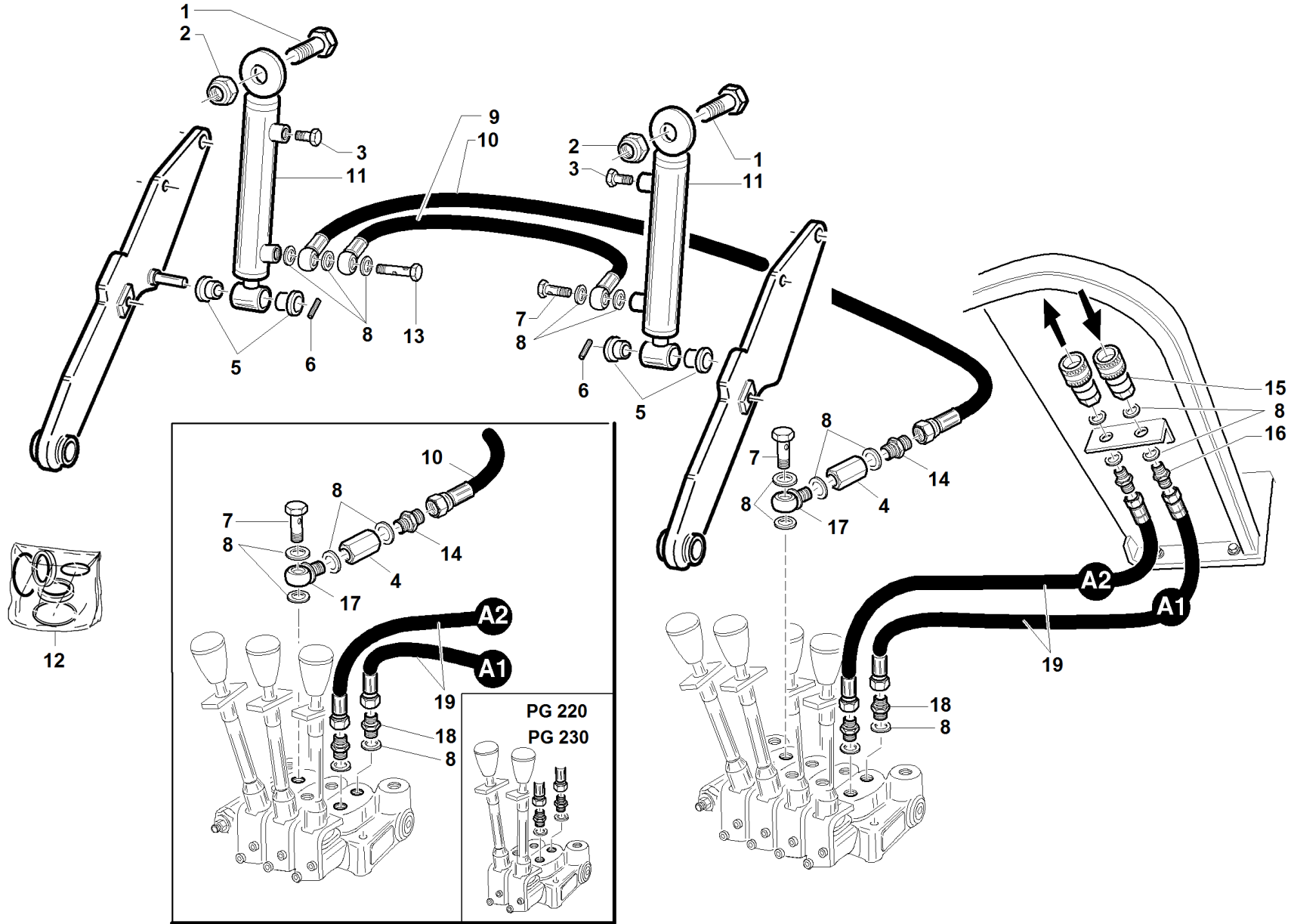
#	P/N	DESCRIPTION	PG-SR - W
1	95303000041	TUBO 3/4 1SN	
2	95303000039	TUBO 1/4 1SC	
3	95303000048	TUBO 3/4 1SN CON GUAINA	
4	00777600133	BULLONE FORATO DOPPIO 3/8	
5	95303000031	TUBO 1/4 1SN	
6	95303000042	TUBO 3/4 1SN	
7	95303000055	TUBO 3/8 1SN	
8	00777600003	RANELLE RAME 3/8	
9	00777600043	NIPPLI 1/4 x 1/4	
10	00111990110	COPPIA COLLARE PFC-DOPPIO Ø22	
11	00111300027	VITE TE UNI 5737 M8 X60 8.8 ZNT	
12	95303000053	TUBO IN SCAMBIATORE Ø22X1.5	
13	95303000052	TUBO OUT SCAMBIATORE Ø22X1.5	
14	00111000071	DADO AUTOB.UNI 7473 M8 6S	
15	95303000028	SUPPORTO COLLARE ZNT	
16	00111000103	VITE TE UNI 5739 M10X30 8.8 ZNT	
17	95303000040	TUBO 1/4 1SC	
18	95303000038	TUBO 1/4 1SC	
19	00777600041	VITE CAVA 3/8	
20	95303000017	MOTORE M4MF21	
22	00777600001	RANELLE RAME GAS 1/4 Øe.19 SP=1.5	
23	00777600045	RANELLE RAME 1/8 SP=1,5	
24	00777600129	NIPPLO 3/4-3/4	
25	00777600131	RONDELLA BONDED 3/4	
26	00777600134	ADATTATORE ORIENTABILE 90° M/M 3/4	
27	95303000054	SUPPORTO COLLARE	
28	00111450015	VITE F/R TBCE M8X30 ZNT	
29	00777600127	NIPLES 1/8-1/4	
30	00111300076	VITE TE UNI 5737 M12X60 8.8 ZNT	
31	00111250002	DADO AUTOB.UNI 7474 M12 6S	
32	00111500026	RONDELLA 13X28X5 PR80 BRUNITA	
33	95303000068	TUBO 1/4 1SC F90°1/4-F45°1/8 L=1130 270°	
34	95303000067	TUBO 1/4 1SC F90°1/4-F45°1/8 L=1050 180°	
35	95303000072	TUBO 3/4 1SN F90°3/4-F1/2 L=610	
36	95598090000	KIT POMPA P2	
37	00777600136	RACCORDO A L ORIENTABILE 3/8	
38	00777600124	ADATTATORE ORIENTABILE 90° M/M 1/2	
39	95598570000	KIT GUARNIZIONI MOTORE M4MF21	

PG-SR - W



#	P/N	DESCRIPTION	PG-SR - W
1	95301000025	TUBO 1/4 1SC	
2	95303000034	TUBO 3/8 1SN	
3	00777600115	ADATTATORE ORIENTABILE 90° 3/8 BSPP	
4	95301000022	TUBO 1/4 1SC	
5	00777600001	RANELLE RAME GAS 1/4 Øe.19 SP=1.5	
6	00777600040	BULLONE CAVO SEMPLICE 1/4	
7	00777600120	"TAPPO PRESSURIZZATO 0.25BAR 3/4"" LMAX=70"	
8	95303140000	SERBATOIO OLIO COMPLETO VRN.	
9	00777600119	TAPPO METALLICO SCARICO OLIO 3/4gas	
10	95303000012	GUARNIZIONE FILTRO	
11	95303100000	FILTRO FLANGIATO 90 MICRO	
12	00111250021	DE AUT METB FL ALTI 8MA ZNT	
13	95303000016	POMPA INGRANAGGI 2.53cc	
14	00777600015	NIPPLO M-M 3/8	
15	95303000033	TUBO 3/8 1SN	
16	95301000024	TUBO 1/4 1SN	
17	95301000023	TUBO 1/4 1SC	
18	95303000027	IDROGUIDA POWER BEYOND 50cc STM	
19	95599620000	KIT GUARNIZIONI IDROGUIDA POWER BEYOND	
20	95303000007	SUPPORTO FILTRO ZNT	
21	95303000057	TESTATA FILTRO SERVIZI	
22	00777650058	FILTRO SERVIZI 25 MICRO	
23	00111450003	VITE F/R M8X20 8.8 LISCIA ZNT BIAN.	
24	00111450001	VITE F/R M8X25 LISCIA ZNT BIANCA	
25	00777600003	RANELLE RAME 3/8	
26	00111000087	ROSETTA P.8,4X15.6X1,5 ZT	
27	00111300020	VITE TE UNI 5737 M8 X70 8.8 ZNT	

PG-SR



S/N

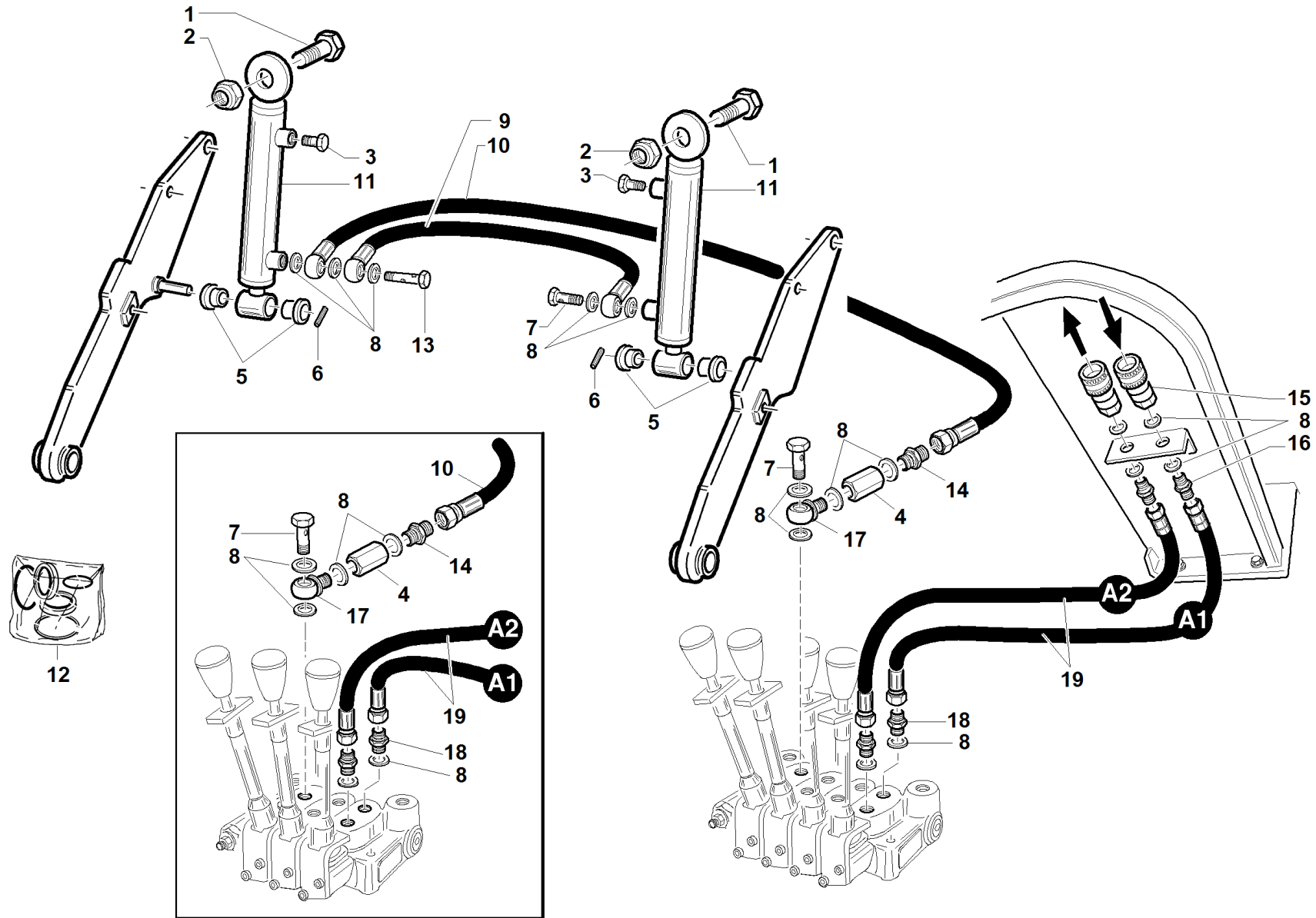
→ **07421903**

→ **0703034**

REF. 19 - 00555501041

#	P/N	DESCRIPTION	PG-SR
1	95060000001	VITE FISSAGGIO CILINDRO	
2	00111250008	DADO AUTOB.UNI 7473 M12 6S	
3	00777600051	TAPPO SFIATO CON PASTI.1/4 35301004	
4	00777600138	PROLUNGA BSP F/F 1/4 L=35	
5	95001000060	BOCCOLA IN OTTONE	
6	00111700006	SPINA EL SPIROL D.6X28 UNI6875	
7	00777600040	BULLONE CAVO SEMPLICE 1/4	
8	00777600001	RANELLE RAME GAS 1/4 Øe.19 SP=1.5	
9	00777600034	TUBO 1/4 L=460 OC1/4 OC1/4	
10	00777600114	TUBO R1711/4LL=870 OC1/4 FEM.GIR1/4	
11	95301350000	CILINDRO SOLLEV. PIATTO PREMONTATO	
12	95060211000	KIT SPECIALE GUARNIZ.CILIN.IT1506	
13	00777600039	BULLONE CAVO DOPPIO 1/4	
14	00777600122	NIPLES 1/4-1/4 ORIFICIO 0.9	
15	00777600102	INNESTO RAPIDO FEMMINA 1/4 CON TAPPO	
16	00777600100	PROLUNGA M/M 1/4 L=35	
17	00777600108	OCCHIO FILETT.GAS1/4X1/4 CON BATTUT	
18	00777600043	NIPPLI 1/4 x 1/4	
19	95301000027	TUBO 1/4 1SC	

PG-SR



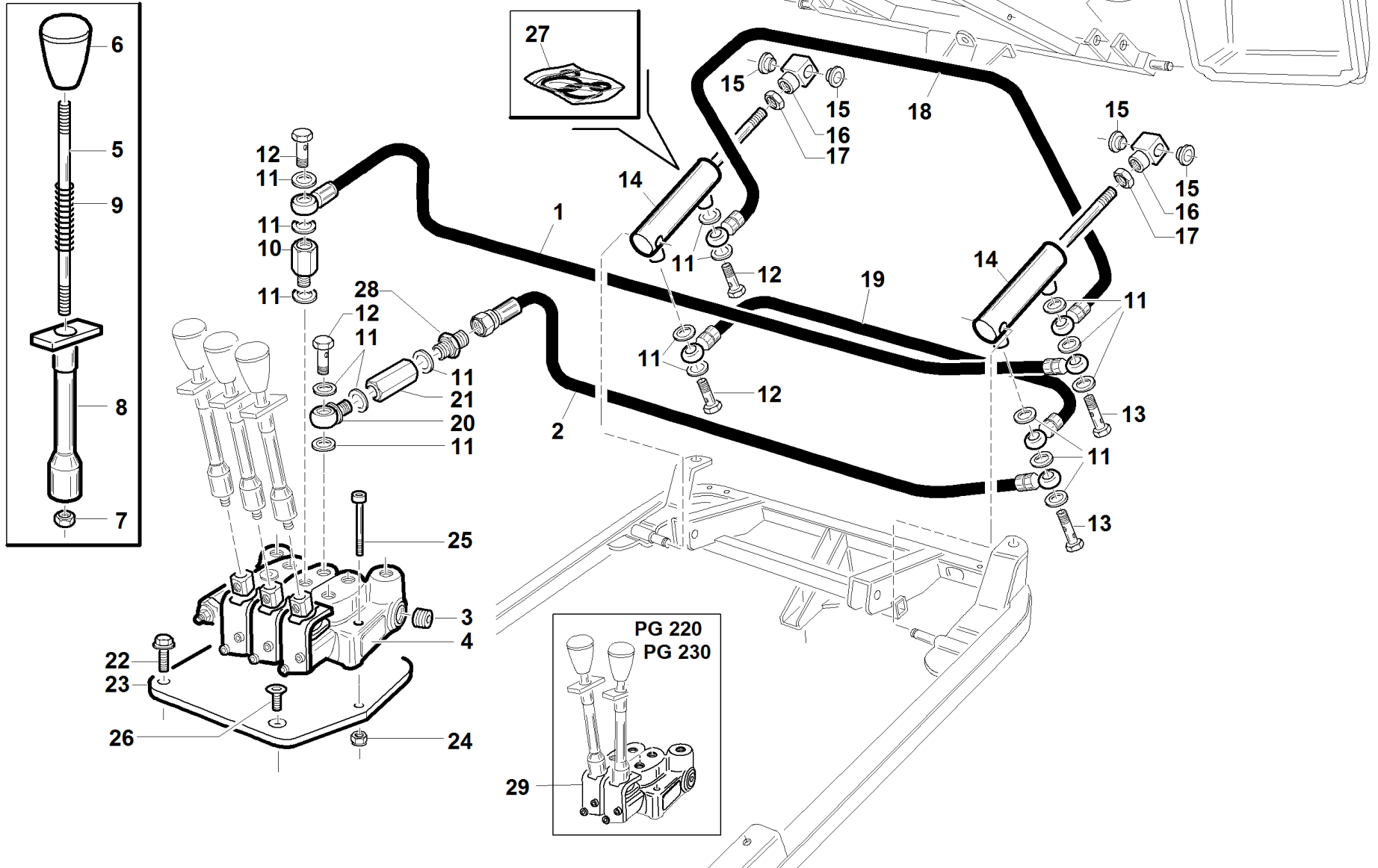
S/N

→ **06401807 ÷ 07421803** ←

→ **0603001 ÷ 0703033** ←

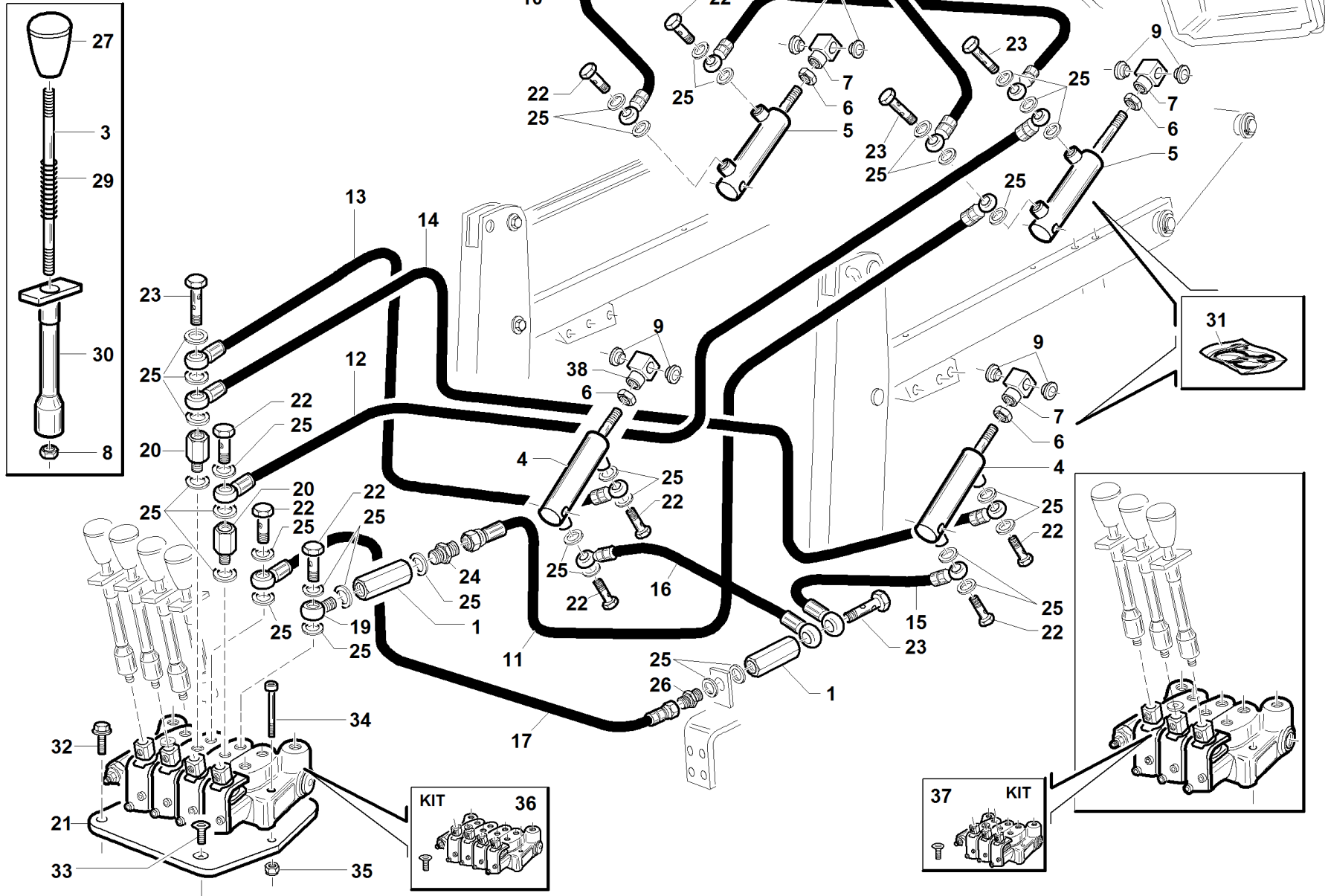
REF. 19 - 00555501022

#	P/N	DESCRIPTION	PG-SR
1	95060000001	VITE FISSAGGIO CILINDRO	
2	00111250008	DADO AUTOB.UNI 7473 M12 6S	
3	00777600051	TAPPO SFIATO CON PASTI.1/4 35301004	
4	00777600138	PROLUNGA BSP F/F 1/4 L=35	
5	95001000060	BOCCOLA IN OTTONE	
6	00111700006	SPINA EL SPIROL D.6X28 UNI6875	
7	00777600040	BULLONE CAVO SEMPLICE 1/4	
8	00777600001	RANELLE RAME GAS 1/4 Øe.19 SP=1.5	
9	00777600034	TUBO 1/4 L=460 OC1/4 OC1/4	
10	00777600114	TUBO R1711/4LL=870 OC1/4 FEM.GIR1/4	
11	95060210000	CILINDRO SOLLEVATORE PIATTO	
12	95060211000	KIT SPECIALE GUARNIZ.CILIN.IT1506	
13	00777600039	BULLONE CAVO DOPPIO 1/4	
14	00777600122	NIPLES 1/4-1/4 ORIFICIO 0.9	
15	00777600102	INNESTO RAPIDO FEMMINA 1/4 CON TAPPO	
16	00777600100	PROLUNGA M/M 1/4 L=35	
17	00777600108	OCCHIO FILETT.GAS1/4X1/4 CON BATTUT	
18	00777600043	NIPPLI 1/4 x 1/4	
19	95301000027	TUBO 1/4 1SC	



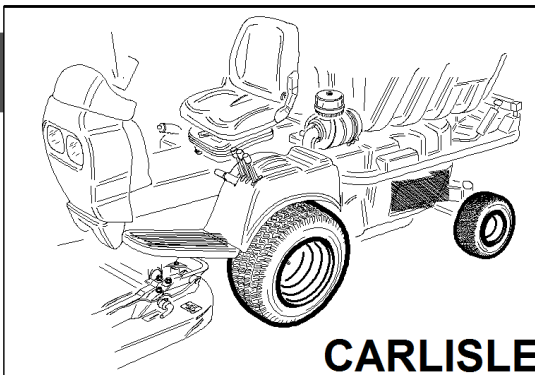
#	P/N	DESCRIPTION	PG-SR
1	00777600086	TUBO R1 1/4 L=1850 OC1/4 OC1/4	
2	00777600088	TUBO R1 1/4 L=1730 OC1/4 OC1/4	
3	00777600050	TAPPO M 1/4	
4	00777600118	DISTRIBUTORE 3 LEVE	
5	00777601100	LEVA DISTRIBUTORE LUNGA	
6	00111970135	BOTTICELLA D.25 TP FIL.M8 BOTECO	
7	95062000004	DADO M8 Ch12 8.8 ZNT	
8	95162000009	LEVA SICUREZZA DISTRIBUTORE	
9	00777600113	MOLLA LEVA SICUREZZA DISTRIBUTORE	
10	00777600037	PROLUNGA M/F 1/4 L=35	
11	00777600001	RANELLE RAME GAS 1/4 Øe.19 SP=1.5	
12	00777600040	BULLONE CAVO SEMPLICE 1/4	
13	00777600039	BULLONE CAVO DOPPIO 1/4	
14	95125220000	CILINDRO DOPPIO EFFETTO-0058000040-	
15	00111990017	BOCCOLA FRIMET TFF 20/16,5	
16	94010000048	BOCCOLA FILETTATA M16 X 1,5 FEMMINA	
17	00111150005	DADO UNI 5589 M16X1,5 6S ZNT	
18	00777600089	TUBO R1 1/4 L=840 OC1/4 OC1/4	
19	00777600105	TUBO R1 1/4 L=760 OC1/4 OC1/4	
20	00777600108	OCCHIO FILETT.GAS1/4X1/4 CON BATTUT	
21	00777600138	PROLUNGA BSP F/F 1/4 L=35	
22	00111450001	VITE F/R M8X25 LISCIA ZNT BIANCA	
23	PZ95060000004	SUPPORTO DISTRIBUTORE	
24	00111000166	DADO AUTOB.UNI 7473 M6 6S	
25	00111400011	VITE TCEI M6X50 8.8 UNI 5931 ZNT	
26	00111000186	VITE TSPEI M8X20 ZNT	
27	95599270000	KIT GUARNIZ CIL. -95125220000-9401731000	
28	00777600122	NIPLES 1/4-1/4 ORIFICIO 0.9	
29	00777600028	DISTRIBUTORE A 2 LEVE	

PG-SR

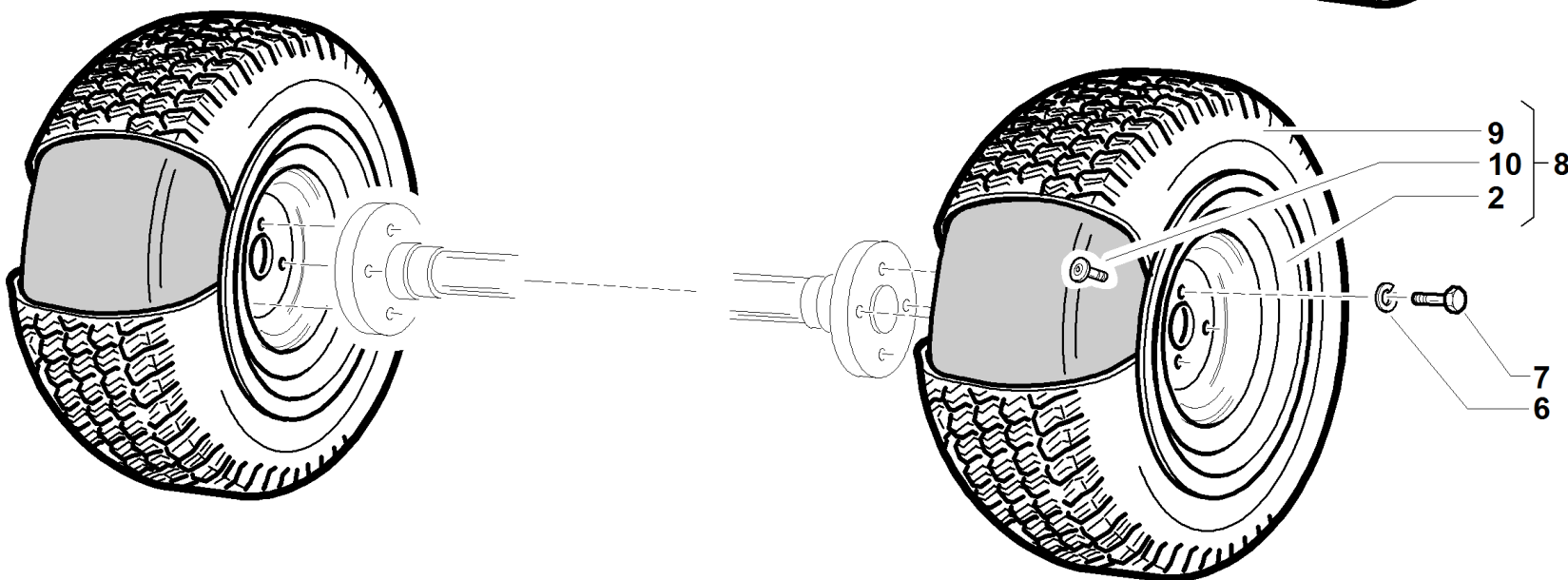
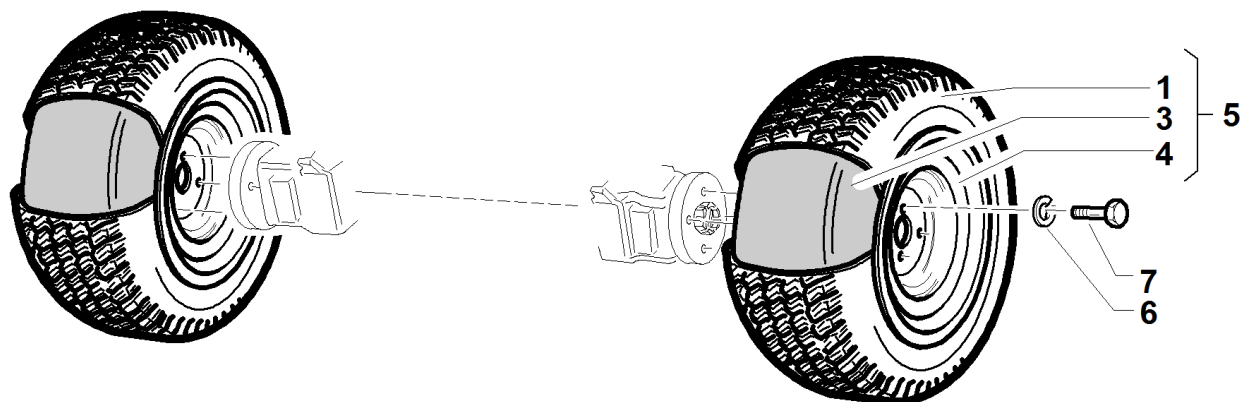


#	P/N	DESCRIPTION	PG-SR
1	00777600138	PROLUNGA BSP F/F 1/4 L=35	
3	00777601100	LEVA DISTRIBUTORE LUNGA	
4	94013150000	CILINDRO DOPPIO EFFETTO-0058000030-	
5	95125220000	CILINDRO DOPPIO EFFETTO-0058000040-	
6	00111150005	DADO UNI 5589 M16X1,5 6S ZNT	
7	94010000048	BOCCOLA FILETTATA M16 X 1,5 FEMMINA	
8	95062000004	DADO M8 Ch12 8.8 ZNT	
9	00111990017	BOCCOLA FRIMET TFF 20/16,5	
10	00777600089	TUBO R1 1/4 L=840 OC1/4 OC1/4	
11	00777600090	TUBO R1 1/4 L=2400 COMP.DI RACCORDI	
12	00777600091	TUBO R1 1/4 L=2600 OC1/4 OC1/4	
13	00777600086	TUBO R1 1/4 L=1850 OC1/4 OC1/4	
14	00777600087	TUBO R1 1/4 L=1350 OC1/4 OC1/4	
15	95128000002	TUBO R1 1/4 L=1250 OC1/4 OC1/4	
16	00777600088	TUBO R1 1/4 L=1730 OC1/4 OC1/4	
17	00777600092	TUBO R1 1/4 L=350 OC1/4 F901/4	
19	00777600108	OCCHIO FILETT.GAS1/4X1/4 CON BATTUT	
20	00777600037	PROLUNGA M/F 1/4 L=35	
21	95301000031	SUPPORTO DISTRIBUTORE ZNT	
22	00777600040	BULLONE CAVO SEMPLICE 1/4	
23	00777600039	BULLONE CAVO DOPPIO 1/4	
24	00777600122	NIPLES 1/4-1/4 ORIFICIO 0.9	
25	00777600001	RANELLE RAME GAS 1/4 Øe.19 SP=1.5	
26	00777600100	PROLUNGA M/M 1/4 L=35	
27	00111970135	BOTTICELLA D.25 TP FIL.M8 BOTECO	
28	00777600105	TUBO R1 1/4 L=760 OC1/4 OC1/4	
29	00777600113	MOLLA LEVA SICUREZZA DISTRIBUTORE	
30	95162000009	LEVA SICUREZZA DISTRIBUTORE	
31	95599270000	KIT GUARNIZ CIL. -95125220000-9401731000	
32	00111450001	VITE F/R M8X25 LISCIA ZNT BIANCA	
33	00111000186	VITE TSPEI M8X20 ZNT	
34	00111400011	VITE TCEI M6X50 8.8 UNI 5931 ZNT	
35	00111000166	DADO AUTOB.UNI 7473 M6 6S	
37	95598490000	KIT DISTRIBUTORE 3 LEVE + VITE TSPEI M8	
36	95598510000	KIT DISTRIBUTORE 4 LEVE + VITE TSPEI M8	
38	91007000002	BOCCOLA FILETTATA M16 X 1,5 FEMMINA ZNT	

PG-SR - W

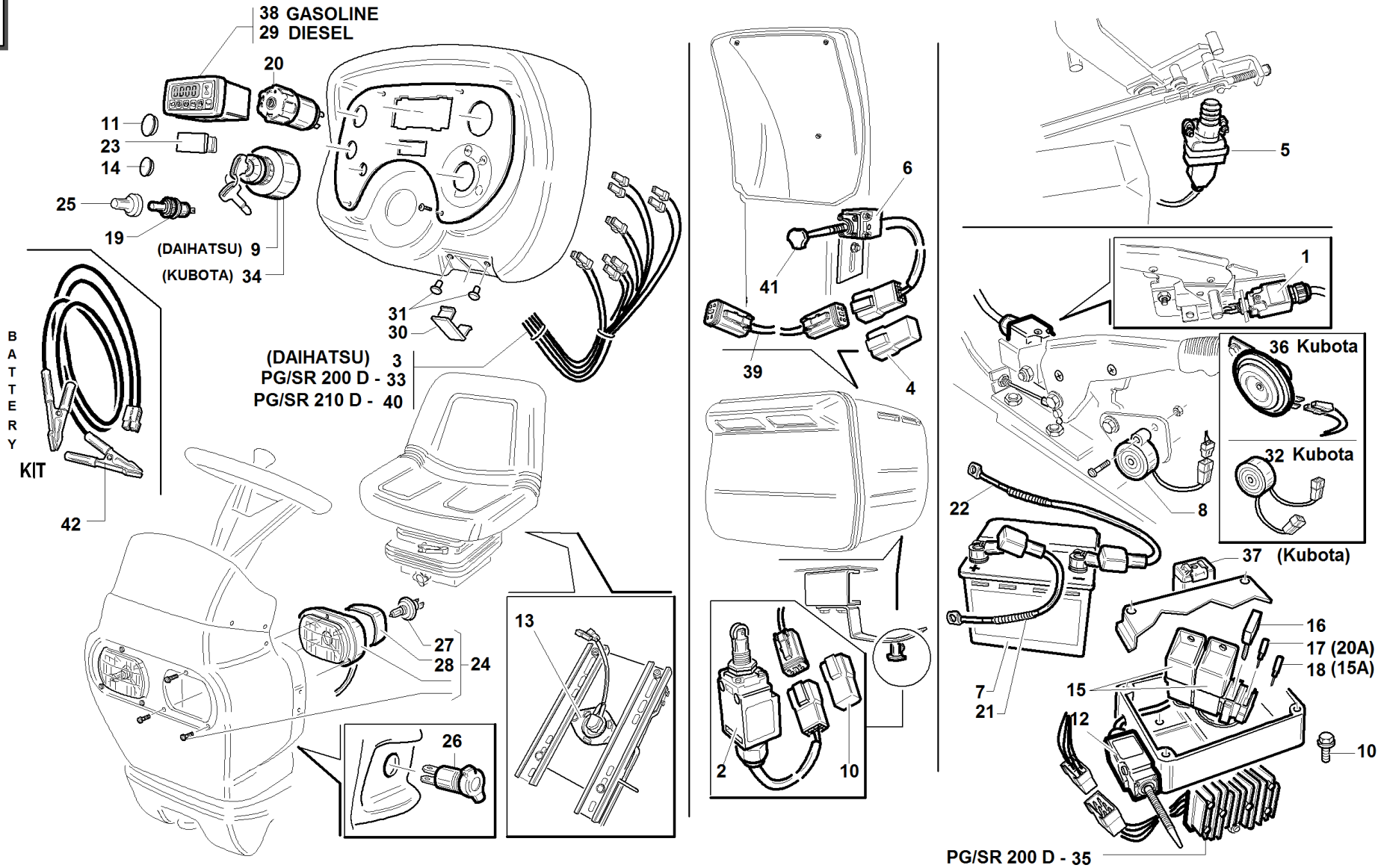


CARLISLE

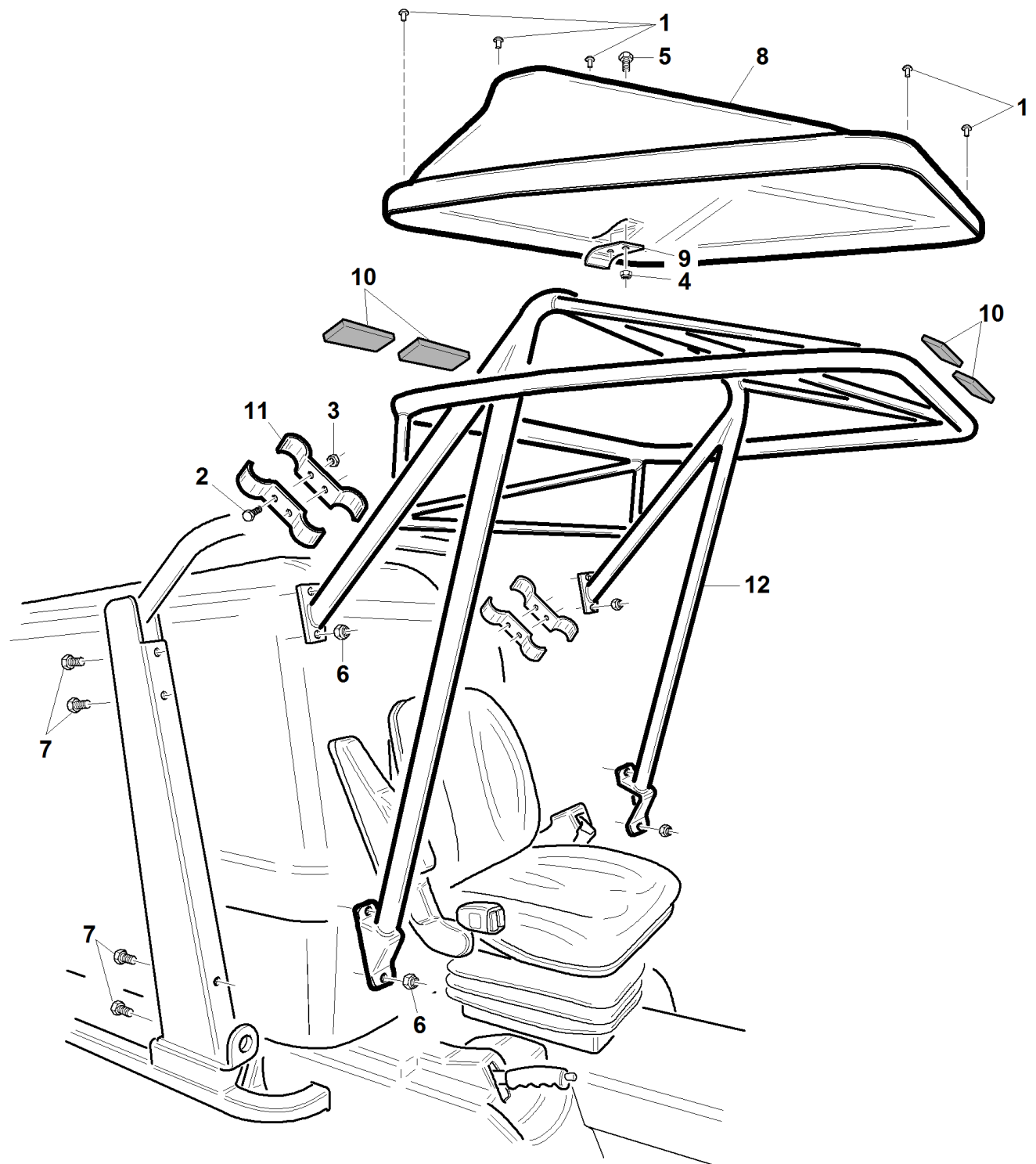


#	P/N	DESCRIPTION	PG-SR - W
1	00111940023	PNEUMATICO 16X6.50-8 CARLISLE	
2	95303130001	CERCHIO 8.50X12	
3	00111930003	CAMERA ARIA 16.6.50X8 TR13	
4	95303120001	CERCHIO 16x5.00X8	
5	95303120000	RUOTA 16X6.50-8	
6	00111550004	ROSETTA ELASTICA M12 DIN 74361	
7	00111300055	VITE TE UNI5740 M12X1.25X25 8.8 ZNT	
8	95303130000	RUOTA 23X10.50-12	
9	00111940024	PNEUMATICO 23X10.50-12 CARLISLE 4PR	
10	00111930006	VALVOLA TUBELESS CORTA TR412	

PG-SR

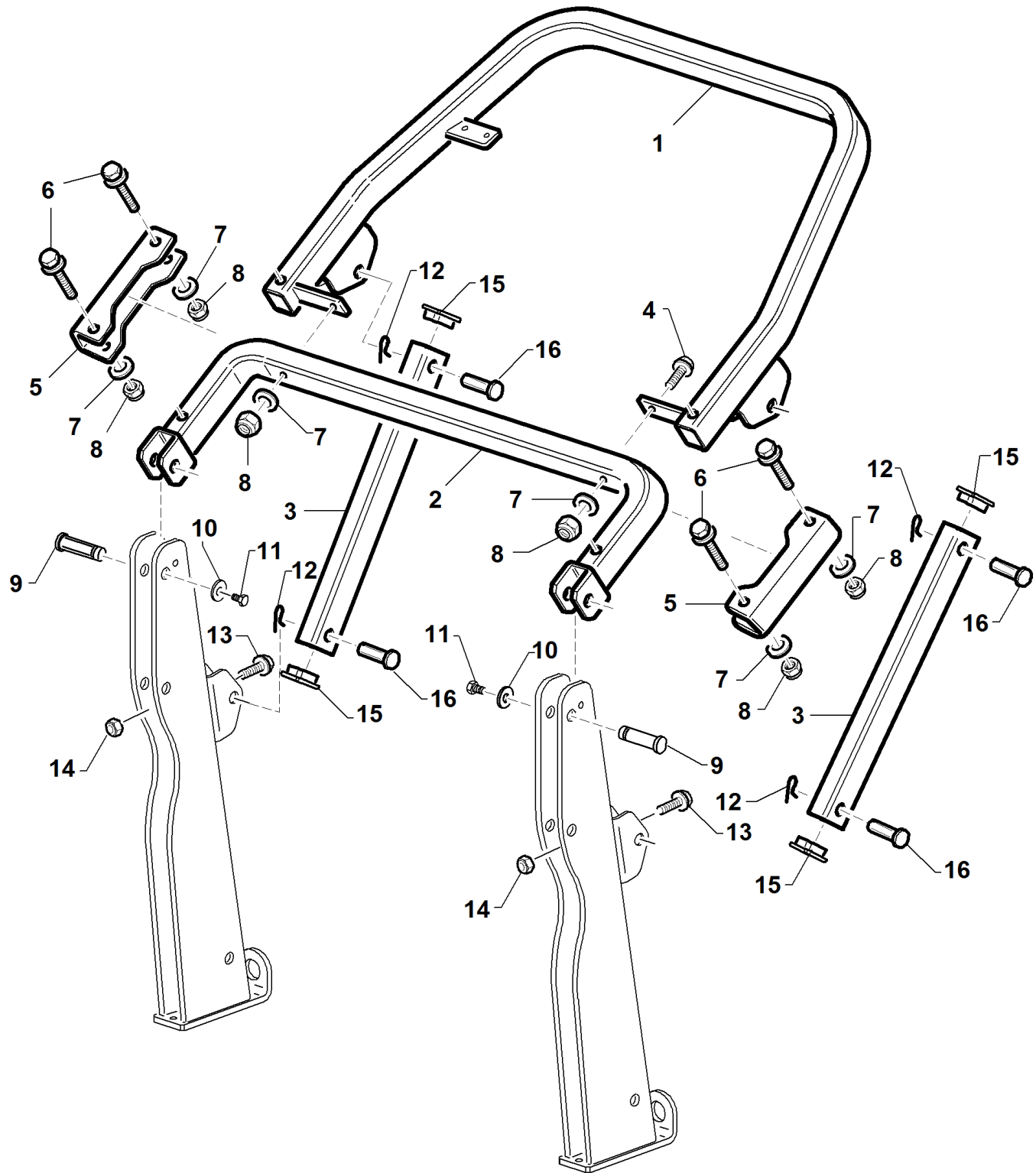


#	P/N	DESCRIPTION	PG-SR
1	95200100000	MICRO FRENO A MANO CABLATO DIESEL	
2	95200110000	MICRO CESTO ALZATO CABLATO DIESEL	
3	95304130000	CABLAGGIO ELETTRICO DAIHATSU 950DT-950D	
4	00777800167	CONNETTORE/TAPPO MICRO CESTO PIENO	
5	00777800023	PULSANTE COBO 15117000 -I05010-	
6	95042520000	MICRO CESTO PIENO CABLATO COMPL.	
7	95599000036	"BATTERIA 12V 43Ah ""A SECCO"""	
8	95301310000	AVVISATORE ACUSTICO PREMONTATO	
9	00777800222	INTERRUTTORE AVVIAMENTO COBO	
10	00777800166	CONNETTORE/TAPPO MICRO CESTO ALZATO	
11	00111970157	TAPPO NERO D30,1	
12	95201101500	MICRO COFANO CHIUSO	
13	00777800174	MICRO SEDILE PG(MICRO SWITCH DELTA)	
14	00111970158	TAPPO NERO D 22.2	
15	00777800098	RELE 12V 70A	
16	00777800099	FUSIBILE 70A	
17	00777800126	FUSIBILE A LAMA 20 A 0014.0019	
18	00777800080	FUSIBILE A LAMA 15 AMP	
19	00777800108	INTERRUTTORE 0058.0074.01	
20	00777800143	COMMUTATORE LUCI + PULSANTE CLAXON	
21	95201100001	CAVO BATTERIA POSITIVO PG-SR KUBOTA	
22	95202100001	CAVO BATTERIA NEGATIVO PG-SR DIESEL	
23	00111970162	TAPPO PER SPIA DOPPIA	
24	00777802400	PROIETTORE ASIMMETRICO	
25	00777800109	CAPPUCCIO	
26	00777800107	PRESA BIPOLARE 25.019.100.01	
27	00777800152	LAMPADA 12V 45/40W	
28	00777800156	CUFFIA DI PROTEZIONE IN GOMMA	
29	00777801000	CENTRALINA ELEN DIESEL	
30	00111970159	TAPPO PER INTERRUTTORE BASCULANTE	
31	00111970095	BOTTONE	
32	95049470000	AVVISATORE ACUSTICO PREMONTATO	
33	95201101000	CABLAGGIO ELETTRICO CENTRALE KUBOTA	
34	00777800130	BLOCCHETTO CHIAVE PER KUBOTA	
35	00777800172	REGOLATORE CORRENTE KUBOTA	
36	00777800022	CLAXON 12 V -A27094-	
37	00777800173	RELE'SOLENOIDE KUBOTA (061700-3770 12V)	
38	00777800195	CENTRALINA PG/SR BENZINA	
39	00777800124	CAVO CABLATO X CESTO ELEVATORE	
40	95338131000	CABLAGGIO CENTRALE KUBOTA D902	
41	00111970042	POMELLO FEMMINA THB20M4	
42	92001290005	SPINOTTO BATTERIA CABLATO CON PINZE	



#**P/N****DESCRIPTION****PG-SR****REF. TAV. 24**

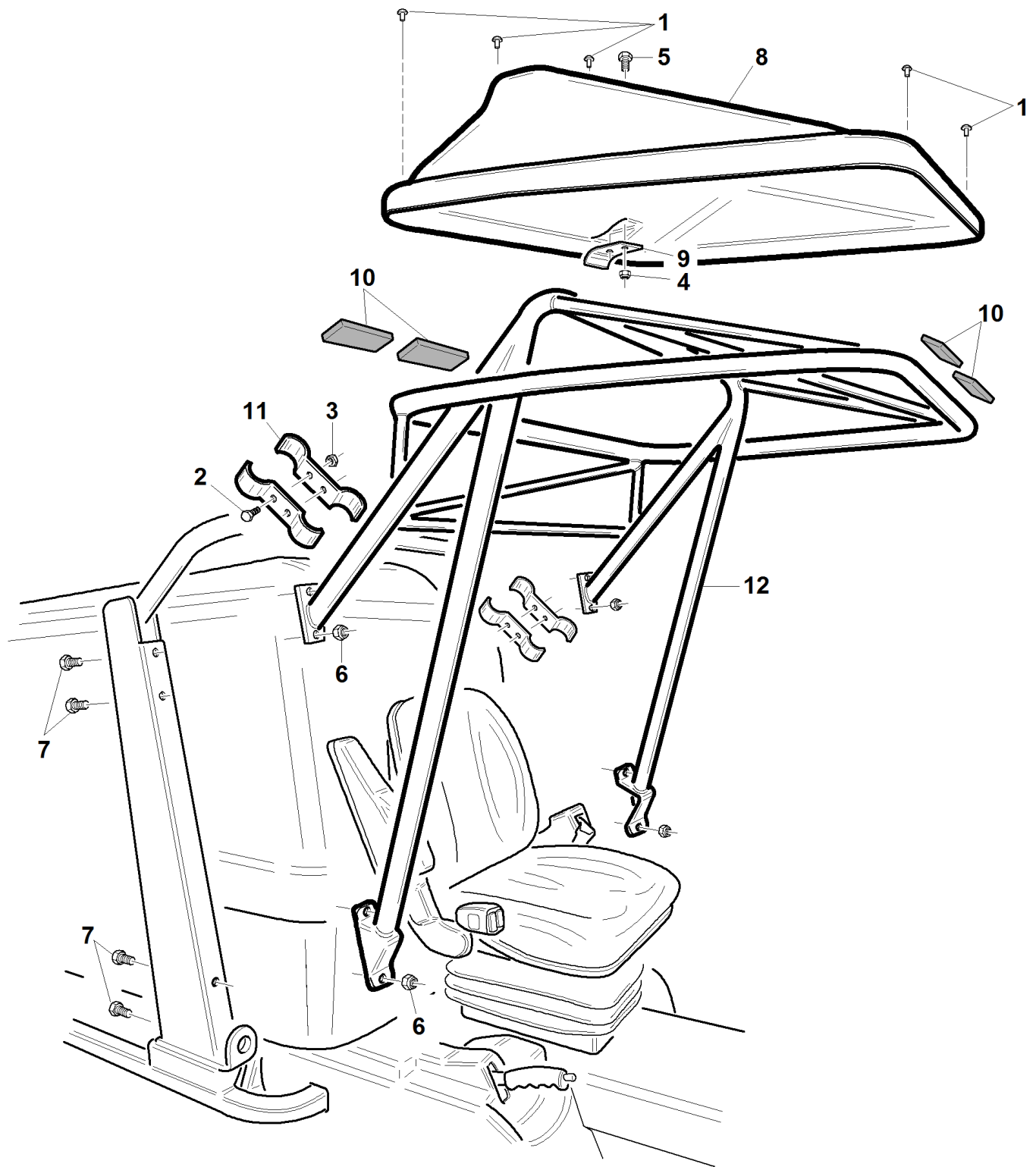
PG-SR



S/N
→ **1010029**

REF. 24 - 00555501057

#	P/N	DESCRIPTION	PG-SR
1	95227120000	TUBOLARE SUPERIORE ROPS COMPLETO VRN	
2	95227130000	TUBOLARE SUPPORTO ROPS COMPLETO VRN	
3	95227000001	TUBOLARE SUPPORTO ROPS VRN	
4	00111300103		
5	95227000003	STAFFA COLLEGAMENTO ROPS VRN	
6	00111300104	VITE TE UNI 5739 M12x100 8.8 ZNT	
7	00111000105	ROSETTA P.13X24X2,5 ZNT UNI 6952	
8	00111250008	DADO AUTOB.UNI 7473 M12 6S	
9	00111990017	BOCCOLA FRIMET TFF 20/16,5	
10	00111000061	ROSETTA Ø 8,4X24 SP.2 ZNT	
11	00111000081	VITE TE UNI 5739 M8 X16 8.8 ZNT	
12	00111000175	COPIGLIA ELASTICA UNI 8833-A5 Ø4	
13	00111450007	VITE F/R M10X25 ZNT	
14	00111250004	DADO AUTOB.UNI 7473 M10 6S	
15	00111970212	TAPPO RETTANGOLARE IN PLASTICA 60X40	
16	95227000002	PERNO Ø20X66 ZNT	



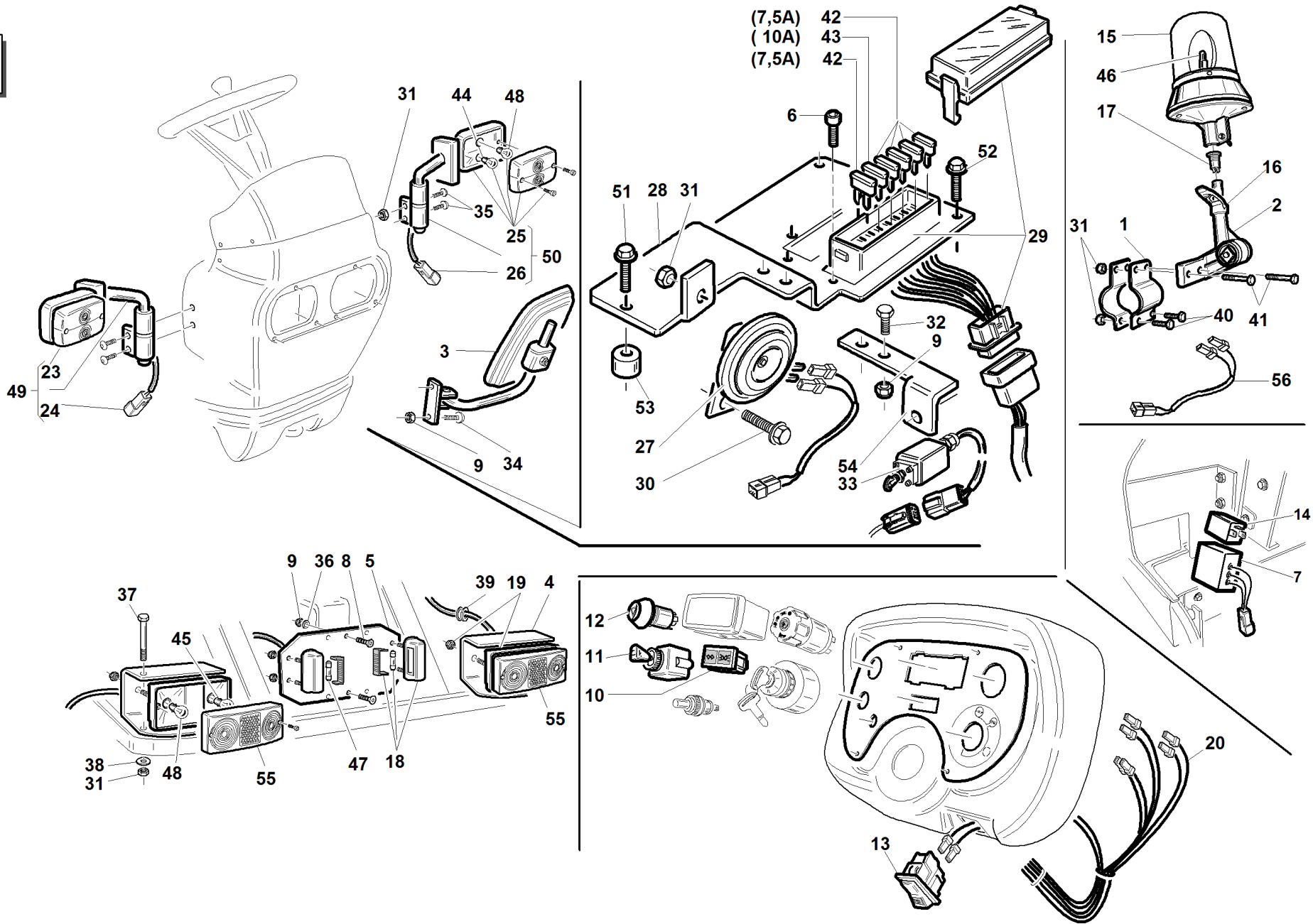
S/N

→06401807 ÷ 1010028 ←

REF. 24 - 00555501016

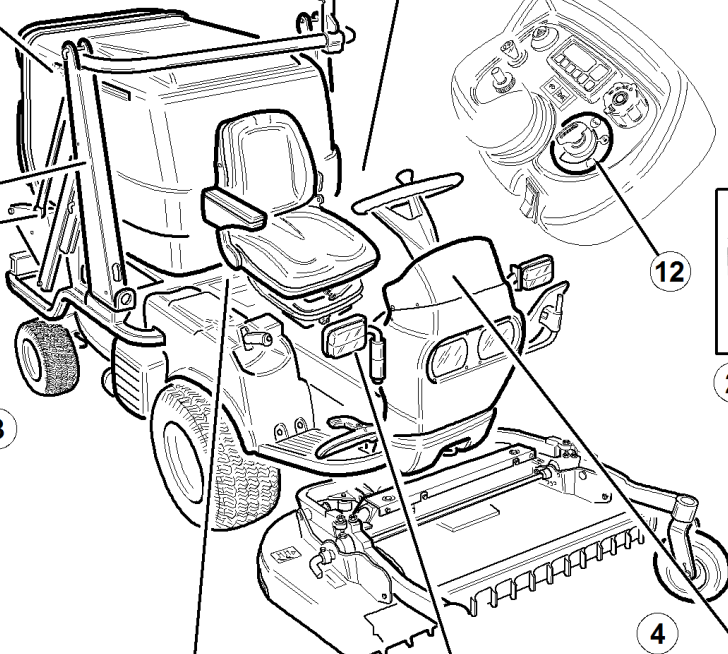
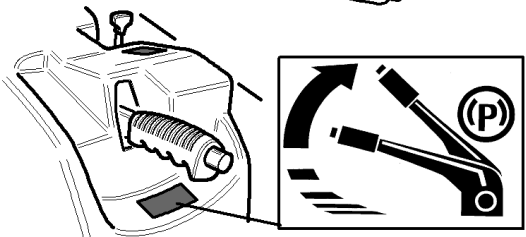
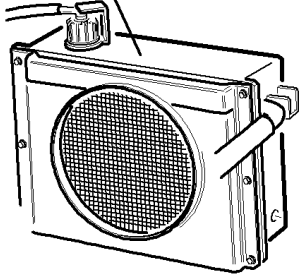
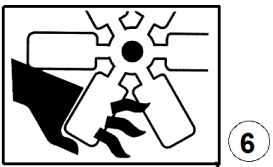
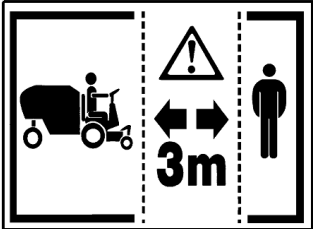
#	P/N	DESCRIPTION	PG-SR
1	00111800004	RIVETTO Ø.4,8X16 TESTA Ø.16 AL.NERO	
2	00111000063	VITE BRUG.M8X16 8.8 UNI 5931 ZNT	
3	00111000095	DADO AUTOB.UNI 7474 M8 6S	
4	00111000071	DADO AUTOB.UNI 7473 M8 6S	
5	00111000145	VITE TE UNI 5737 M8 X35 8.8 ZNT	
6	00111250004	DADO AUTOB.UNI 7473 M10 6S	
7	00111450007	VITE F/R M10X25 ZNT	
8	95164000001	TETTUCCIO ROPS	
9	95164000002	LAMIERA RINFORZO TETTUCCIO ROPS	
10	95164000003	AERSTOP 50 X 3 L=60	
11	95164000004	LAMIERA SUPPORTO ROLLBAR VERNICIATO	
12	95164100000	TELAIO ROPS COMPLETO VERN.	

PG-SR



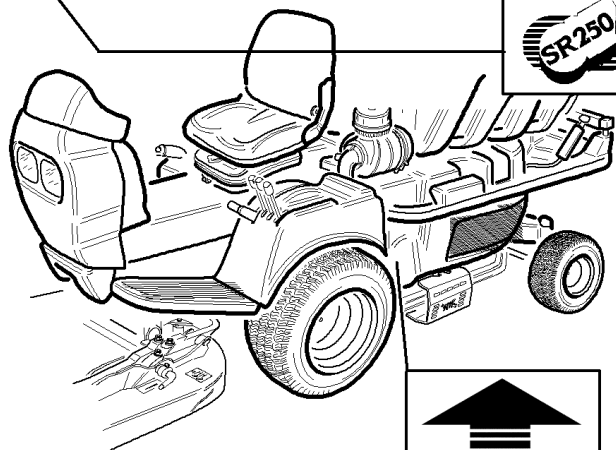
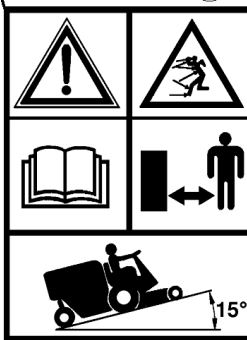
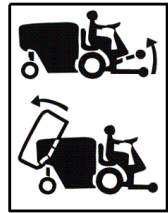
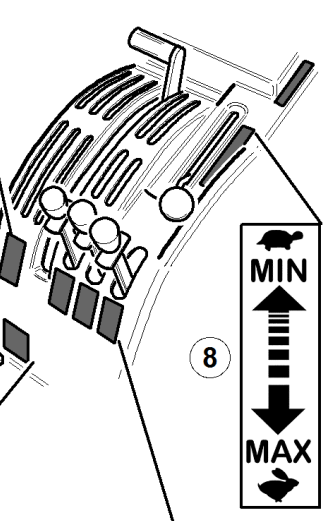
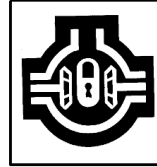
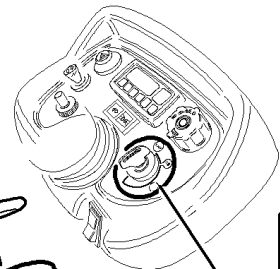
#	P/N	DESCRIPTION	PG-SR	REF. 25 - 0055501017
1	95162000002	PIASTRINA FISS. LAMPADA ROTANTE ZNT		
2	00111971100	SUPPORTO LAMPADA ROTANTE COMPL.		
3	00111970154	SPECCHIETTO RETROVISORE COMPLETO SX		
4	95162000003	SUPPORTO FANALE POSTERIORE VERN.		
5	95162000004	SUPPORTO TARGA VERN.		
6	00111400028	VITE TCEI.M5X14 8.8 UNI 5931 ZNT		
7	95162300000	SCHEDA TIMER CABLATA LUCI STOP		
8	00111350023	VITE TSPEI M6X20 10.9 UNI 5933 ZNT		
9	00111000166	DADO AUTOB.UNI 7473 M6 6S		
10	00777800141	SEGNALATORE LUMINOSO DOPPIO (SPIE)		
11	00777800142	DEVIATORE LUCI DI DIREZIONE		
12	00777800144	INTERRUTTORE LUCI EMERGENZA + SPIA		
13	00777800145	INTERRUTTORE LAMPADA ROTANTE + SPIA		
14	00777800171	INTERMITTENZA 12V-47/180W		
15	00777801400	LAMPADA ROTANTE 35.209.000.13		
16	00777801402	CAPPUCCIO PLASTICA LAMPADA ROTANTE		
17	00777801401	CONNETTORE LAMPADA ROTANTE		
18	00777802000	FANALE LUCE TARGA		
19	00777802100	FANALE POSTERIORE MULTIFUNZIONE		
20	95162100000	CABLAGGIO IMPIANTO LUCI		
21	00111971300	SUPPORTO FANALE ANTERIORE SX COMPL.		
22	00111971000	SUPPORTO FANALE ANTERIORE DX COMPL.		
23	00777802300	FANALE ANTERIORE DX		
24	95162201001	CAVO CABLATO X FANALE ANTERIORE DX		
25	00777802200	FANALE ANTERIORE SX		
26	95162201101	CAVO CABLATO X FANALE ANTERIORE SX		
27	00777800022	CLAXON 12 V -A27094-		
28	95301000012	SUPPORTO PEDIPOLATORE ZNT		
29	95162201202	SCATOLA PORTA FUSIBILI CABLATA		
30	00111450003	VITE F/R M8X20 8.8 LISCIA ZNT BIAN.		
31	00111000071	DADO AUTOB.UNI 7473 M8 6S		
32	00111450005	VITE F/R M6X16 LISCIA DACROMET		
33	95162201300	MICRO LUCI STOP CABLATO		
34	00111450016	VITE F/R TBCE M6X25 ZNT		
35	00111450015	VITE F/R TBCE M8X30 ZNT		
36	00111500009	ROSETTA P.6,4X12,5X1,6 UNI 6592 ZNT		
37	00111300027	VITE TE UNI 5737 M8 X60 8.8 ZNT		
38	00111000087	ROSETTA P.8,4X15.6X1,5 ZT		
39	00111970128	PASSACAVO MONTANTE ELEV. 2060 Ø.32		
40	00111300008	VITE TE UNI 5739 M8 X25 8.8 ZNT		
41	00111000145	VITE TE UNI 5737 M8 X35 8.8 ZNT		
42	00777800078	FUSIBILE A LAMA 7,5 AMP 0014.0014		
43	00777800079	FUSIBILE A LAMA 10 AMP 0014.0020		
44	00777800177	LAMPADA 12V R5W		
45	00777800179	LAMPADA 12V P21/5W		
46	00777800180	LAMPADA H1 12V 55W		
47	00777800181	LAMPADA 12V C5W		
48	00777800178	LAMPADA 12V P21W		
49	95162201000	FANALE ANTERIORE DX PREMONTATO		
50	95162201100	FANALE ANTERIORE SX PREMONTATO		
51	00111450002	VITE F/R M8X30 8.8 LISCIA ZNT BIAN.		
52	00111000059	VITE F/R M8X14 LISCIA ZNT BIANCA		
53	95301000004	DISTANZIALE 12X25 L=15		
54	95301000030	SUPPORTO MICRO STOP ZNT		
55	00777802101	VETRO FANALE POSTERIORE MULTIFUNZ		
56	95162200001	CABLAGGIO LAMPADA ROTANTE		

PG-SR - W



BENZINA PETROL 20

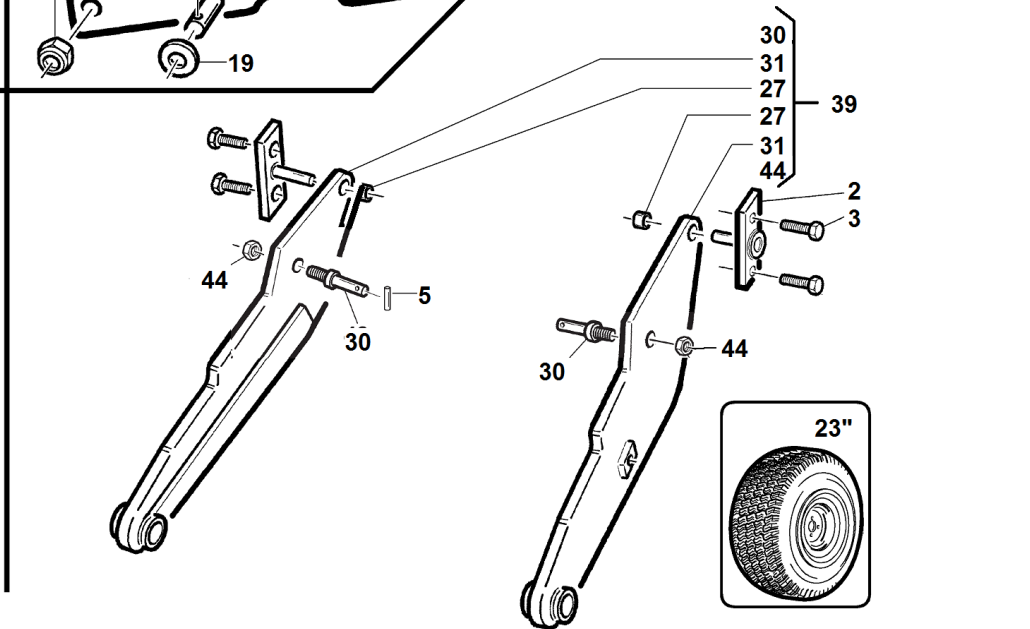
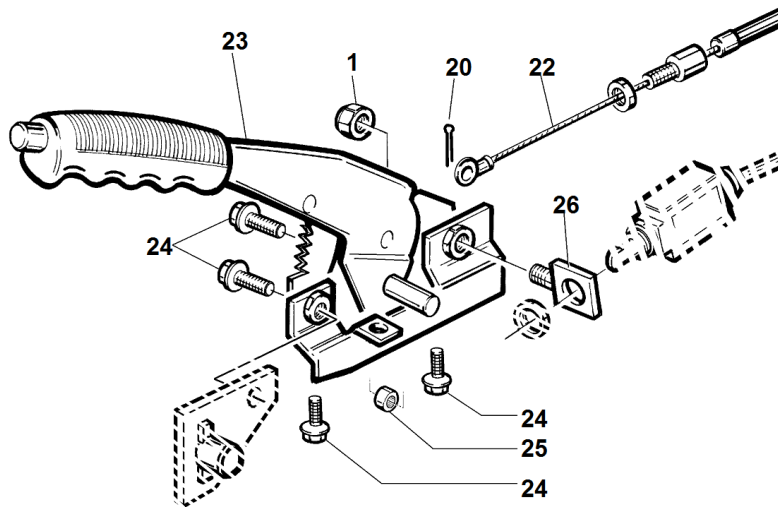
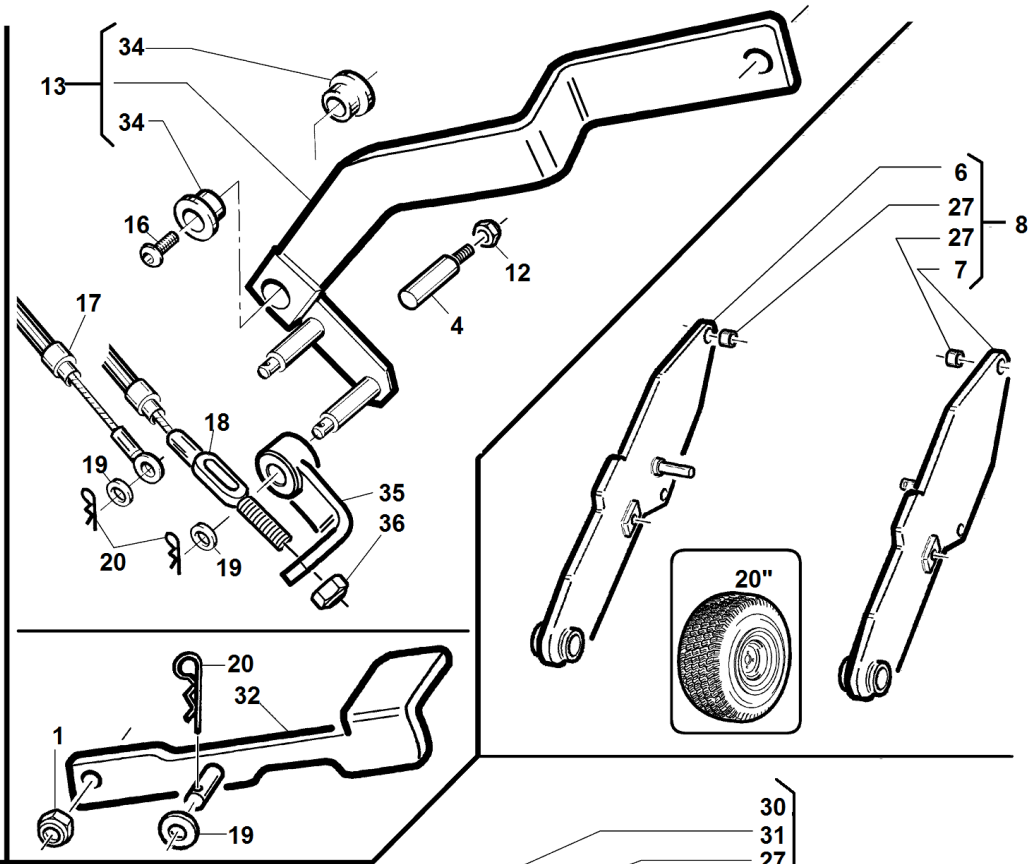
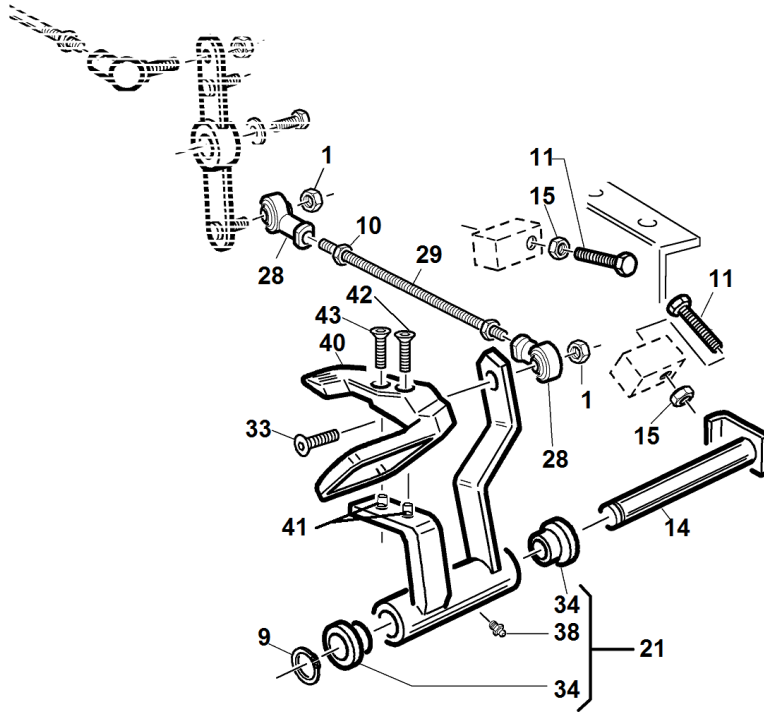
DIESEL 5



- 26
- 27
- 16
- 19
- 28
- 21
- 22
- 23
- 24
- 25

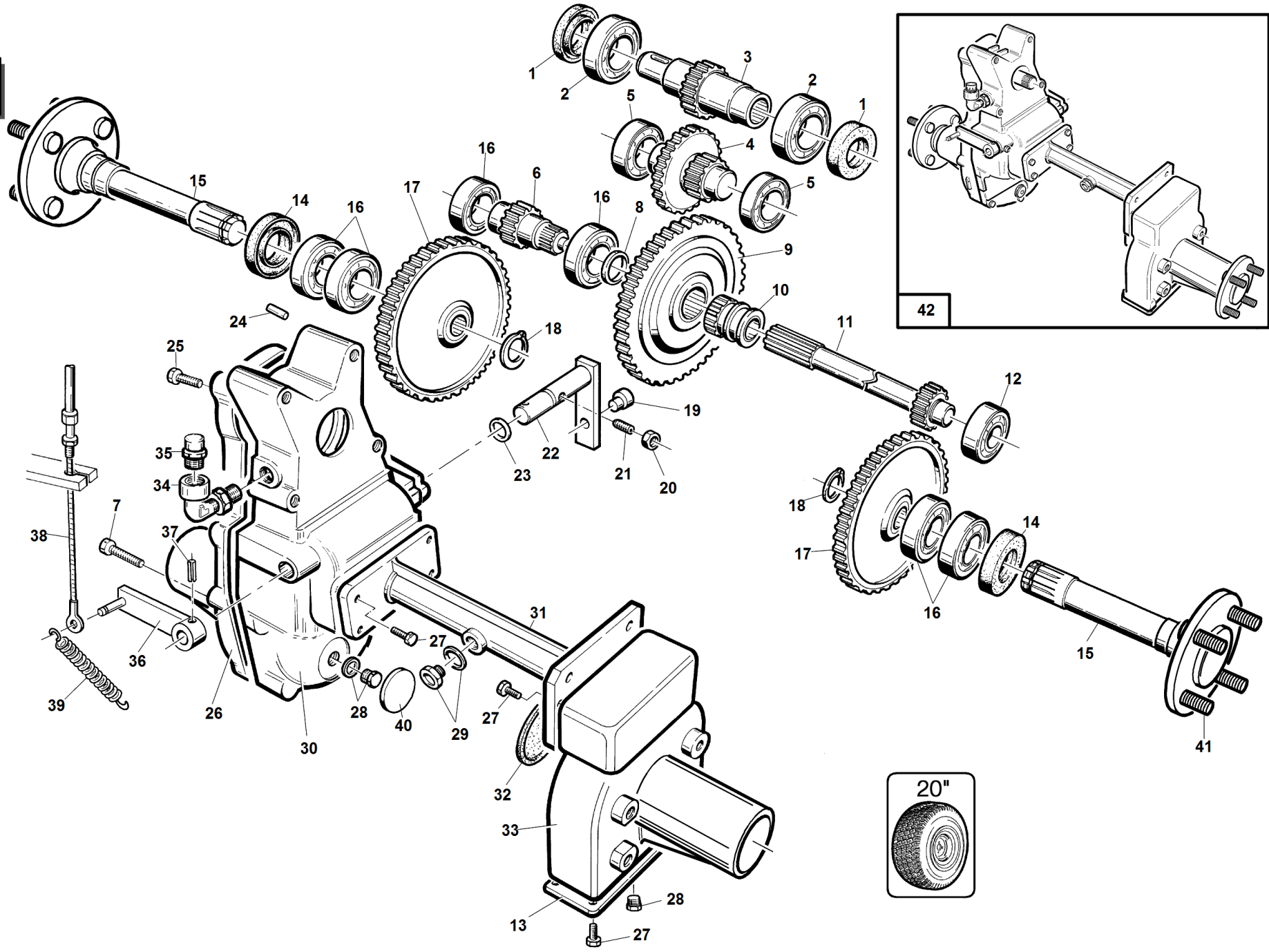
#	P/N	DESCRIPTION	PG-SR - W
1	00555200006	DECALCOMANIA INNESTO LAME	
2	00555200008	DECALCOMANIA BLOCCAGGIO	
3	00555200018	DECALCOMANIA-NON AVVICINARSI-	
4	00555200143	DECALCOMANIA DI PERICOLO TG TECH/GTS	
5	00555200114	"DECALCOMANIA ""DIESEL""	
6	00555200115	"DECALCOMANIA ""VENTOLA MOTORE""	
7	00555200124	DECALCOMANIA BY PASS	
8	00555200127	DECALCOMANIA MIN-MAX	
9	00555200128	DECALCOMANIA FRENO STAZ.	
10	00555200129	DECALCOMANIA PROTEGGERE L'UDITO	
11	00555200130	DECALCOMANIA PROTEGGERE GLI OCCHI	
12	00555200144	DECALCOMANIA BLOCCO CHIAVE PG	
13	00555200119	DECALCOMANIA PERICOLO ELEVATORE	
14	00555200164	DECALCOMANIA-GF GIANNI FERRARI-ROSS	
15	00555000027	DECALCOMANIA TURBINA	
16	00555200186	"DECALCOMANIA ""PG300 DW""	
17	00555200132	DECALC. LEVE DISTRIBUTORE PG ELEVAT	
18	00555200133	DECALC. LEVE DISTRIBUTORE PG	
19	00555200187	DECALCOMANIA SR300 DW	
20	00555200163	"DECALCOMANIA CARBURANTE ""BENZINA""	
21	00555200196	"DECALCOMANIA ""PG220""	
22	00555200189	"DECALCOMANIA ""PG270 D""	
23	00555200191	"DECALCOMANIA ""SR270 D""	
24	00555200190	"DECALCOMANIA ""PG250""	
25	00555200192	"DECALCOMANIA ""SR250""	
26	00555200243	"DECALCOMANIA ""SR 210 D""	
27	00555200242	"DECALCOMANIA ""PG 210 D""	
28	00555200253	DECALCOMANIA "PG230"	

PG-SR



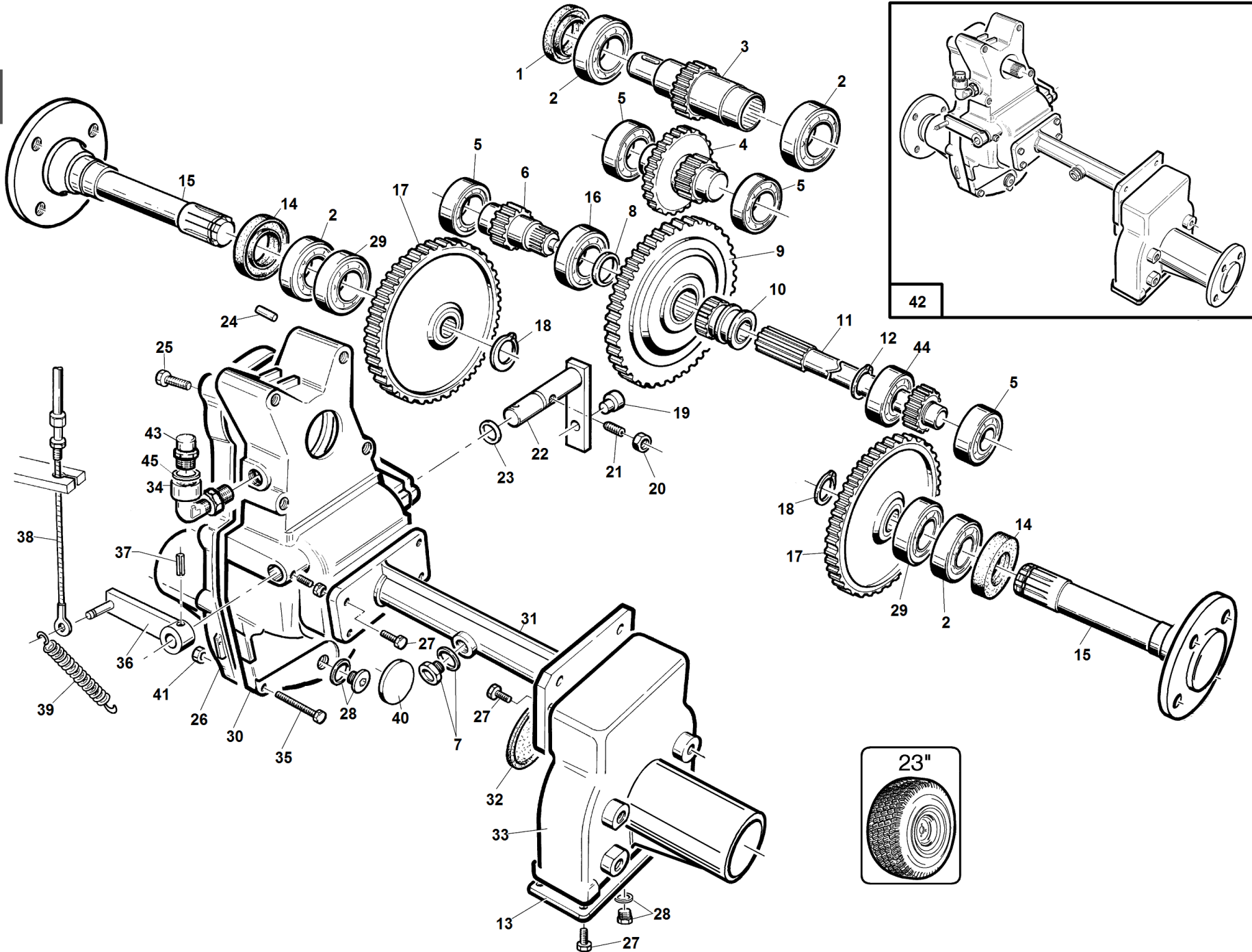
#	P/N	DESCRIPTION	PG-SR
1	00111000071	DADO AUTOB.UNI 7473 M8 6S	
2	95301150000	SUPPORTO BRACCI DI SOLLEVAM COMPL.ZNT	
3	00111000103	VITE TE UNI 5739 M10X30 8.8 ZNT	
4	95301000002	TONDO FERMO LEVA PDP	
5	00111700006	SPINA EL SPIROL D.6X28 UNI6875	
6	95311150000	BRACCIO SOLLEVATORE DX COMPLETO ZNT	
7	95311140000	BRACCIO SOLLEVATORE SX COMPLETO ZNT	
8	95599660000	KIT BRACCI SOLLEVATORE PG	
9	00111650004	SEEGER TIPO E x Ø15 UNI 7436	
10	00111000082	DADO UNI 5588 M8 6S ZNT	
11	00111000033	VITE TE UNI 5739 M8 X30 8.8 ZNT	
12	00111000166	DADO AUTOB.UNI 7473 M6 6S	
13	95301280000	LEVA PDP-TURBINA PREMONTATA	
14	95301100000	PERNO PEDALE COMPLETO	
15	00111150003	DADO UNI 5589 M8 6S ZNT	
16	00111450004	VITE F/R TBCE M8X12 ZNT	
17	95301000020	CAVO COMPLETO FRENO LAME	
18	95042210004	CAVO PDP E TURBINA COMP.REGOLABILE	
19	00111500009	ROSETTA P.6,4X12,5X1,6 UNI 6592 ZNT	
20	00111000114	"COPIGLIA ""R"" D.1,2 ZNT"	
21	95301320000	SUPPORTO PEDALE PREMONTATO	
22	95042000013	CAVO FRENO A MANO PLAY IDRO	
23	00111990015	LEVA FRENO A MANO 40.003/1	
24	00111450003	VITE F/R M8X20 8.8 LISCIA ZNT BIAN.	
25	95001000027	DISTANZIALE Ø8.25X14 L=8 'ZNT'	
26	PZ95042190000	SUPPORTO MICRO COMPL.	
27	00111530005	BOCCOLA FRIMET TFP 18 20 10	
28	00777200007	TESTA SNODO CF8 M8	
29	95311180001	TIRANTE PEDALE AVANZAMENTO ZNT	
30	95301000032	PERNO SUPPORTO CILINDRO ZNT	
31	95303150000	BRACCIO SOLLEVATORE SX COMPLETO ZNT	
32	PZ95001390000	PEDALE BLOCC.DIFF.	
33	00111350022	VITE TSPEI M8X30 8.8 UNI 5933 ZNT	
34	95001000060	BOCCOLA IN OTTONE	
35	PZ95042216000	REGISTRO CAVO TURBINA COMPLETO	
36	00111000095	DADO AUTOB.UNI 7474 M8 6S	
37	95301140000	SUPPORTO PEDALE AVANZAMENTO COMPLETO ZNT	
38	00111000036	INGRASSATORE M6 DIRITTO	
39	95599590000	KIT BRACCI SOLLEVATORE PG-W	
40	95533000003	PEDALE AVANZ. IN ALLUMINIO FORATO	
41	94500000051	DISTANZIALE 10.25X16X10.5	
42	00111000111	VITE TSPEI M8X40 8.8 UNI 5933 ZNT	
43	00111350038	VITE TSPEI M8X35 10.9 UNI 5933 ZNT	
44	00111150005	DADO UNI 5589 M16X1,5 6S ZNT	

PG-SR - 20"

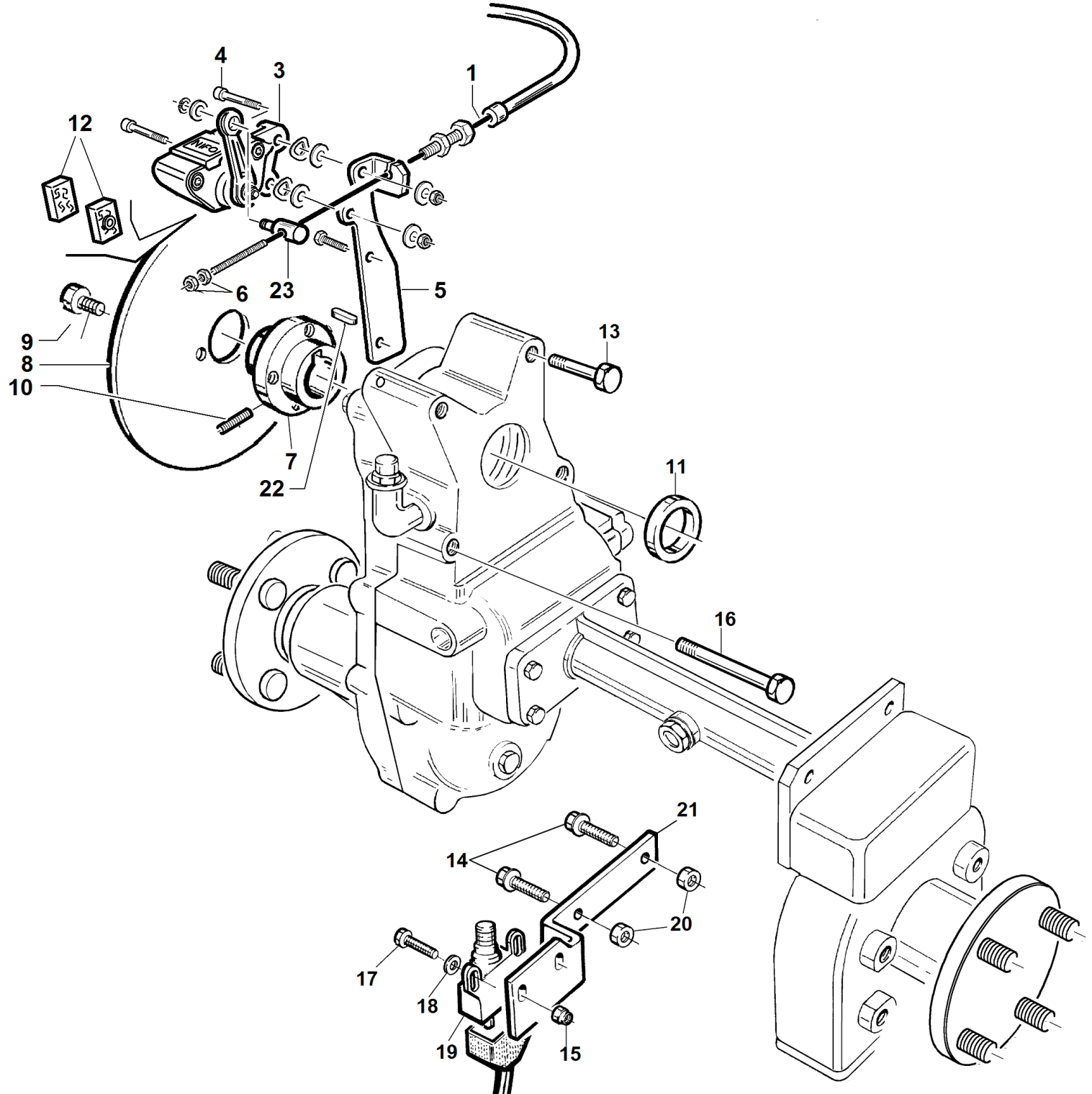


#	P/N	DESCRIPTION	PG-SR - 20"	REF. 28 - 00555501028
1	00777250003	ANELLO BA 30X47X7		
2	00777100014	CUSCINETTO CLA 6006 30X55X13		
3	00777304602	ALBERO Z=22		
4	00777304603	ALBERO PIGNONE Z=29		
5	00777100015	CUSCINETTO CLA 6005 25X47X12		
6	00777301004	ALBERO PIGNONE Z15		
7	00111300015	VITE TE UNI 5739 M8 X 50 8.8 ZNT		
8	00777301005	DISTANZIALE		
9	00777301001	DIFFERENZIALE		
10	00777301006	BOCCOLA SCANALATA		
11	00777301007	ALBERO PIGNONE Z13		
12	00777100016	CUSCINETTO CLA 6203 17X40X12		
13	00777301008	COPERCHIO PIATTO		
14	00777250005	ANELLO BASL 30X52X7		
15	95599370000	SEMIASSE COMPLETO		
16	00777100017	CUSCINETTO CLA 6205 25X52X15		
17	00777301010	CORONA Z 69		
18	00111650008	SEEGER TIPO E X D.24 UNI 7435		
19	00777301011	PATTINO		
20	00111150003	DADO UNI 5589 M8 6S ZNT		
21	00111960004	GRANO M8X20 UNI 5925		
22	00777301012	LEVA DIFFERENZIALE COMPLETO		
23	00777230001	GUARNIZIONE OR 112		
24	00111870004	SPINA A 6X14 UNI 6364		
25	00111000094	VITE TE UNI 5739 M8 X40 8.8 ZNT		
26	00777305702	SEMISCATOLA DX		
27	00111000093	VITE TE UNI 5739 M8 X20 8.8 ZNT		
28	00111990099	"TAPPO/ROSETTA AI SCARICO OLIO 3/8"""		
29	00111990002	SPIA LIVELLO SLC 38 (CON GUARNIZ.)		
30	00777305703	SEMISCATOLA SX		
31	00777301015	PROLUNGA DI COLLEGAMENTO		
32	00777270001	CAPPELLOTTO CHIUSO 62X7		
33	00777305701	SCATOLA SX		
34	00111990004	RACCORDO 90°LMF/A10-1/2		
35	00111990003	TAPPO SF.ANTI.GUAR.1/2G		
36	95001100000	LEVA ESTERNA BLOC.DIFF.		
37	00111700006	SPINA EL SPIROL D.6X28 UNI6875		
38	95001000021	CAVO BLOCC.DIFF.COMPLET.		
39	95001000050	MOLLA BLOCCAGGIO DIFF.		
40	00777270007	CAPPELLOTTO CHIUSO 42X7		
41	00111990102	COLONNETTA M12X1.5X35 UNI 8954 ZNT		
42	00777305700	GR.MECCANICO PLAY GREEN		

PG-SR - 23"



1	00777250024	ANELLO AS 30X47X7		
2	00777100014	CUSCINETTO CLA 6006 30X55X13		
3	00777304801	ALBERO ENTRATA Z=22		
4	00777301003	ALBERO PIGNONE Z31-Z15		
5	00777100015	CUSCINETTO CLA 6005 25X47X12		
6	95303170008	ALBERO PIGNONE Z15		
7	00111990002	SPIA LIVELLO SLC 38 (CON GUARNIZ.)		
8	95303170009	DISTANZIALE		
9	00777301001	DIFFERENZIALE		
10	00777301006	BOCCOLA SCANALATA		
11	95303170002	ALBERO PIGNONE Z12		
12	00111650009	SEEGER TIPO I X D.52 UNI 7437		
13	95303170007	COPERCHIO		
14	00777250025	ANELLO AS 35X55X10		
15	95303170005	SEMIASSE		
16	00777100052	CUSCINETTO RULLI CLA NUP205 EC 25X52 X15		
17	95303170004	CORONA Z=69		
18	00111650028	SEEGER TIPO E X D29 UNI7435		
19	00777301011	PATTINO		
20	00111150003	DADO UNI 5589 M8 6S ZNT		
21	00111960004	GRANO M8X20 UNI 5925		
22	00777301012	LEVA DIFFERENZIALE COMPLETO		
23	00777230001	GUARNIZIONE OR 112		
24	00111870004	SPINA A 6X14 UNI 6364		
25	00111000094	VITE TE UNI 5739 M8 X40 8.8 ZNT		
26	95303170010	SEMISCATOLA DX		
27	00111000093	VITE TE UNI 5739 M8 X20 8.8 ZNT		
28	00111990099	"TAPPO/ROSETTA AI SCARICO OLIO 3/8""		
29	00777100024	CUSCINETTO CLA 6206 30X62X16		
30	95303170001	SEMISCATOLA SX		
31	95303170003	PROLUNGA DI COLLEGAMENTO		
32	00777270001	CAPPELLOTTO CHIUSO 62X7		
33	95303170006	SCATOLA SX		
34	00111990004	RACCORDO 90°LMF/A10-1/2		
35	00111300074	VITE TE UNI 5739 M8x55 8.8 ZNT		
36	95001100000	LEVA ESTERNA BLOC.DIFF.		
37	00111700006	SPINA EL SPIROL D.6X28 UNI6875		
38	95301000021	CAVO COMPLETO BLOCCAGGIO DIFFERENZIALE		
39	95001000050	MOLLA BLOCCAGGIO DIFF.		
40	00777270007	CAPPELLOTTO CHIUSO 42X7		
41	00111000082	DADO UNI 5588 M8 6S ZNT		
42	95311170000	"GRUPPO MECCANICO PG2WD ALTO (23""")"		
43	00111990003	TAPPO SF.ANTI.GUAR.1/2G		
44	00777100051	CUSCINETTO CLA 6205 25X52X15		
45	00777600117	RANELLE RAME 1/2		



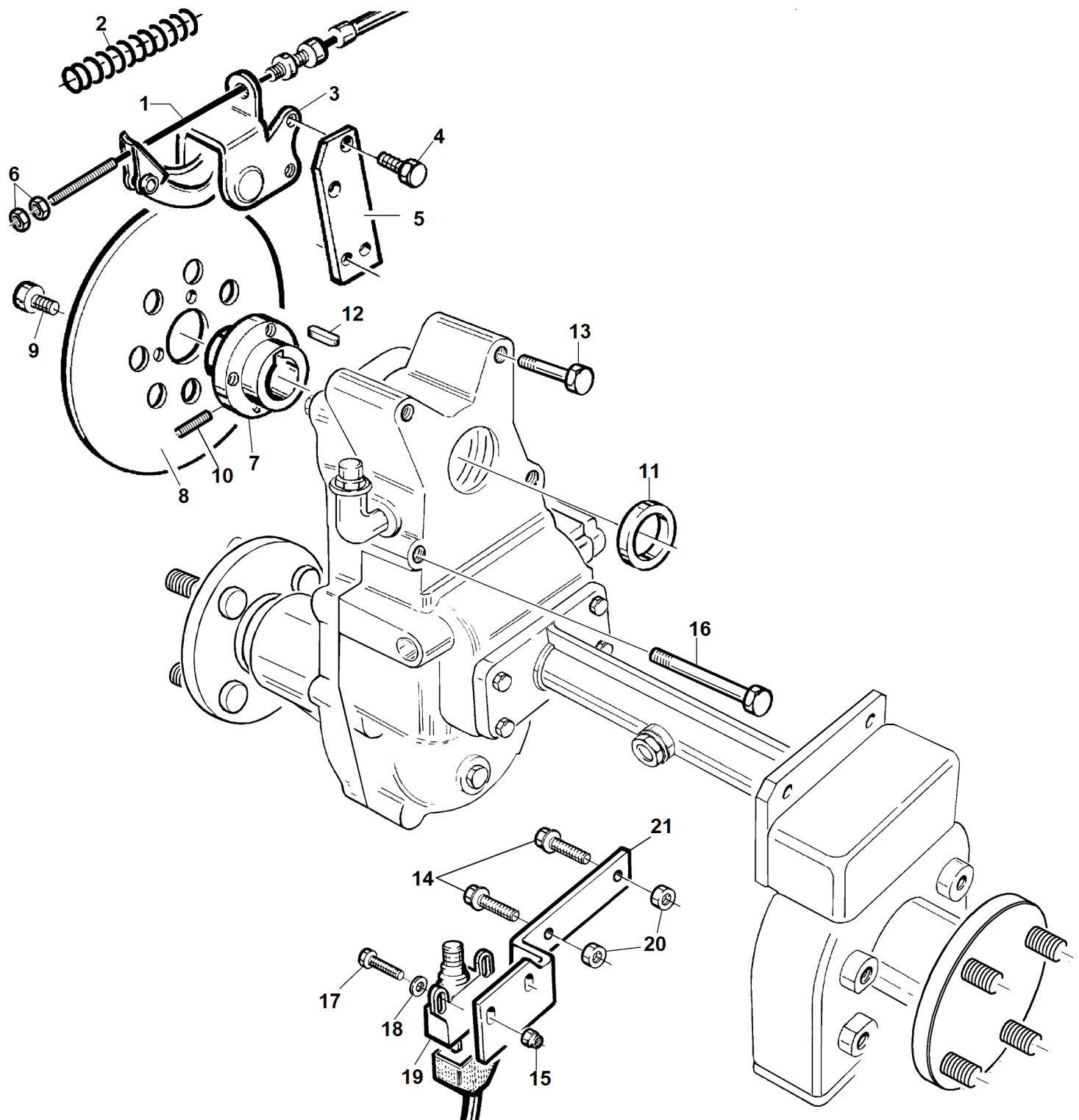
S/N

→ **0805001**

→ **0844570454**

REF. 30 - 00555501053

#	P/N	DESCRIPTION	PG-SR
1	95042000013	CAVO FRENO A MANO PLAY IDRO	
3	95301000036	PINZA FRENO	
4	00111450005	VITE F/R M6X16 LISCIA DACROMET	
5	95303221100	SUPP. PINZA FRENO DI STAZION. COMPL. ZNT	
6	00111000155	DADO UNI 5588 M6 6S ZNT	
7	95042200004	MOZZO FRENO A DISCO VERS.IDRO	
8	00111990023	DISCO FRENO D.160 ZNT	
9	00111000184	VITE TE M5X10 ZNT	
10	00111960003	GRANO M6X10 UNI 5927	
11	95042200003	ANELLO DI CENTRAGGIO	
12	95599000056	COPPIA PASTIGLIE FRENO A DISCO	
13	00111000129	VITE TE UNI 5737 M8 X45 8.8 ZNT	
14	00111450001	VITE F/R M8X25 LISCIA ZNT BIANCA	
15	00111250006	DADO AUTOB.UNI 7473 M4 6S	
16	00111300034	VITE TE UNI 5737 M8 X115 8.8 ZNT	
17	00111300019	VITE TE UNI 5739 M4 X20 8.8 ZNT	
18	00111500010	ROSETTA P.4,3X9X0,8 UNI 6592 ZNT	
19	00777800023	PULSANTE COBO 15117000 -I05010-	
20	00111000071	DADO AUTOB.UNI 7473 M8 6S	
21	95301000011	PIATTO SUPPORTO MICROINTERRUTTORE ZNT	
22	00111900012	LINGUETTA A 5X5X16 UNI 6604	
23	95301000038	PERNO CAVO FRENO DI STAZIONAMENTO ZNT	



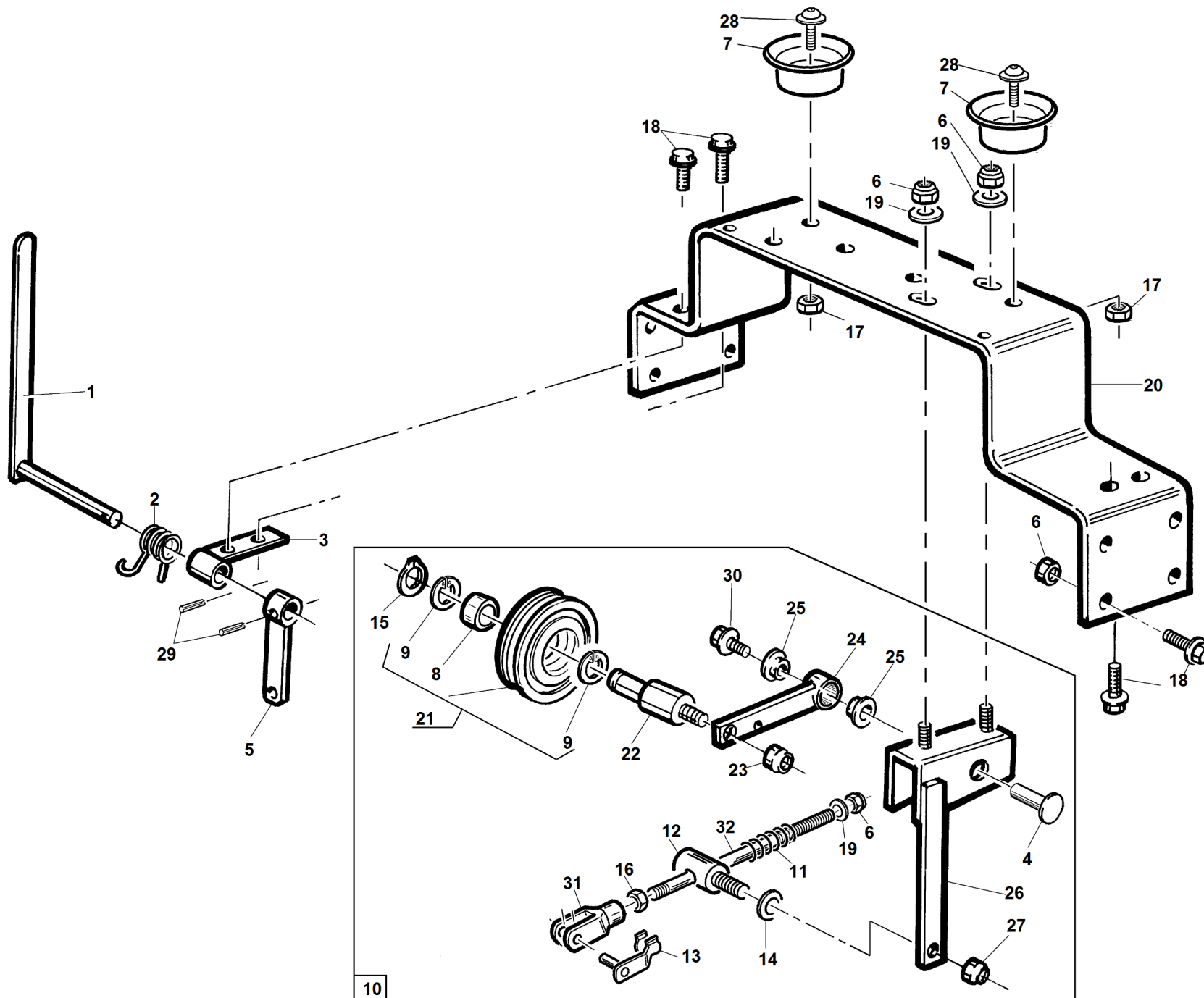
S/N

→ **0603001 ÷ 0804049** ←

→ **06401807 ÷ 08445604** ←

REF. 30 - 00555501030

#	P/N	DESCRIPTION	PG-SR
1	95042000013	CAVO FRENO A MANO PLAY IDRO	
2	95029000016	MOLLA RITORNO FRENO	
3	00111990022	PINZA FRENO DX	
4	00111450005	VITE F/R M6X16 LISCIA DACROMET	
5	95042200005	PIATTO SUPPORTO PINZA FRENO (ZNT)	
6	00111000155	DADO UNI 5588 M6 6S ZNT	
7	95042200004	MOZZO FRENO A DISCO VERS.IDRO	
8	00111990023	DISCO FRENO D.160 ZNT	
9	00111000184	VITE TE M5X10 ZNT	
10	00111960003	GRANO M6X10 UNI 5927	
11	95042200003	ANELLO DI CENTRAGGIO	
12	00111900012	LINGUETTA A 5X5X16 UNI 6604	
13	00111000129	VITE TE UNI 5737 M8 X45 8.8 ZNT	
14	00111450001	VITE F/R M8X25 LISCIA ZNT BIANCA	
15	00111250006	DADO AUTOB.UNI 7473 M4 6S	
16	00111300034	VITE TE UNI 5737 M8 X115 8.8 ZNT	
17	00111300019	VITE TE UNI 5739 M4 X20 8.8 ZNT	
18	00111500010	ROSETTA P.4,3X9X0,8 UNI 6592 ZNT	
19	00777800023	PULSANTE COBO 15117000 -I05010-	
20	00111000071	DADO AUTOB.UNI 7473 M8 6S	
21	95301000011	PIATTO SUPPORTO MICROINTERRUTTORE ZNT	



S/N
→07436010

REF. 31 - 00555501043

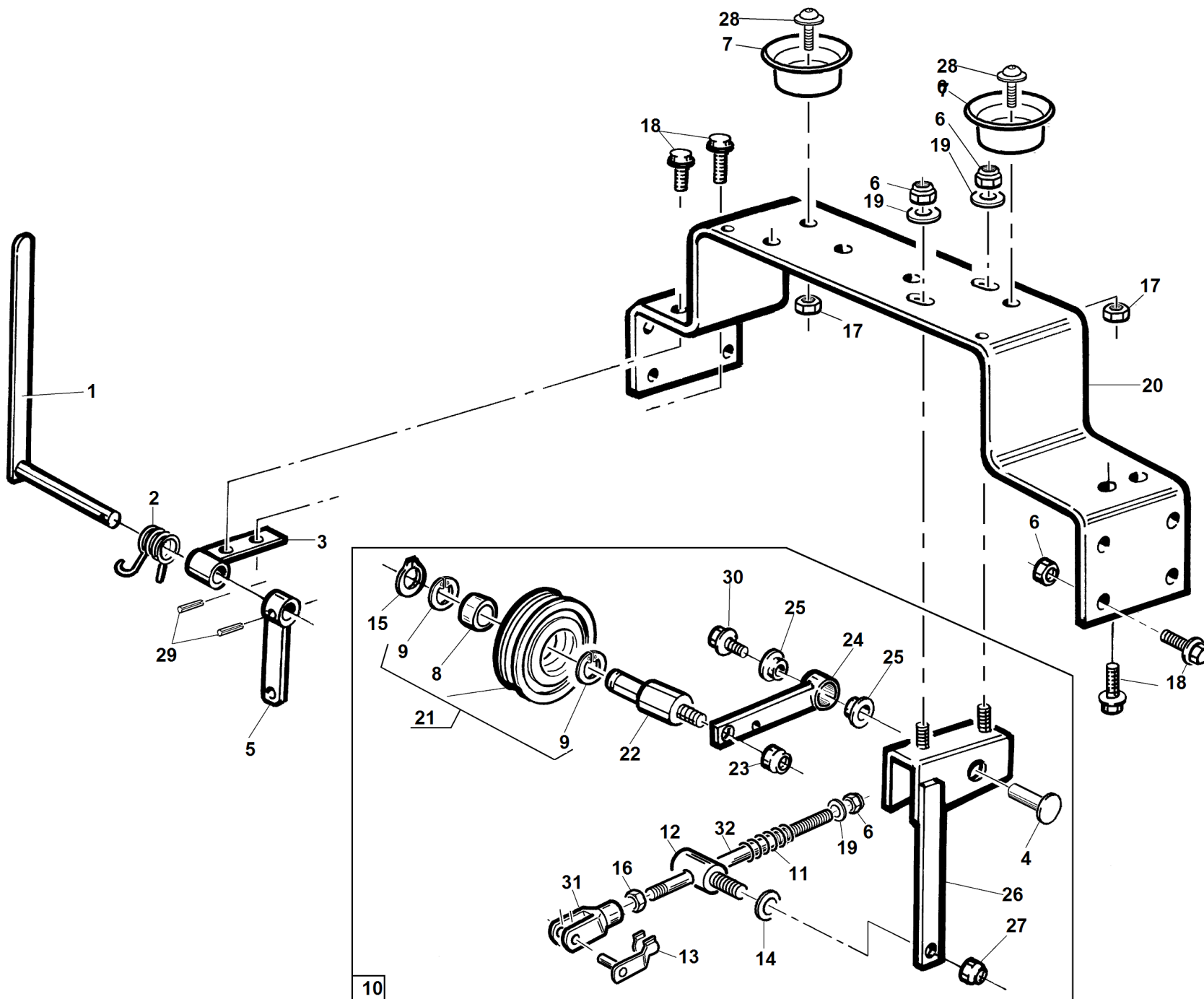
#

P/N

DESCRIPTION

PG-SR

-	1	PRODOTTO FINITO GIARDINAGGIO	
-	10	COMPONENTE GENERICO DI BULLONERIA	
-	2	COMPONENTE GENERICO GIARDINAGGIO	
-	3	PRODOTTO FINITO IVECO COSTRUITO	
-	4	PRODOTTO FINITO IVECO BCL	
-	5	COMPONENTE GENERICO IVECO	
-	6	CAMPIONATURA GIARDINAGGIO	
-	7	CONTENITORE	
-	8	MATERIALE DI CONSUMO	
-	9	MATERIA PRIMA	

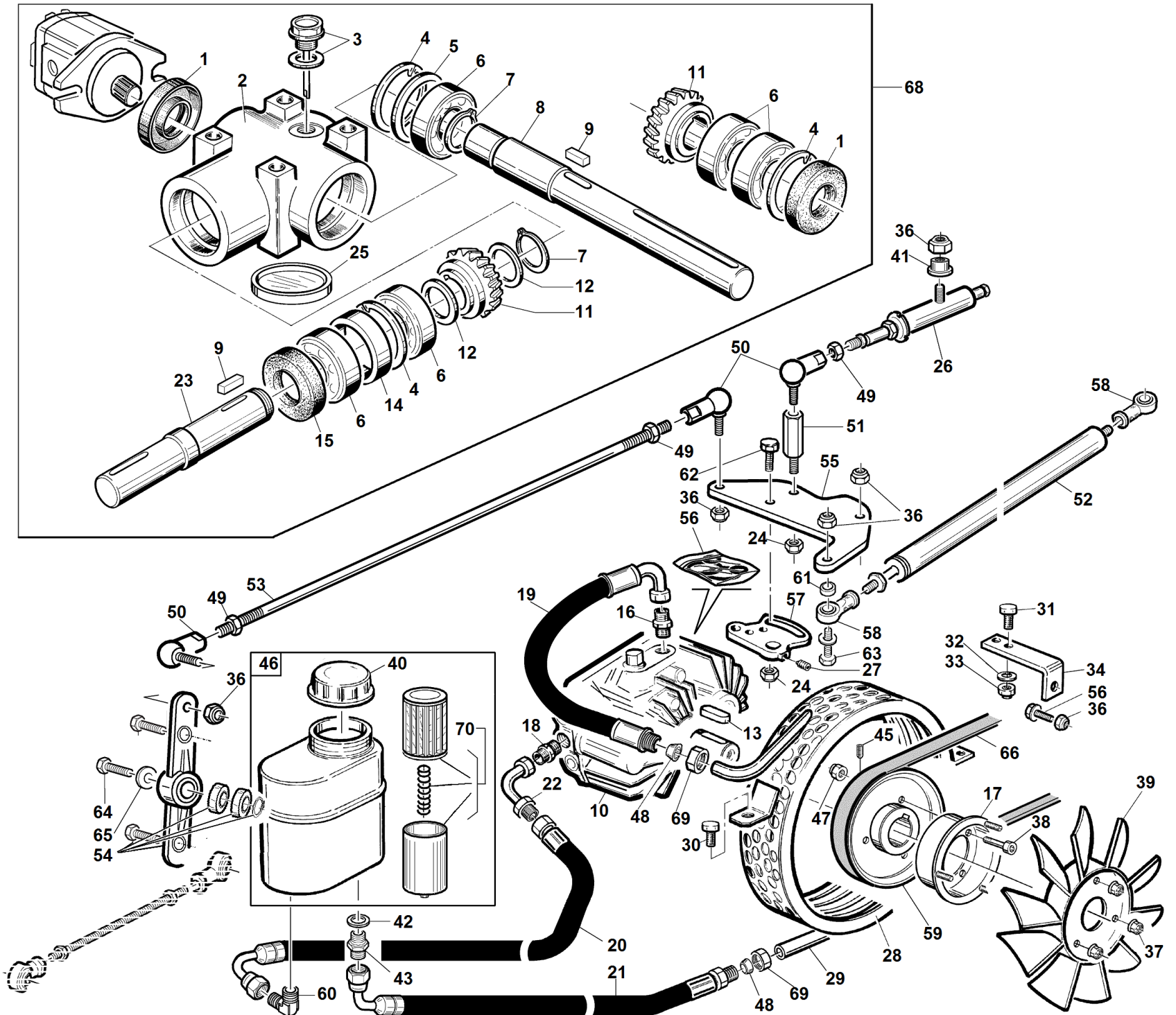


S/N

→06401807 ÷ 07435910←

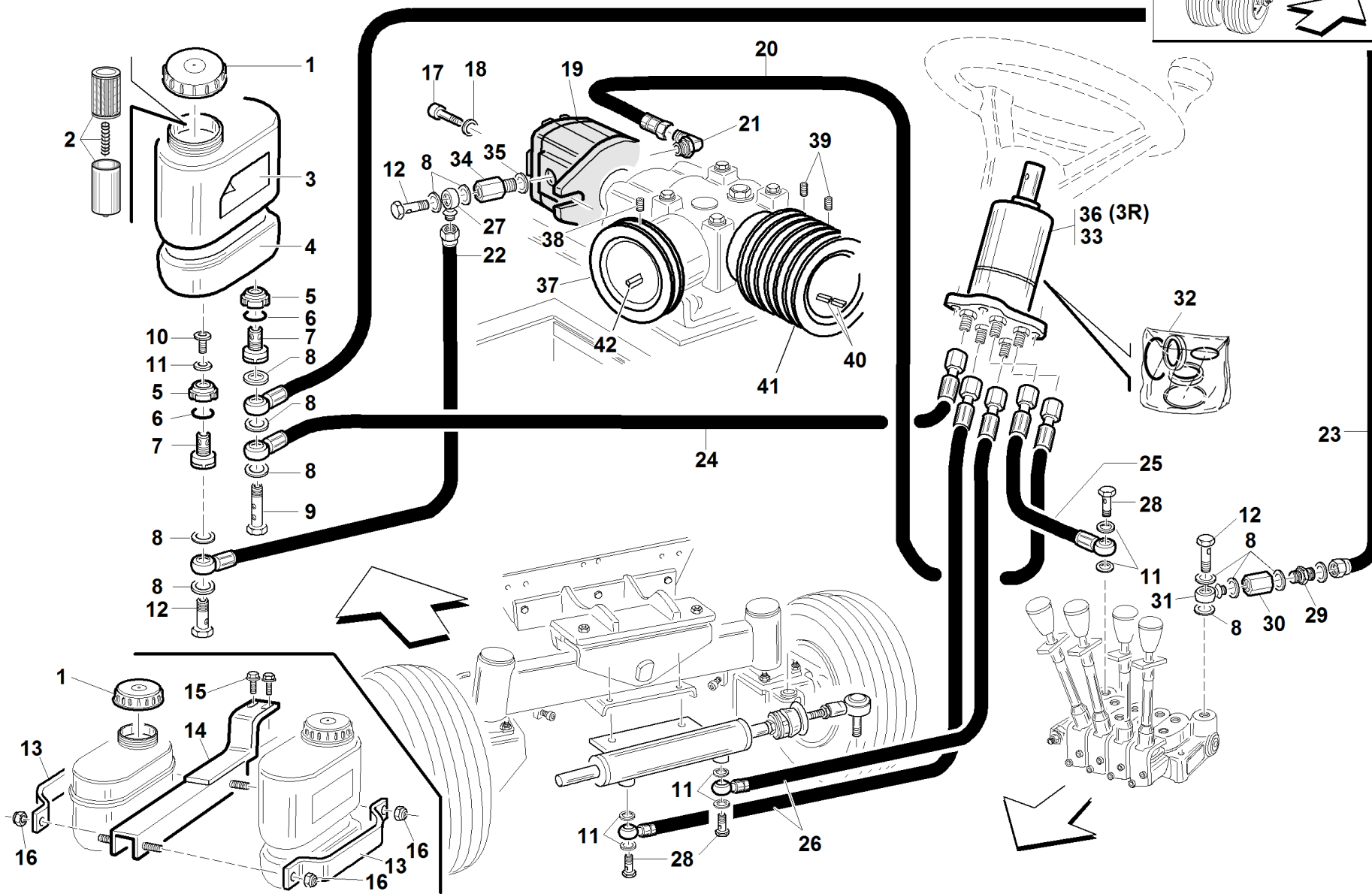
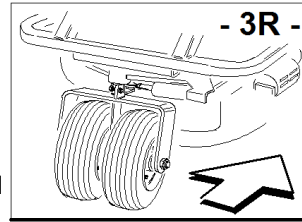
REF. 31 - 00555501031

#	P/N	DESCRIPTION	PG-SR
1	PZ95042187000	ALBERO LEVA BY-PASS COMPL.	
2	95504000019	MOLLA AGGANCIO CARRELLO	
3	PZ95042183000	SUPPORTO LEVA BY-PASS	
4	95200200001	PERNO TENDICINGHIA BDU	
5	PZ95042184000	LEVA BY-PASS COMPL.	
6	00111000071	DADO AUTOB.UNI 7473 M8 6S	
7	95301000001	CENTRAGGIO ANTIVIBRANTE	
8	00777100005	CUSCINETTO CLA 6202 2RS- 15X35X11	
9	00111650005	SEEGER TIPO I X D.35 UNI7437	
10	95311210000	TENDICINGHIA BDU PREMONTATO	
11	94500000088	MOLLA De=14 l=120 Filo=1.5 ZNT	
12	94010820000	TONDO REGISTRO MOLLA PREM.	
13	00111000194	PERNO D.8 ART.4521 (CLIPS)	
14	00111500001	ROSETTA P.10,5X21X2 ZNT	
15	00111650004	SEEGER TIPO E x Ø15 UNI 7436	
16	00111000082	DADO UNI 5588 M8 6S ZNT	
17	00111000166	DADO AUTOB.UNI 7473 M6 6S	
18	00111450003	VITE F/R M8X20 8.8 LISCIA ZNT BIAN.	
19	00111000087	ROSETTA P.8,4X15.6X1,5 ZT	
20	95042181002	PIATTO SUPPORTO SUPERIORE	
21	95599650000	PULEGGIA TENDITORE GR IDRO PG COMP.	
22	95311110001	PERNO TENDITORE	
23	00111250002	DADO AUTOB.UNI 7474 M12 6S	
24	95200201000	LEVA TENDICINGHIA COMPLETA	
25	00111530006	BOCCOLA FRIMET TFF 15X17X12	
26	95200201100	SUPPORTO TENDICINGHIA COMPL.	
27	00111000080	DADO AUTOB.UNI 7474 M10 6S	
28	00111450012	VITE F/R TBCF M6X20 ZNT BIANCA	
29	00111700008	SPINA ELASTICA D.3 X 16	
30	00111000059	VITE F/R M8X14 LISCIA ZNT BIANCA	
31	00111000196	FORCELLA IN M8 -ART. 1801-	
32	95200200002	ASTA TENDICINGHIA	



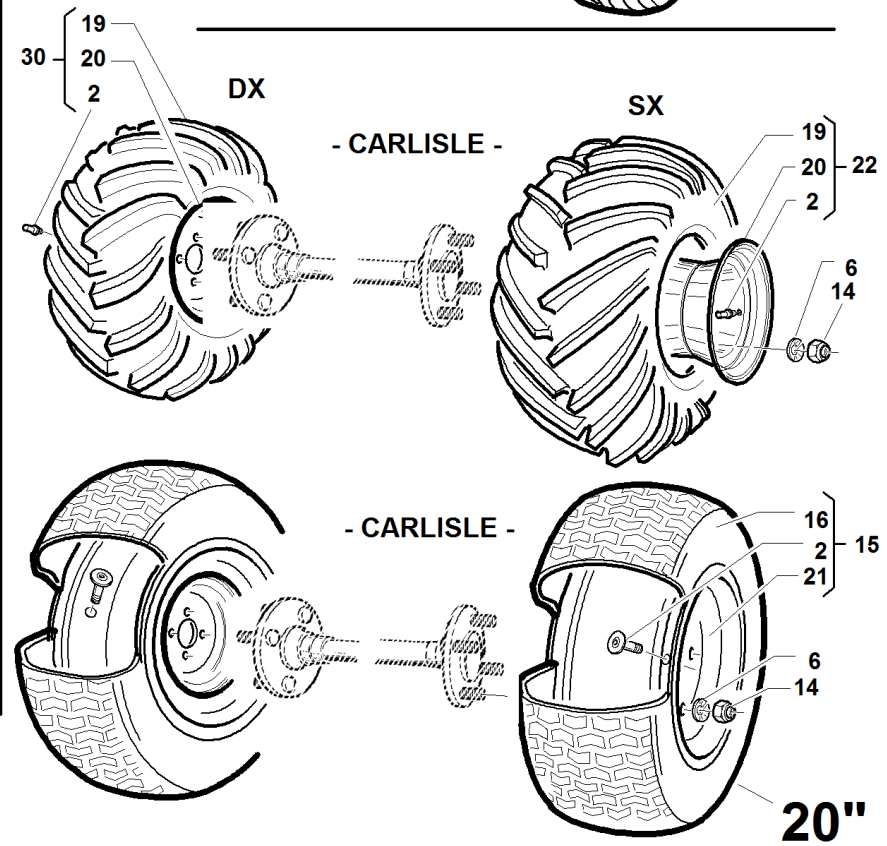
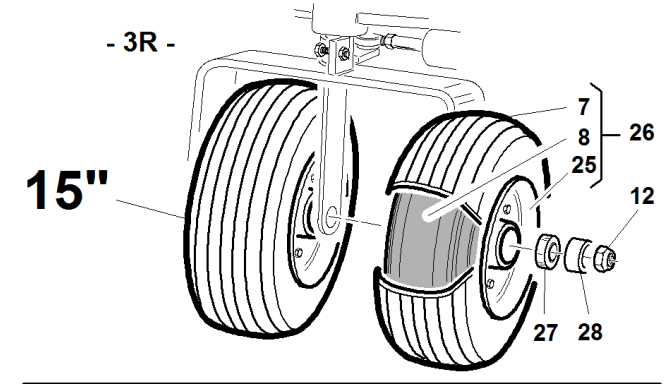
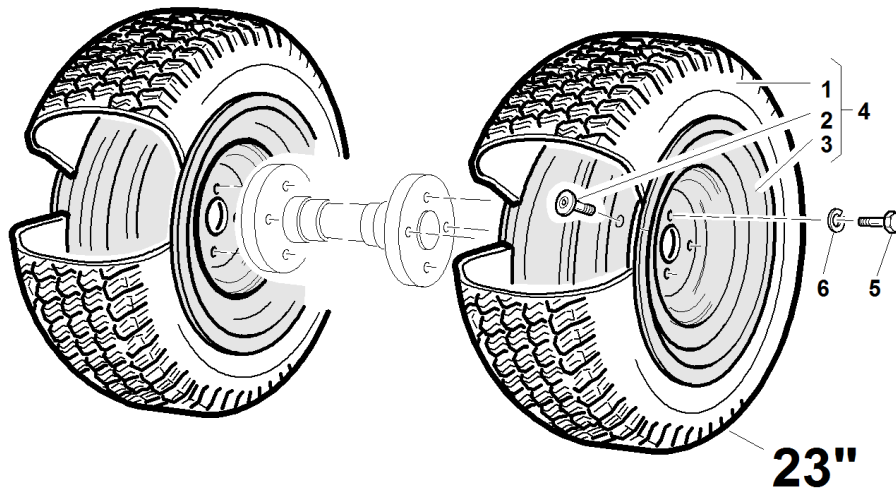
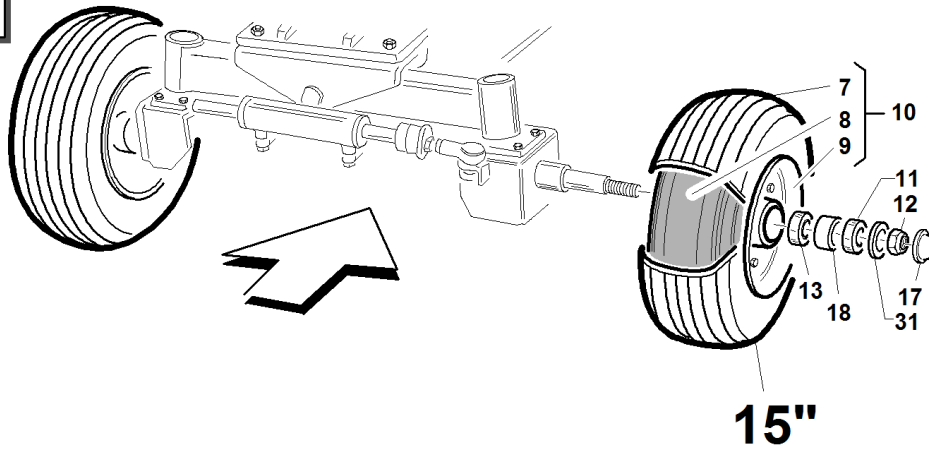
#	P/N	DESCRIPTION	PG-SR
1	00777250007	ANELLO AS 20X52X10	
2	00777305101	SCATOLA 3 USCITE CON SUPP.POMPA	
3	00111990005	TAPPO CARICO-LIV.3/8GAS	
4	00111650009	SEEGER TIPO I X D.52 UNI 7437	
5	95598280000	KIT SPESSORI REG. 42X52	
6	00777100019	CUSCINETTO CLA 6304 20X52X15	
7	00111000057	SEEGER TIPO E X D.20 UNI 7435	
8	00777306501	ALBERO RINVIO 90°CON INNESTO POMPA	
9	00111900018	LINGUETTA B 6X6X14 UNI 6604	
10	00777600021	BDU 10L-222-	
11	00777306000	COPPIA CONICA ELICOIDALE RINFORZ.	
12	95598270000	KIT SPESSORI REG. 20X28	
13	00111900011	LINGUETTA A 5X5X30 UNI 6604	
14	00777305103	DISTANZIALE 39.2X51.5 L=10.25	
15	00777250006	ANELLO AS 25X52X7	
16	95042200006	RACCORDO 7/8 X 3/8	
17	PZ95049141400	FLANGIA FISSAGG.PULEGGIA COMPL.ZNT.	
18	95042200007	RACCORDO 7/16 X 3/8	
19	00777600052	TUBO ASPIRAZIONE BDU COMPLETO	
20	95042380006	TUBO 3/8 1SC F90°3/8-F90°3/8 L=255 90°	
21	95042380005	TUBO RIT L=260 COMPL.DI RAC.-15417-	
22	00777600080	ADATTATORE 90°GAS M+FG 3/8	
23	00777304701	ALBERO USCITA	
24	00111000095	DADO AUTOB.UNI 7474 M8 6S	
25	00777270001	CAPPELOTTO CHIUSO 62X7	
26	95042230000	CILINDRO MECCANICO COMPL.PREMONTATO	
27	00777600023	GRANO LEVA BDU	
28	PC95042290000	CONVOGLIATORE ARIA COMPL.	
29	95042000007	SERPENTINA IN RAME-12X1-	
30	00111450003	VITE F/R M8X20 8.8 LISCIA ZNT BIAN.	
31	00111300011	VITE TE UNI 5739 M6 X20 8.8 ZNT	
32	00111000037	ROSETTA P.6,6X18X2 ZNT UNI 6593	
33	00111000166	DADO AUTOB.UNI 7473 M6 6S	
34	PZ95042000006	SUPPORTO LAMIERA FORATA	
36	00111000071	DADO AUTOB.UNI 7473 M8 6S	
37	00111250012	DADO AUTOB.METB FL CL8 5MA ZNG	
38	00111400028	VITE TCEI.M5X14 8.8 UNI 5931 ZNT	
39	95049141201	VENTOLA 7CW265 CTR SPEC WEB FORATA	
40	00111970056	TAPPO SERBATOIO OLIO	
41	00111530001	BOCCOLA FRIMET TFF 8X10 L=5.5	
42	00777600003	RANELLE RAME 3/8	
43	00777600015	NIPPLO M-M 3/8	
45	00111960003	GRANO M6X10 UNI 5927	
46	00111970094	SERBATOIO OLIO COMPLETO	
47	00111000183	DADO AUTOB.UNI 7473 M5 6S	
48	00777600054	OGIVA CON GUARNIZIONE COD. AR3/C-12	
49	00111000082	DADO UNI 5588 M8 6S ZNT	
50	00777200001	GIUNTO SFERICO AS 13 M8	
51	95049140001	DISTANZIALE M/F M8 CILINDRO MECCANICO	
52	95042400000	CILINDRO IDRAULICO PREM. IDRO-DIES.	
53	94500000070	TIR. FILET. M8 PEDALE AVANZAMENTO	
54	94500390000	LEVA RINVIO PEDALE COMPL.PREMONTATA	
55	95049140002	LEVA AVANZAMENTO ZNT	
56	95599630000	KIT GUARNIZIONI BDU 10L-222-	
57	00777600022	LEVA BDU 321-0750	
58	00777200011	TESTA SNODO CF8 M8x1	
59	95049141300	PULEGGIA GR.IDROSTAT. D.101 COMPL.	
60	00777600115	ADATTATORE ORIENTABILE 90° 3/8 BSPP	
61	94500000051	DISTANZIALE 10.25X16X10.5	

#	P/N	DESCRIPTION	PG-SR
62	00111300061	VITE TE UNI 5739 M8X20 10.9 ZNT	
63	00111300060	VITE TE UNI 5739 M8X35 10.9 ZNT	
64	00111300043	VITE TE UNI 5737 M10X45 8.8 ZNT	
65	00111500013	ROSETTA P.10,5x18x2 ZNT.UNI 6592	
66	00111980034	CINGHIA GATES POWERATED 4L 6842	
68	00777306500	SCATOLA A 3 USCITE CON SUPPORTO POMPA	
69	00777600053	DADO 12 L CODICE 100207	
70	95598640000	KIT CARTUCCIA FILTRO BDU	

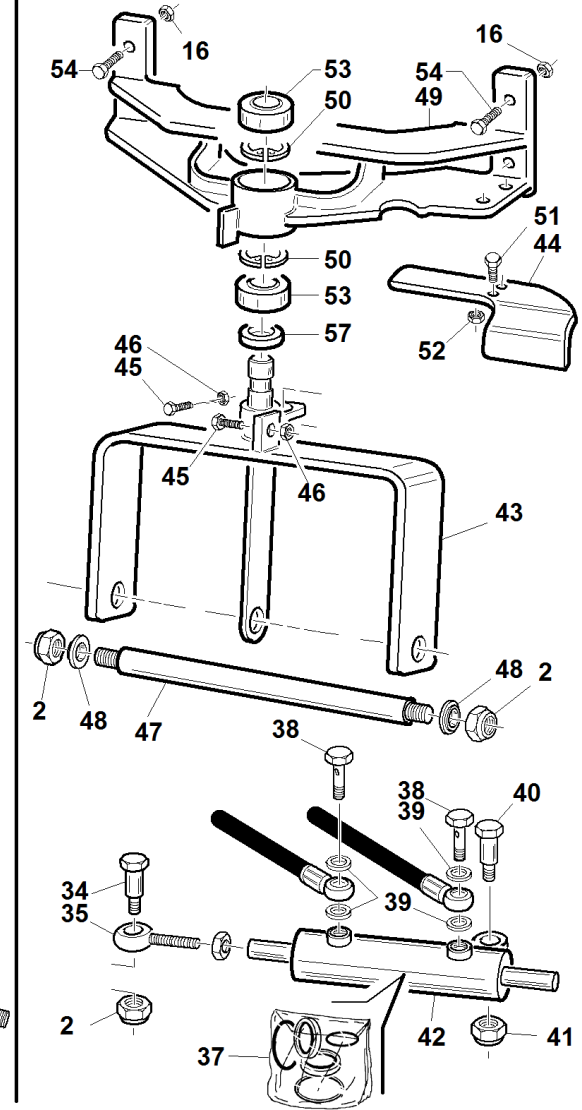
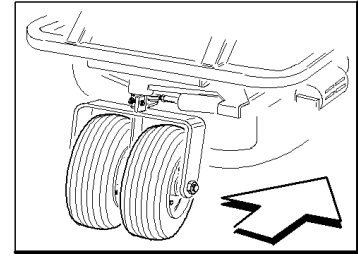
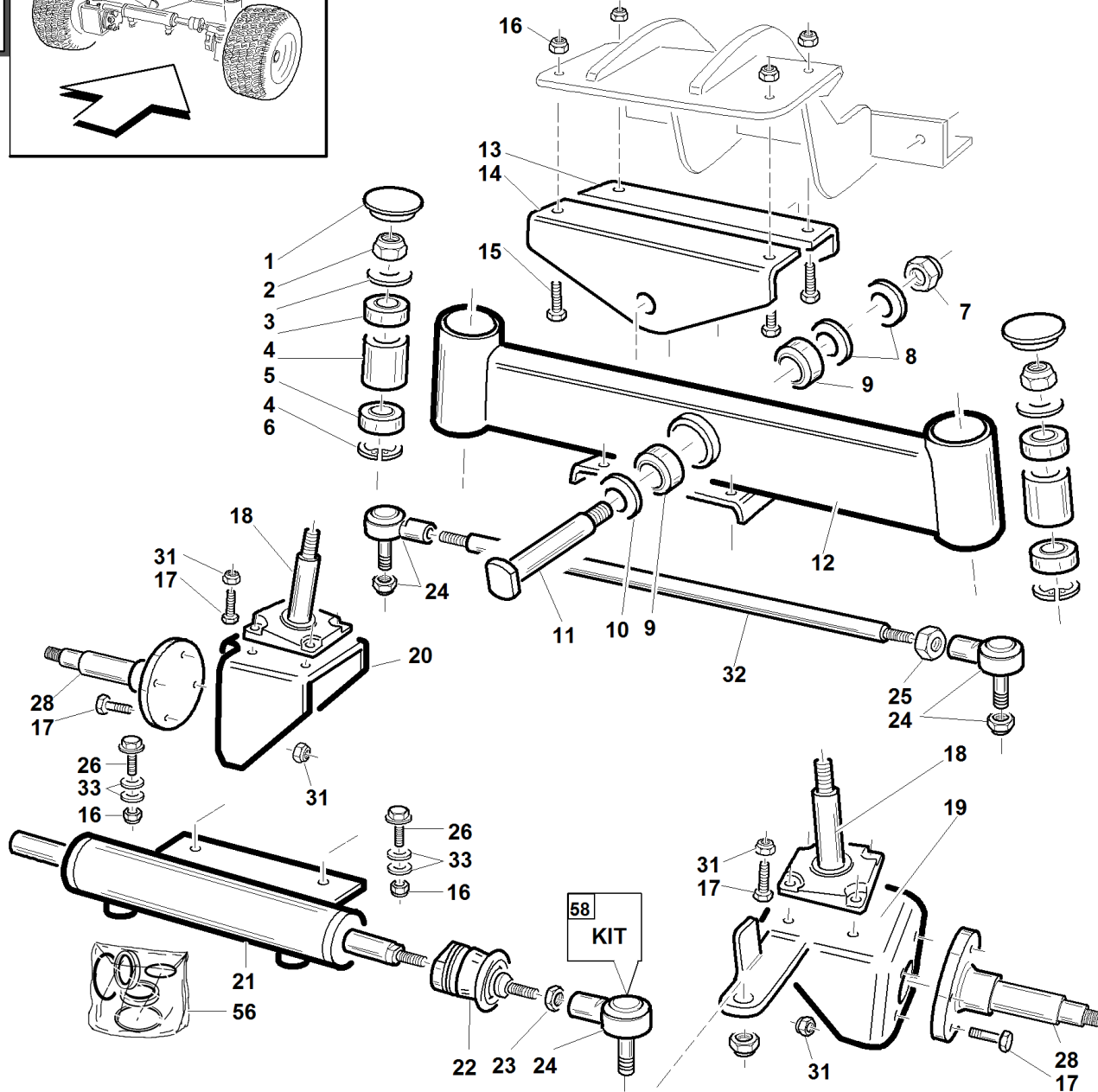
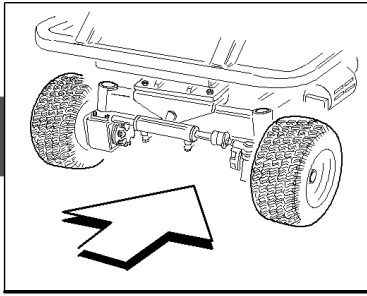


#	P/N	DESCRIPTION	PG-SR
1	00111970056	TAPPO SERBATOIO OLIO	
2	00777650044	CARTUCCIA FILTRO COMPL.BC-BCKSOLT2-	
3	00555200123	DECALCOMANIA LIVELLO SERBATOIO OLIO	
4	94010480000	SERBATOIO OLIO	
5	00111000189	GHIERA AUTOBLOC. 20X1	
6	00777230004	GUARNIZIONE OR 4081	
7	94010000083	RACCORDO SERBATOIO OLIO	
8	00777600003	RANELLE RAME 3/8	
9	00777600133	BULLONE FORATO DOPPIO 3/8	
10	00777600099	"TAPPO DI CHIUSURA 1/4""EI"	
11	00777600001	RANELLE RAME GAS 1/4 Øe.19 SP=1.5	
12	00777600041	VITE CAVA 3/8	
13	PZ95042000005	FASCETTA FISSAGGIO SERBATOIO OLIO	
14	PZ95060100000	SUPPORTO SERBATOIO OLIO COMPL.ZNT.	
15	00111450003	VITE F/R M8X20 8.8 LISCIA ZNT BIAN.	
16	00111000166	DADO AUTOB.UNI 7473 M6 6S	
17	00111000062	VITE BRUG.M10X25 8.8 UNI 5931 ZNT	
18	00111500013	ROSETTA P.10,5x18x2 ZNT.UNI 6592	
19	00777600145	POMPA INGRANAGGI PG/SR	
20	95301000025	TUBO 1/4 1SC	
21	00777600146	ADATTATORE ORIENT 90° 3/8GAS-9/16-18UNF	
22	95303000055	TUBO 3/8 1SN	
23	95042380008	TUBO R17 L=920 COMPL.DI RAC.-15419-	
24	95301000024	TUBO 1/4 1SN	
25	95301000023	TUBO 1/4 1SC	
26	95301000022	TUBO 1/4 1SC	
27	00777600081	OCCHIO FILETTATO GAS 3/8X3/8	
28	00777600040	BULLONE CAVO SEMPLICE 1/4	
29	00777600147	NIPLES 1/4-3/8 ORIFICIO 2	
30	00777600138	PROLUNGA BSP F/F 1/4 L=35	
31	00777600141	OCCHIO BSP 3/8 FILETTO 1/4 CON BATTUTA	
32	95599620000	KIT GUARNIZIONI IDROGUIDA POWER BEYOND	
33	95303000027	IDROGUIDA POWER BEYOND 50cc STM	
34	00777600085	RIDUZIONE M3/4-16UNF F3/8 L=28	
35	00777230013	GUARNIZIONE OR 119(S=2,62 D=15)	
36	95325000003	IDROGUIDA POWER BEYOND 32cc	
37	95049151100	PULEGGIA RINVIO A 90°D 101 COMPL.	
38	00111960003	GRANO M6X10 UNI 5927	
39	00111960002	GRANO M8X16 UNI 5927	
40	00111900007	LINGUETTA A 6X6X40 UNI 6604	
41	95302100006	PULEGGIA A 6 GOLE	
42	00111900001	LINGUETTA A 6X6X25 UNI 6604	

PG-SR



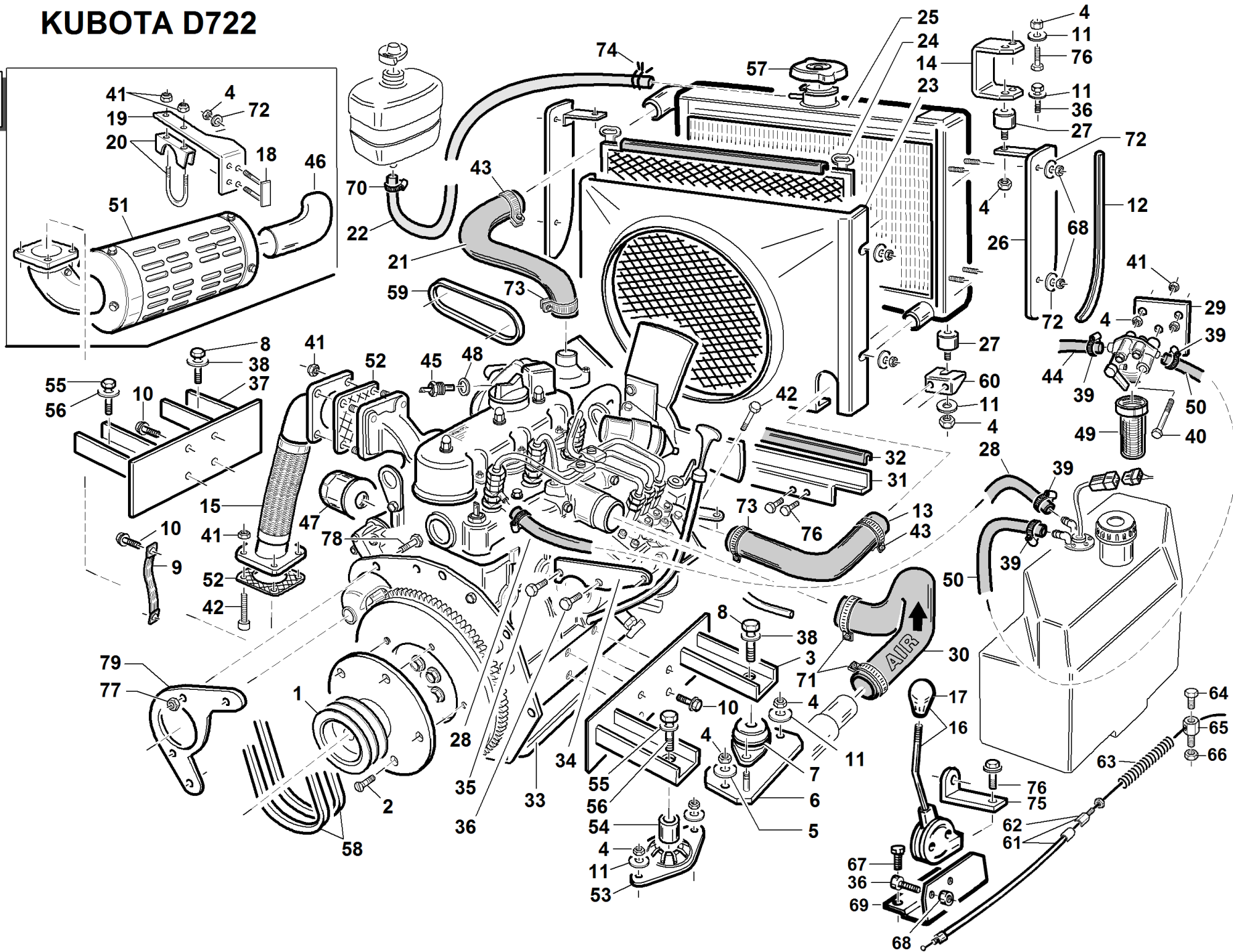
#	P/N	DESCRIPTION	PG-SR
1	00111940024	PNEUMATICO 23X10.50-12 CARLISLE 4PR	
2	00111930006	VALVOLA TUBELESS CORTA TR412	
3	95303130001	CERCHIO 8.50X12	
4	95303130000	RUOTA 23X10.50-12	
5	00111300055	VITE TE UNI5740 M12X1.25X25 8.8 ZNT	
6	00111550004	ROSETTA ELASTICA M12 DIN 74361	
7	00111940025	CARLISLE STRAIGHTRIB 15X6.00-6 4PLY	
8	00111930005	CAMERA ARIA 15.6.00X6 TR13	
9	95311121000	CERCHIO PNEUMATICO 15x6.00-6	
10	95311120000	RUOTA CARLISLE 15X6.00-6 COMPLETA	
11	00777100008	CUSCINETTO CLB 6204 2RS 20X47X14	
12	00111250011	DADO AUTOB.UNI 7474 M14x1,5 6S	
13	00777100028	CUSCINETTO CLA 6303 2RS- 17X47X14	
14	00111250009	DADO AUTOB.UNI 7473 M12X1,5	
15	95208110000	RUOTA CARLISLE 20 X 10.00-8 COMPL.	
16	95208110001	PNEUMATICO CARLISLE 20x10.00-8 4PR	
17	00777270005	CAPPELLOTTO Ø=47-a05.470-CATAFORESI NERA	
18	95311121001	DISTANZIALE 21x30x35	
19	00111940021	PNEUMATICO CARL. 21x11.00-8 ARTIGL.	
20	95175100000	"CERCHIO 10.00X8" L=266"	
21	95046200001	CERCHIO 20 x 7.00x8-F42621.112000206-	
22	95218110000	RUOTA COMPL. SX 21x11.00-8 CARLISLE	
26	95325120000	RUOTA CARLISLE 15X6.00-6 COMPLETA PG3R	
27	00777100005	CUSCINETTO CLA 6202 2RS- 15X35X11	
28	95599000030	DISTANZIALE	
30	95218100000	RUOTA COMPL. DX 21x11.00-8 CARLISLE	
31	95303110004	DISTANZIALE Ø14,5XØ35X3	



#	P/N	DESCRIPTION	PG-SR
1	94500000087	PROTEZ. CUSCINETTO INTERNO SEMIASSE	
2	00111250011	DADO AUTOB.UNI 7474 M14x1,5 6S	
3	95303110004	DISTANZIALE Ø14,5XØ35X3	
4	00777100012	CUSCINETTO CLB 6006 2RS 30X55X13	
5	95303110005	DISTANZIALE Ø31XØ36X45	
6	00111650003	SEGER TIPO I X D.55 UNI 7437	
7	00111250007	DADO AUTOB.UNI 7474 M20X1,5 H=17	
8	95303110003	DISTANZIALE Ø20.5XØ35X3	
9	00777100053	CUSCINETTO CLB 61906 -2RS1 30X47X9	
10	95303110001	DISTANZIALE Ø30.3XØ38X3	
11	95303110002	PERNO ASSALE	
12	95301200000	ASSALE POSTERIORE COMPLETO	
13	95303000009	FORCELLA ANTERIORE ASSALE	
14	95303000010	FORCELLA POSTERIORE ASSALE VERNICIATA	
15	00111000103	VITE TE UNI 5739 M10X30 8.8 ZNT	
16	00111250013	DADO AUTOB.UNI 7473 M10 10S	
17	00111300052	VITE TE UNI 5739 M8 X30 12.9 ZNT	
18	95303110007	PERNO DI STERZO	
19	95311161100	SUPPORTO DX ALBERO RUOTA 2WD COMP. VRN	
20	95311161000	SUPPORTO SX ALBERO RUOTA 2WD COMP. VRN	
21	95301000013	MARTINETTO DI STERZO	
22	00777200024	SNODO ASSIALE M14x1.5-PERNO SF.28 M12	
23	00111150024	DADO UNI 5589 - M12X1.25 - 6S ZNT	
24	00777200023	TESTA STERZO FEMM. M12x1.25 CT.50	
25	00111500027	DADO ESAGONALE M12X1.25 UNI 5588 ZNT	
26	00111300084	VITE TE UNI 5739 M10X35 10.9 ZNT	
28	95311160001	ALBERO RUOTA 2WD	
31	00111250025	DE AUT METB FL CL10 8MA ZNT	
32	95303000011	TIRANTE STERZO	
33	00111550005	RONDELLA ELASTICA CONICA M10 DIN6796 ZNT	
34	95097000008	PERNO TIRANTE STERZO	
35	00777200016	TESTA DI BIELLA TM14 MASCHIO DX	
36	00111250011	DADO AUTOB.UNI 7474 M14x1,5 6S	
37	95599170000	KIT GUARNIZ.CIL.OGNIBENE 972060060	
38	00777600040	BULLONE CAVO SEMPLICE 1/4	
39	00777600001	RANELLE RAME GAS 1/4 Øe.19 SP=1.5	
40	95060000001	VITE FISSAGGIO CILINDRO	
41	00111250008	DADO AUTOB.UNI 7473 M12 6S	
42	95097200000	CILINDRO DOPPIO STELO	
43	95598130000	KIT FORCELLA RUOTA GEMELLATA	
44	95325000002	PROTEZIONE CILINDRO STERZATURA VERN.	
45	00111000033	VITE TE UNI 5739 M8 X30 8.8 ZNT	
46	00111000082	DADO UNI 5588 M8 6S ZNT	
47	95325000001	PERNO RUOTA GEMELLATA	
48	95500000075	DISTANZIALE RUOTA POSTERIORE	
49	95325100000	SUPPORTO FORCELLA RUOTA GEM. COMPL.VERN	
50	00111650037	SEGER TIPO E X Ø25 UNI 7435	
51	00111450002	VITE F/R M8X30 8.8 LISCIA ZNT BIAN.	
52	00111000071	DADO AUTOB.UNI 7473 M8 6S	
53	00777100001	CUSCINETTO CLA 6205 2RS 25X52X15	
54	00111300029	VITE TE UNI 5739 M10X55 8.8 ZNT	
56	95599610000	KIT PARAOLI MARTINETTO DI STERZATURA	
57	95325000004	DISTANZIALE 25.5X40X6 ZNT	
58	95598240000	KIT CUFFIA TESTA STERZO	

KUBOTA D722

PG-SR

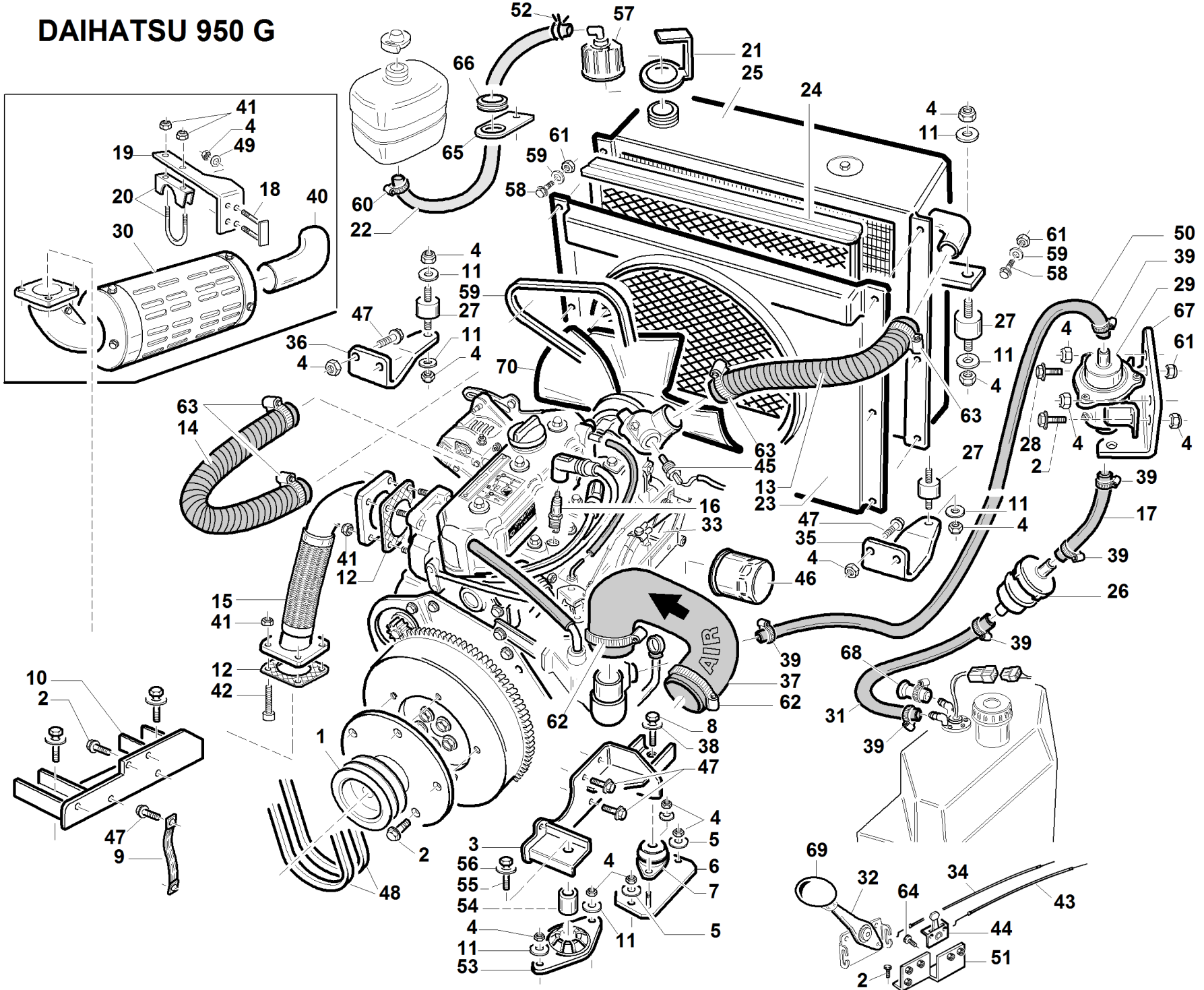


#	P/N	DESCRIPTION	PG-SR	REF. 36 - 00555501036
1	95309000001	PULEGGIA MOTORE KUBOTA		
2	00111000093	VITE TE UNI 5739 M8 X20 8.8 ZNT		
3	95124100000	SUPPORTO MOTORE SX COMPLETO ZINCATO		
4	00111000071	DADO AUTOB.UNI 7473 M8 6S		
5	00111000132	ROSETTA P. D.8,4X32X2,5 ZNT		
6	95124210000	PIASTRA SUPPORTO SILENT-B.COMP. ZNT		
7	00111970104	ANTIVIBRANTE MOTORE -RAEM 60-		
8	00111300041	VITE TE UNI 5739 M12X35 8.8 ZNT		
9	00777800052	TRECCIA DI MASSA mm210		
10	00111400031	VITE TCEI M10X20 8.8 UNI 5932 ZNT		
11	00111000061	ROSETTA Ø 8,4X24 SP.2 ZNT		
12	95049000021	GUARNIZIONE 229/6 L=360		
13	95124000013	MANICOTTO USCITA RADIATORE		
14	95309000002	SUPPORTO RADIATORE KUBOTA VERNICIATO		
15	95201110000	TUBO FLESS.SGC RACCORDATO C/FLANGE		
16	95049171000	LEVA ACCELERATORE COMPL.PIEGATA		
17	00111990034	POMELLO TONDO M8 -1AC02005-		
18	95124160000	PIASTRINA FISS. MARMITTA COMP. ZNT		
19	95124000008	STAFFA SUPPORTO MARMITTA ZNT		
20	00111810025	FASCETTA MARMITTA Ø42 COMPL.		
21	95124000006	MANICOTTO ENTRATA RADIATORE		
22	95124000017	TUBO SERBATOIO RECUPERO ACQUA		
23	95124000001	CONVOGLIATORE ARIA DIESEL KUBOTA		
24	95201120000	RETE PULIZIA RADIATORE COMPL.		
25	95124000002	RADIATORE COMPLETO DIESEL KUBOTA		
26	PC95049000011	CHIUSURA LATERALE RADIATORE-CATAF.-		
27	00111970127	TAMPONE M/F M8 Ø30X20 207/100		
28	95201000008	TUBO RITORNO GASOLIO		
29	95124000018	SUPPORTO FILTRO NAFTA ZNT.		
30	95124000007	MANICOTTO FILTRO ARIA KUBOTA		
31	PZ95049000002	LAM. FISSAGGIO RADIATORE DIESEL ZNT		
32	95049000020	GUARNIZIONE 229/6 L=500		
33	00777700019	MOTORE KUBOTA DIESEL 20 HP D722		
34	95124000009	STAFFA CAVO ACCELERATORE ZNT		
35	00111000034	VITE TE UNI 5739 M6 X10 8.8 ZNT		
36	00111000059	VITE F/R M8X14 LISCIA ZNT BIANCA		
37	95124110000	SUPPORTO MOTORE DX COMPLETO ZINCATO		
38	00111550003	ROSETTA ELASTICA M12 UNI 1751		
39	00111810010	FASCETTA 10-16 TIPO NORMA		
40	00111300025	VITE TE UNI 5737 M6X50 8.8 ZNT		
41	00111250018	"DADO""CONEKLOK"" M8 ZTR DIN 980 ZNT"		
42	00111000094	VITE TE UNI 5739 M8 X40 8.8 ZNT		
43	00111810009	FASCETTA 25-40 TIPO NORMA		
44	95124000012	TUBO NAFTA L=600		
45	00777800123	SENSORE TEMPERATURA ACQUA		
46	00111990079	"TERMINALE MARMITTA ""KUBOTA"""		
47	00777650046	FILTRO OLIO MOTORE KUBOTA		
48	00777600003	RANELLE RAME 3/8		
49	00777650047	FILTRO GASOLIO MOTORE KUBOTA		
50	95201000007	TUBO ASPIRAZIONE GASOLIO		
51	00111990077	KIT MARMITTA 84 X KUBOTA 722 COMPL.		
52	00111990086	GUARN. COLLETTORE MARMITTA KUBOTA		
53	00111970050	TASSELLO ANTIVIB. MOTORE 4896106		
54	95124220001	DISTANZIALE Ø25X8 L=27		
55	00111000031	VITE TE UNI 5739 M8 X65 8.8 ZNT		
56	00111000179	ROSETTA GROWER M.8 ZNT		
57	95049230001	TAPPO RADIATORE -1 BAR-		
58	95599520000	KIT COPPIA CINGHIE DAYCO SPAX900		
59	00111980028	CINGHIA ALTERNATORE KUBOTA		

#	P/N	DESCRIPTION	PG-SR
60	PZ95500151100	ANGOLARE SUP. PULEGGE COMPLETO ZIN.	
61	95124190001	CAVO ACC.KUBOTA COMPLETO	
62	95124000015	REGISTRO CAVO ACCELERATORE	
63	95124000016	MOLLA RITORNO CAVO ACCELERATORE	
64	00111000184	VITE TE M5X10 ZNT	
65	95124000014	FERMO CAVO ACCELERATORE	
66	00111000035	DADO AUTOB.UNI 7474 M6 6S	
67	00111000014	VITE TSPEI M6X16 ZNT	
68	00111000166	DADO AUTOB.UNI 7473 M6 6S	
69	PZ95060000003	SUPPORTO ACCELERATORE DIESEL ZNT	
70	00111810008	FASCETTA 12-20 TIPO NORMA	
71	00111810034	FASCETTA INOX 32-50	
72	00111000037	ROSETTA P.6,6X18X2 ZNT UNI 6593	
73	00111810013	FASCETTA 20-32 TIPO NORMA	
74	00111810015	FASCETTA FILO D.1,5 D.I.12,6-82031-	
75	PZ95514111301	SUPPORTO PIEGATO PROTEZ. CORONA ZNT	
76	00111450003	VITE F/R M8X20 8.8 LISCIA ZNT BIAN.	
77	00111250014	DADO AUTOB.UNI 7473 M8 10S	
78	00111300060	VITE TE UNI 5739 M8X35 10.9 ZNT	
79	95309000005	PIATTO DI RINFORZO KUBOTA ZNT	

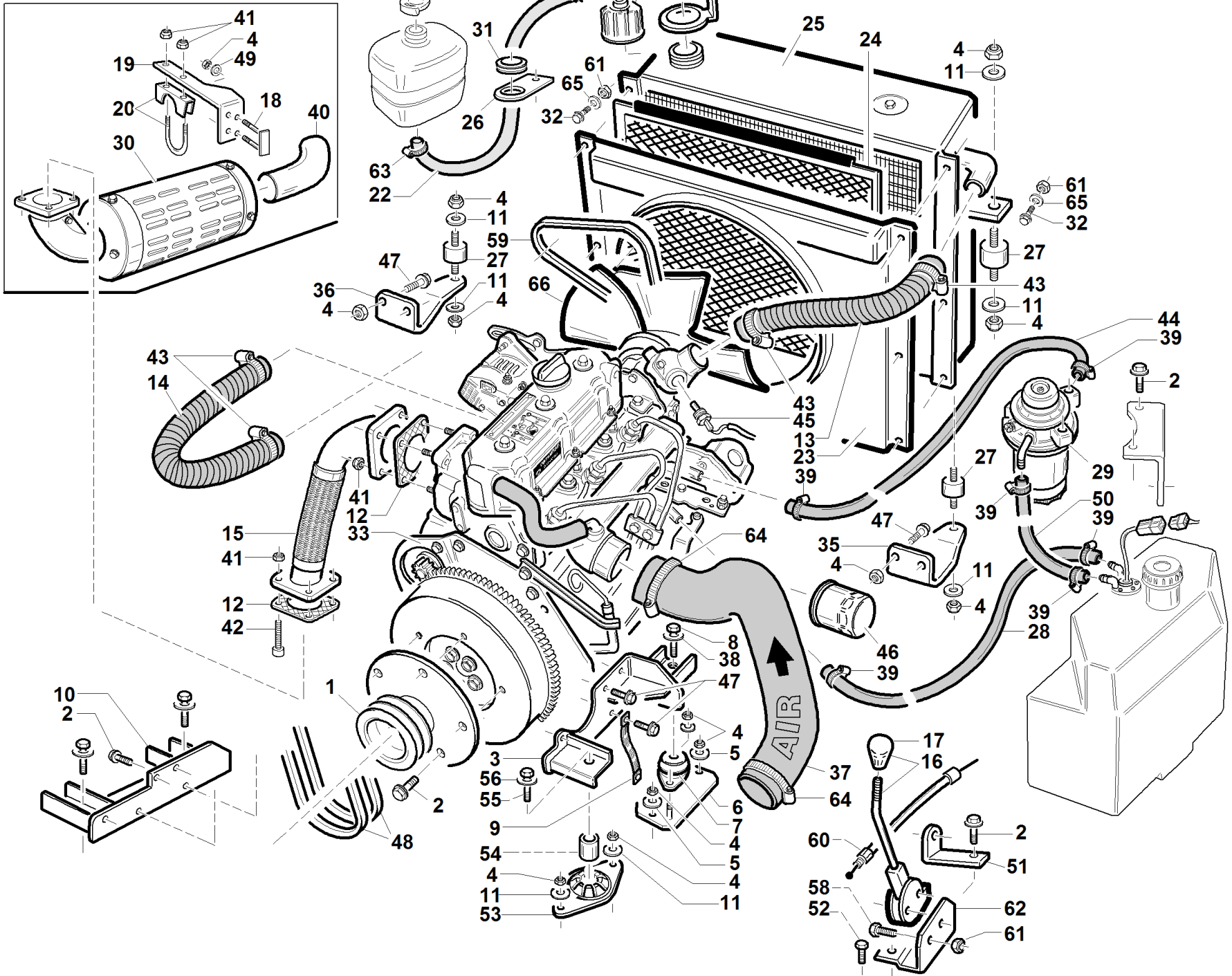
DAIHATSU 950 G

PG-SR



1	95304000003	PULEGGIA MOTORE DAIHATSU		
2	00111450003	VITE F/R M8X20 8.8 LISCIA ZNT BIAN.		
3	95304110000	SUPPORTO SX COMPLETO MOTORE DAIHATSU ZNT		
4	00111000071	DADO AUTOB.UNI 7473 M8 6S		
5	00111000132	ROSETTA P. D.8,4X32X2,5 ZNT		
6	95124210000	PIASTRA SUPPORTO SILENT-B.COMP. ZNT		
7	00111970104	ANTIVIBRANTE MOTORE -RAEM 60-		
8	00111300041	VITE TE UNI 5739 M12X35 8.8 ZNT		
9	00777800052	TRECCIA DI MASSA mm210		
10	95304100000	SUPPORTO DX COMPLETO MOTORE DAIHATSU ZNT		
11	00111000061	ROSETTA Ø 8,4X24 SP.2 ZNT		
12	00111990114	GUARN. COLLETTORE MARMITTA DAIHATSU		
13	95304000007	MANICOTTO OUT RADIATORE Ø25 L=550mm		
14	95304000006	MANICOTTO IN RADIATORE Ø25 L=310mm		
15	95315000001	COLLETTORE MARMITTA COMPLETO		
16	00777750001	CANDELA 491055		
17	95317000002	TUBO BENZINA FILTRO-POMPA		
18	95124160000	PIASTRINA FISS. MARMITTA COMP. ZNT		
19	95124000008	STAFFA SUPPORTO MARMITTA ZNT		
20	00111810025	FASCETTA MARMITTA Ø42 COMPL.		
21	95304000012	PROTEZIONE TAPPO RADIATORE ZNT		
22	95124000017	TUBO SERBATOIO RECUPERO ACQUA		
23	95303000056	CONVOGLIATORE SCAMBIATORE		
24	95315130000	RETE RADIATORE COMPLETA		
25	95315000003	RADIATORE DAIHATSU		
26	95599970000	FILTRO CARBURANTE MOTORE DAIHATSU 950G		
27	00111970119	TAMPONE ANTVIBR.M8 H=20 207/170		
28	00111450005	VITE F/R M6X16 LISCIA DACROMET		
29	95599960000	POMPA CARBURANTE MOTORE DAIHATSU 950G		
30	95599000043	MARMITTA DAIHATSU		
31	95317000003	TUBO BENZINA SERBATOIO-FILTRO		
32	00111990104	MANETTINO CON TACCHE/POMELLO NERO		
33	00777700027	MOTORE DAIHATSU 950G		
34	95179000001	CAVO ACCELERATORE COMPLETO KOHLER		
35	95303000023	SUPPORTO RADIATORE SX ZINCATO		
36	95303000022	SUPPORTO RADIATORE DX ZINCATO		
37	95317000001	MANICOTTO ASPIRAZIONE MOTORE		
38	00111550003	ROSETTA ELASTICA M12 UNI 1751		
39	00111810010	FASCETTA 10-16 TIPO NORMA		
40	95304000004	TERMINALE MARMITTA DAIHATSU		
41	00111250018	"DADO"CONEKLOK" M8 ZTR DIN 980 ZNT"		
42	00111400022	V.BRUG. M8X35 TUTTO FILETTO 8.8 ZNT		
43	95104000005	CAVO COMPLETO		
44	00111000192	MANETTINO STARTER ACC.C/POM.STACCAT		
45	00777800123	SENSORE TEMPERATURA ACQUA		
46	00777650062	FILTRO OLIO MOTORE DAIHATSU		
47	00111450001	VITE F/R M8X25 LISCIA ZNT BIANCA		
48	95598530000	KIT COPPIA CINGHIE QUAD PAWER III XPA932		
49	00111000037	ROSETTA P.6,6X18X2 ZNT UNI 6593		
50	95317000004	TUBO BENZINA POMPA-MOTORE		
51	PZ95070110000	SUP. STARTER ACCELERATORE COMP. ZNT		
52	00111810015	FASCETTA FILO D.1,5 D.I.12,6-82031-		
53	00111970050	TASSELLO ANTIVIB. MOTORE 4896106		
54	95124220001	DISTANZIALE Ø25X8 L=27		
55	00111000031	VITE TE UNI 5739 M8 X65 8.8 ZNT		
56	00111000179	ROSETTA GROWER M.8 ZNT		
57	95599000042	TAPPO RADIATORE		
58	00111300011	VITE TE UNI 5739 M6 X20 8.8 ZNT		
59	00111980033	CINGHIA ALTERNATORE DAIHATSU		

#	P/N	DESCRIPTION	PG-SR
60	00111810008	FASCETTA 12-20 TIPO NORMA	
61	00111000166	DADO AUTOB.UNI 7473 M6 6S	
62	00111810034	FASCETTA INOX 32-50	
63	00111810033	FASCETTA INOX 25-40	
64	00111000184	VITE TE M5X10 ZNT	
65	95315000004	SUPPORTO TUBO ACQUA ZNT	
66	00111970185	PASSACAVO Øe20/22 - Øi15	
67	95304000005	SUPPORTO FILTRO GASOLIO ZNT	
68	95210000011	CAPPUCCIO RITORNO COMBUSTIBILE	
69	00111610004	POMELLO NERO MANETTINO ACCELERATORE	
70	00111970194	VENTOLA SOFFIANTE Ø310 DAIHATSU	

DAIHATSU 950 D
PG-SR


#	P/N	DESCRIPTION	PG-SR	REF. 38 - 00555501038
1	95304000003	PULEGGIA MOTORE DAIHATSU		
2	00111450003	VITE F/R M8X20 8.8 LISCIA ZNT BIAN.		
3	95304110000	SUPPORTO SX COMPLETO MOTORE DAIHATSU ZNT		
4	00111000071	DADO AUTOB.UNI 7473 M8 6S		
5	00111000132	ROSETTA P. D.8,4X32X2,5 ZNT		
6	95124210000	PIASTRA SUPPORTO SILENT-B.COMP. ZNT		
7	00111970104	ANTIVIBRANTE MOTORE -RAEM 60-		
8	00111300041	VITE TE UNI 5739 M12X35 8.8 ZNT		
9	00777800052	TRECCIA DI MASSA mm210		
10	95304100000	SUPPORTO DX COMPLETO MOTORE DAIHATSU ZNT		
11	00111000061	ROSETTA Ø 8,4X24 SP.2 ZNT		
12	00111990114	GUARN. COLLETTORE MARMITTA DAIHATSU		
13	95304000007	MANICOTTO OUT RADIATORE Ø25 L=550mm		
14	95304000006	MANICOTTO IN RADIATORE Ø25 L=310mm		
15	95315000001	COLLETTORE MARMITTA COMPLETO		
16	95049171000	LEVA ACCELERATORE COMPL.PIEGATA		
17	00111990034	POMELLO TONDO M8 -1AC02005-		
18	95124160000	PIASTRINA FISS. MARMITTA COMP. ZNT		
19	95124000008	STAFFA SUPPORTO MARMITTA ZNT		
20	00111810025	FASCETTA MARMITTA Ø42 COMPL.		
21	95304000012	PROTEZIONE TAPPO RADIATORE ZNT		
22	95124000017	TUBO SERBATOIO RECUPERO ACQUA		
23	95303000056	CONVOGLIATORE SCAMBIATORE		
24	95315130000	RETE RADIATORE COMPLETA		
25	95315000003	RADIATORE DAIHATSU		
26	95315000004	SUPPORTO TUBO ACQUA ZNT		
27	00111970119	TAMPONE ANTVIBR.M8 H=20 207/170		
28	95304000010	TUBO RITORNO GASOLIO		
29	00777650061	FILTRO GASOLIO DAIHATSU		
30	95599000043	MARMITTA DAIHATSU		
31	00111970185	PASSACAVO Øe20/22 - Øi15		
32	00111300011	VITE TE UNI 5739 M6 X20 8.8 ZNT		
33	00777700026	MOTORE DAIHATSU 950D		
34	00111810015	FASCETTA FILO D.1,5 D.I.12,6-82031-		
35	95303000023	SUPPORTO RADIATORE SX ZINCATO		
36	95303000022	SUPPORTO RADIATORE DX ZINCATO		
37	95315000002	MANICOTTO ASPIRAZIONE MOTORE		
38	00111550003	ROSETTA ELASTICA M12 UNI 1751		
39	00111810010	FASCETTA 10-16 TIPO NORMA		
40	95304000004	TERMINALE MARMITTA DAIHATSU		
41	00111250018	"DADO""CONEKLOK"" M8 ZTR DIN 980 ZNT"		
42	00111400022	V.BRUG. M8X35 TUTTO FILETTO 8.8 ZNT		
43	00111810033	FASCETTA INOX 25-40		
44	95304000011	TUBO GASOLIO FILTRO-MOTORE		
45	00777800123	SENSORE TEMPERATURA ACQUA		
46	00777650062	FILTRO OLIO MOTORE DAIHATSU		
47	00111450001	VITE F/R M8X25 LISCIA ZNT BIANCA		
48	95598530000	KIT COPPIA CINGHIE QUAD PAWER III XPA932		
49	00111000037	ROSETTA P.6,6X18X2 ZNT UNI 6593		
50	95304000009	TUBO GASOLIO SERBATOIO-FILTRO		
51	PZ95514111301	SUPPORTO PIEGATO PROTEZ. CORONA ZNT		
52	00111000014	VITE TSPEI M6X16 ZNT		
53	00111970050	TASSELLO ANTIVIB. MOTORE 4896106		
54	95124220001	DISTANZIALE Ø25X8 L=27		
55	00111000031	VITE TE UNI 5739 M8 X65 8.8 ZNT		
56	00111000179	ROSETTA GROWER M.8 ZNT		
57	95599000042	TAPPO RADIATORE		
58	00111000059	VITE F/R M8X14 LISCIA ZNT BIANCA		
59	00111980033	CINGHIA ALTERNATORE DAIHATSU		

#

P/N

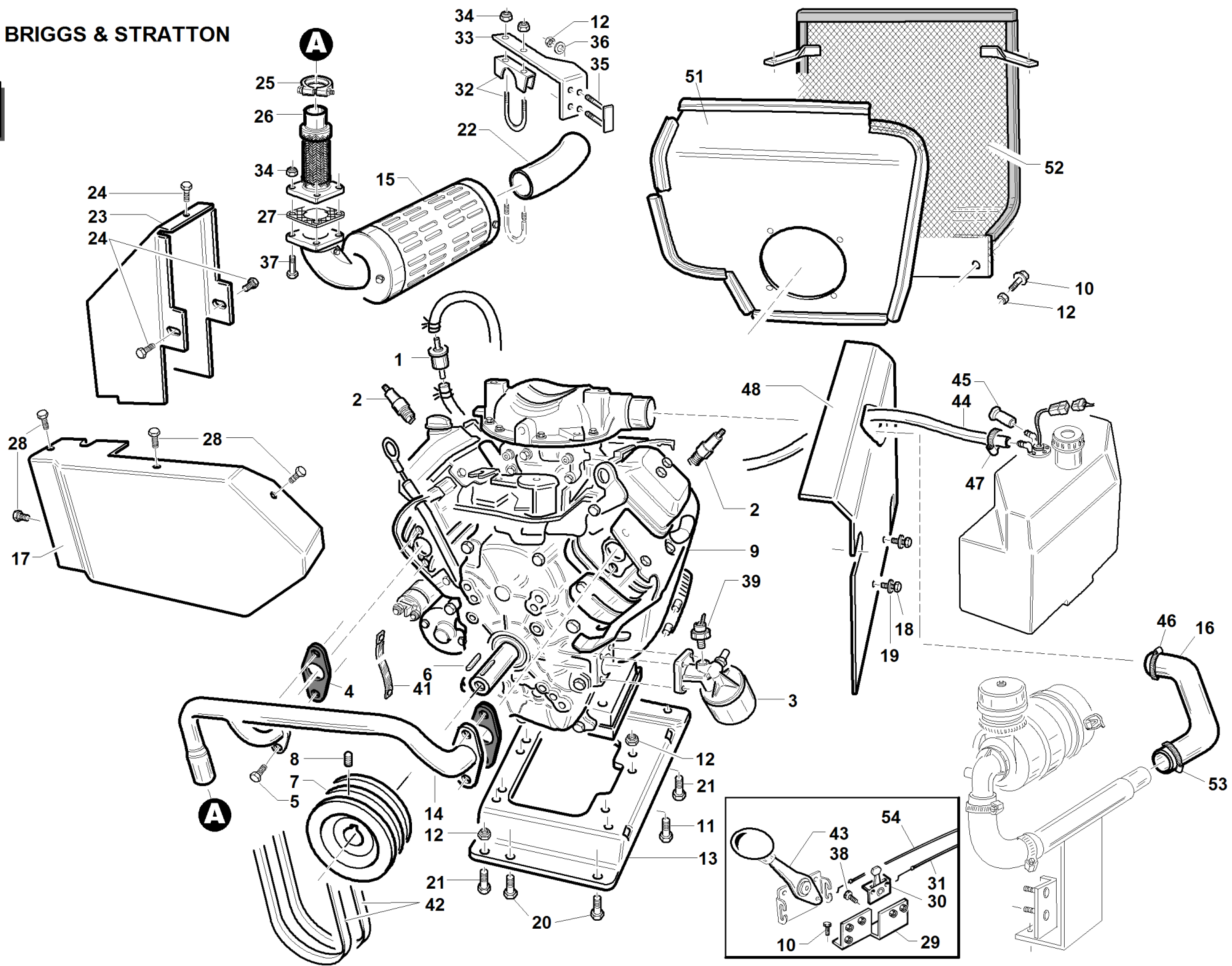
DESCRIPTION

PG-SR

REF. 38 - 00555501038

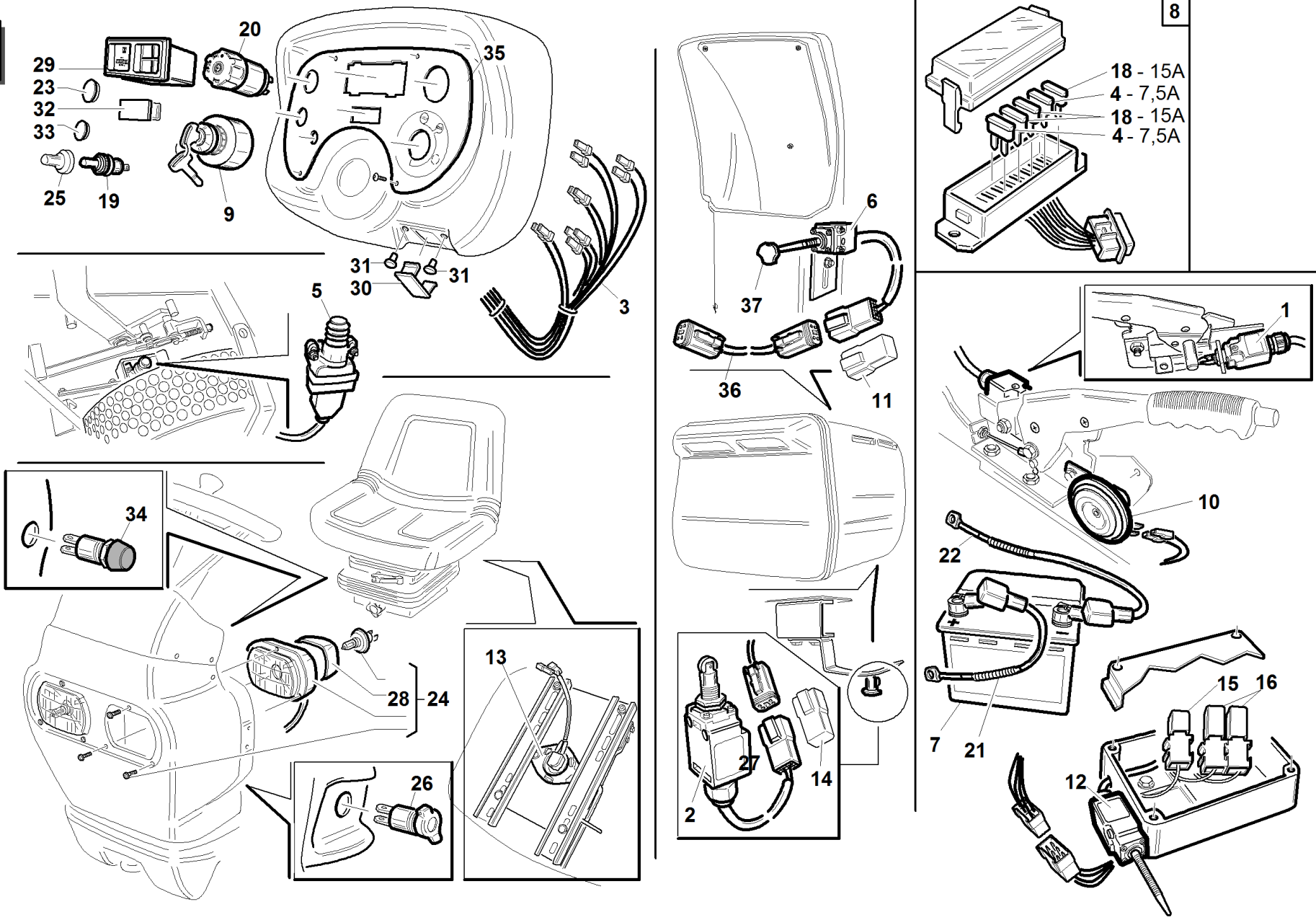
60	95304000002	CAVO ACCELERATORE MOTORE DAIHATSU	
61	00111000166	DADO AUTOB.UNI 7473 M6 6S	
62	PZ95060000003	SUPPORTO ACCELERATORE DIESEL ZNT	
63	00111810008	FASCETTA 12-20 TIPO NORMA	
64	00111810012	FASCETTA 40-60 TIPO NORMA	
65	00111500009	ROSETTA P.6,4X12,5X1,6 UNI 6592 ZNT	
66	00111970194	VENTOLA SOFFIANTE Ø310 DAIHATSU	

PG-SR



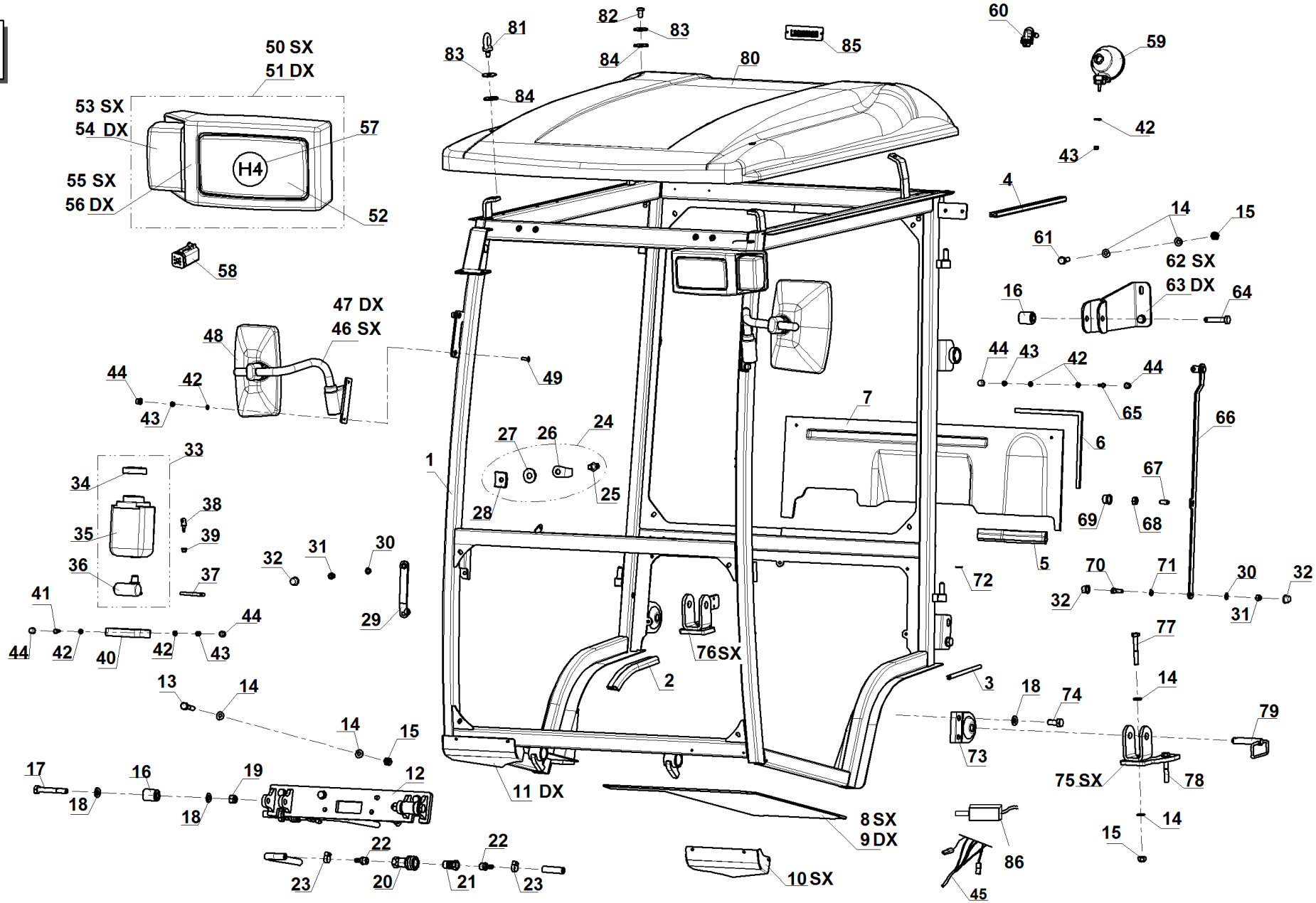
#	P/N	DESCRIPTION	PG-SR
1	00777650013	FILTRO BENZINA-16-18 HP	
2	00777750001	CANDELA 491055	
3	00777650001	FILTRO OLIO 9/18 HP	
4	00111990009	GUARNIZIONE SCARICO B&S 16HP	
5	00111000093	VITE TE UNI 5739 M8 X20 8.8 ZNT	
6	00111990008	CHIAVETTA 1/4X1/4X38	
7	95332000001	PULEGGIA MOTORE	
8	00111960002	GRANO M8X16 UNI 5927	
9	00777700031	MOTORE B&S ORIZZONTALE 23HP	
10	00111450003	VITE F/R M8X20 8.8 LISCIA ZNT BIAN.	
11	00111300020	VITE TE UNI 5737 M8 X70 8.8 ZNT	
12	00111000071	DADO AUTOB.UNI 7473 M8 6S	
13	95332000003	SUPPORTO MOTORE PG VERNICIATO	
14	95332000005	COLLETTORE SCARICO B&S COMP. CATAFORESI	
15	00111990077	KIT MARMITTA 84 X KUBOTA 722 COMPL.	
16	95103000007	TUBO FILTRO KOHLER	
17	95180110000	CONVOGLIATORE SCARICO ARIA COMPLETO	
18	00111300015	VITE TE UNI 5739 M8 X 50 8.8 ZNT	
19	00111000087	ROSETTA P.8,4X15.6X1,5 ZT	
20	00111300052	VITE TE UNI 5739 M8 X30 12.9 ZNT	
21	00111300064	VITE TE UNI 5739 M8X25 10.9 ZNT	
21	00777800175	TELERUTTORE 12V 80A	
22	95104000010	TERMINALE MARMITTA	
23	95210110000	BOCCHETTA SCARICO ARIA COMP.VERN.	
24	00111450005	VITE F/R M6X16 LISCIA DACROMET	
25	00111810028	FASCETTA COLLETTORE MARMITTA Ø33	
26	95104170000	COLLETTORE FLESSIBILE COMPLETO	
27	00111990086	GUARN. COLLETTORE MARMITTA KUBOTA	
28	00111450010	VITE F/R M6X10 8.8 LISCIA ZNT BIAN.	
29	PZ95070110000	SUP. STARTER ACCELERATORE COMP. ZNT	
30	00111000192	MANETTINO STARTER ACC.C/POM.STACCAT	
31	95179000001	CAVO ACCELERATORE COMPLETO KOHLER	
32	00111810025	FASCETTA MARMITTA Ø42 COMPL.	
33	95124000008	STAFFA SUPPORTO MARMITTA ZNT	
34	00111250018	"DADO""CONEKLOK"" M8 ZTR DIN 980 ZNT"	
35	95124160000	PIASTRINA FISS. MARMITTA COMP. ZNT	
36	00111000037	ROSETTA P.6,6X18X2 ZNT UNI 6593	
37	00111000094	VITE TE UNI 5739 M8 X40 8.8 ZNT	
38	00111000184	VITE TE M5X10 ZNT	
39	00777700021	PRESSOSTATO 18HP COD. DAT85174	
41	00777800165	CAVO MASSA TGTECH	
42	95598530000	KIT COPPIA CINGHIE QUAD PAWER III XPA932	
43	95599410000	KIT MANETTINO COMPLETO DI CAVO ACC.	
44	94500780001	TUBO BENZINA L=600	
45	95210000011	CAPPUCCIO RITORNO COMBUSTIBILE	
46	00111810012	FASCETTA 40-60 TIPO NORMA	
47	00111810010	FASCETTA 10-16 TIPO NORMA	
48	95103170000	PARATIA SERBATOIO KOHLER COMPLETO	
51	95332000004	PARATIA VANO MOTORE VERNICIATA	
52	95332000006	RETE POSTERIORE VANO MOTORE	
53	00111400039	VITE TCEI M8X40 8.8 UNI 5931 ZNT	
53	00111810034	FASCETTA INOX 32-50	
54	95180000001	CAVO STARTER COMPLETO B&S	

PG 220



#	P/N	DESCRIPTION	PG 220	REF. 40 - 0055992209
1	95042510000	MICRO FRENO CABLATO COMPL.		
2	95210160000	MICRO CESTO ALZATO		
3	95210131000	CABLAGGIO CENTRALE PG BENZINA		
4	00777800078	FUSIBILE A LAMA 7,5 AMP 0014.0014		
5	00777800023	PULSANTE COBO 15117000 -I05010-		
6	95042520000	MICRO CESTO PIENO CABLATO COMPL.		
7	95599000036	"BATTERIA 12V 43Ah ""A SECCO"""		
8	95210140000	CABLAGGIO FUSIBILI/INT AVVIAMENTO		
9	00777800222	INTERRUTTORE AVVIAMENTO COBO		
10	00777800022	CLAXON 12 V -A27094-		
11	00777800167	CONNETTORE/TAPPO MICRO CESTO PIENO		
12	95210150000	MICRO VANO MOTORE CABLATO		
13	00777800174	MICRO SEDILE PG(MICRO SWITCH DELTA)		
14	00777800168	CONNETTORE/TAPPO MICRO CESTO CHIUSO		
15	00777800035	RELE 12V 20/30A BOSCH-0332209150-		
16	00777800059	MICRO-RELAYS 12V IN SCAMBIO		
18	00777800080	FUSIBILE A LAMA 15 AMP		
19	00777800108	INTERRUTTORE 0058.0074.01		
20	00777800143	COMMUTATORE LUCI + PULSANTE CLAXON		
21	00777800169	CAVO BATTERIA POSITIVO PG BENZINA		
22	00777800170	CAVO MASSA PG BENZINA		
23	00111970157	TAPPO NERO D30,1		
24	00777802400	PROIETTORE ASIMMETRICO		
25	00777800109	CAPPUCCIO		
26	00777800107	PRESA BIPOLARE 25.019.100.01		
27	00777800152	LAMPADA 12V 45/40W		
28	00777800156	CUFFIA DI PROTEZIONE IN GOMMA		
29	00777800157	STRUMENTO COMBINATO CONTAORE + SPIE		
30	00111970159	TAPPO PER INTERRUTTORE BASCULANTE		
31	00111970095	BOTTONE		
32	00111970162	TAPPO PER SPIA DOPPIA		
33	00111970158	TAPPO NERO D 22.2		
34	00777800106	PULSANTE FASTON 17.153.000.01		
35	95210000001	LAMIERA CRUSCOTTO PG180/200 BENZINA		
36	00777800124	CAVO CABLATO X CESTO ELEVATORE		
37	00111970042	POMELLO FEMMINA THB20M4		

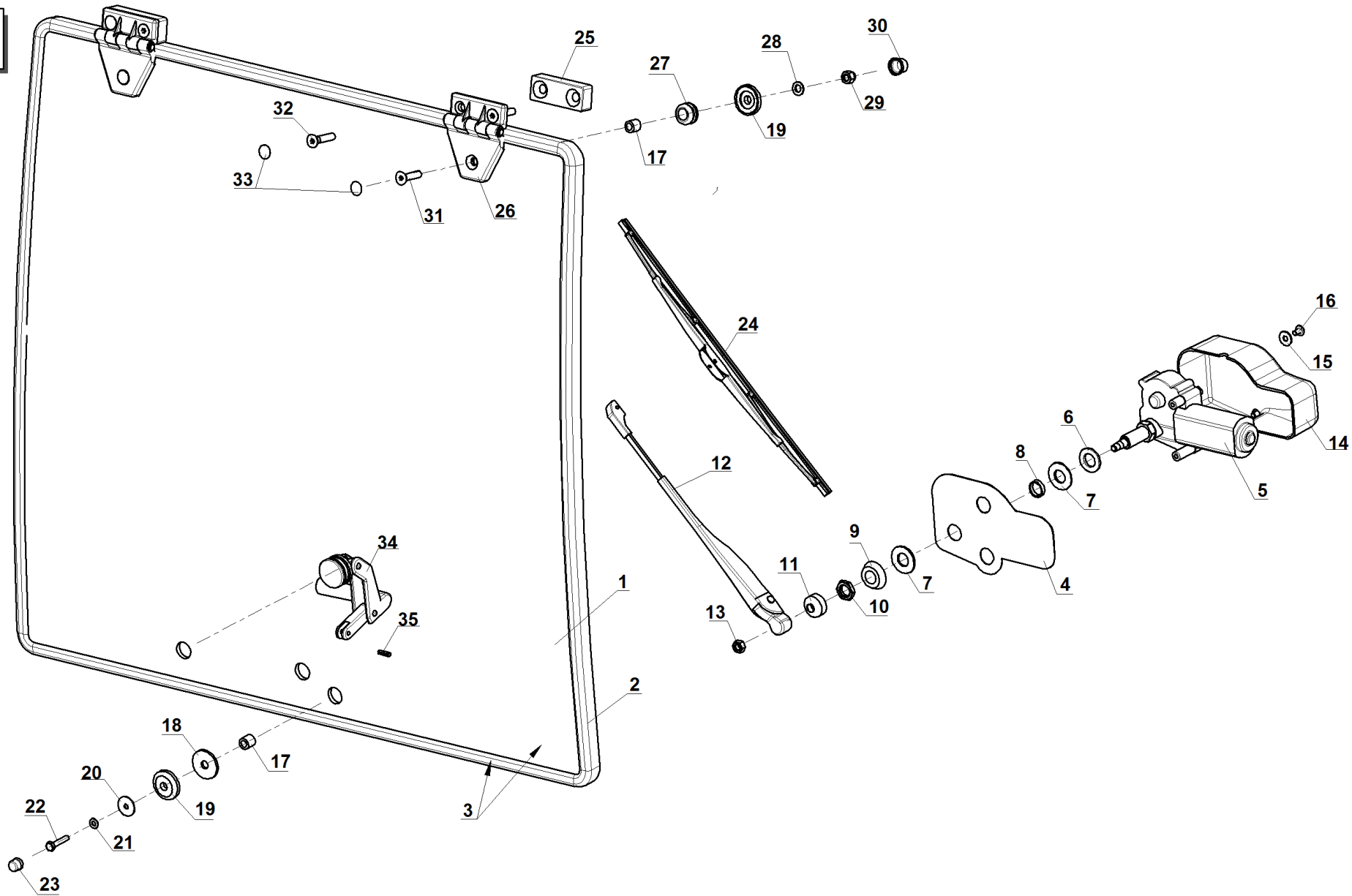
PG/SR-W



#	P/N	DESCRIPTION	PG/SR-W
1	95187100008	TELAIO CABINA PG/SR	
2	95187100009	GUARNIZIONE NR.7004	
3	95187100010	GUARNIZIONE DI FINITURA	
4	95187100011	GUARNIZIONE TGSL 200170	
5	95187100012	GUARNIZIONE TGSL 200330	
6	95187100106	GOMMASCHIUMA RETT. L = 1700 MM	
7	95187100014	PARATIA POSTERIORE GF1	
8	95187100015	TAPPETO SX	
9	95187100016	TAPPETO DX	
10	95187100017	CARTER SX	
11	95187100018	CARTER DX	
12	95187100019	SUPPORTO ANTERIORE	
13	00111300043	VITE TE UNI 5737 M10X45 8.8 ZNT	
14	00111500032	ROSETTA P. 10,5X25X2 DIN7349 ZNT	
15	00111250023	DADO AUTOB.UNI 7473 M10x1.25 6S	
16	95187100021	ANTIVIBRANTE	
17	00111300094	VITE TE UNI 5737 M12X85 8.8 UNI ZNT	
18	00111000105	ROSETTA P.13X24X2,5 ZNT UNI 6952	
19	00111250008	DADO AUTOB.UNI 7473 M12 6S	
20	95187100023	ATTACCO RAPIDO RISC. FEMMINA	
21	95187100024	ATTACCO RAPIDO RISC. MASCHIO	
22	95187100025	RACCORDO TUBO RISCALDAMENTO	
23	00111810008	FASCETTA 12-20 TIPO NORMA	
24	95187100026	KIT PORTAPERNO SERRATURA	
25	95187100027	PERNO INTERNO PORTA	
26	95187100028	GANCIO SICUREZZA SERRATURA	
27	00111500031	ROSETTA P. 14X36X3 UNI6593 ZNT	
28	95187100030	PIASTRINA FILETT.PER PERNO SERRATURA	
29	95187100031	DISTANZIALE PER PORTA	
30	00111550009	ROSETTA ELASTICA M8 UNI 1751	
31	00111250014	DADO AUTOB.UNI 7473 M8 10S	
32	95187100033	COPRIDADO IN PLASTICA M8	
33	95187100034	SERBATOIO CON ELETTROPOMPA 12V	
34	95187100035	TAPPO PER SERBATOIO BIANCO	
35	95187100036	SERBATOIO S. TAPPO S. POMPA	
36	95187100037	ELETTROPOMPA 12V PER LAVACRISTALLI	
37	95187100038	TUBO ACQUA PER LAVACRISTALLI	
38	95187100039	SPRUZZATORE REGOLABILE	
39	95187100040	GOMMINO PER SPRUZZATORE	
40	95187100041	STAFFA FISS. SERBATOIO 1 LT	
41	00111300096	VITE TE UNI 5737 M6X15 8.8 UNI ZNT	
42	00111500009	ROSETTA P.6,4X12,5X1,6 UNI 6592 ZNT	
43	00111000166	DADO AUTOB.UNI 7473 M6 6S	
44	95187100042	COPRIDADO IN PLASTICA M6	
45	95187100020	IMPIANTO EL. CABINA GF1	
46	95187100004	ASTA SPECCHIETTO RETROVISORE SX CABINA	
47	95187100003	ASTA SPECCHIETTO RETROVISORE DX CABINA	
48	95187100005	COPPA SPECCHIETTO RETROVISORE CABINA	
49	00111350006	VITE TSPEI M6X20 8.8 UNI 5933	
50	00777803200	FANALE ANTERIORE SX CABINA COMPLETO	
51	00777803000	FANALE ANTERIORE DX CABINA COMPLETO	
52	00777802900	PROIETTORE ASSIM. CABINA COMP. CUFFIA	
53	00777800207	COPERCHIO INDICATORE DI DIREZIONE SX	
54	00777800208	COPERCHIO INDICATORE DI DIREZIONE DX	
55	00777800224	CORNICE SX ANTERIORE FANALE CABINA	
56	00777800215	CORNICE DX ANTERIORE FANALE CABINA	
57	00777800206	LAMPADA 12V 60/55W	
58	95187100043	CONNETTORE PER FARO ANTERIORE	
59	95187100044	FARO DA LAVORO ORIENTABILE	

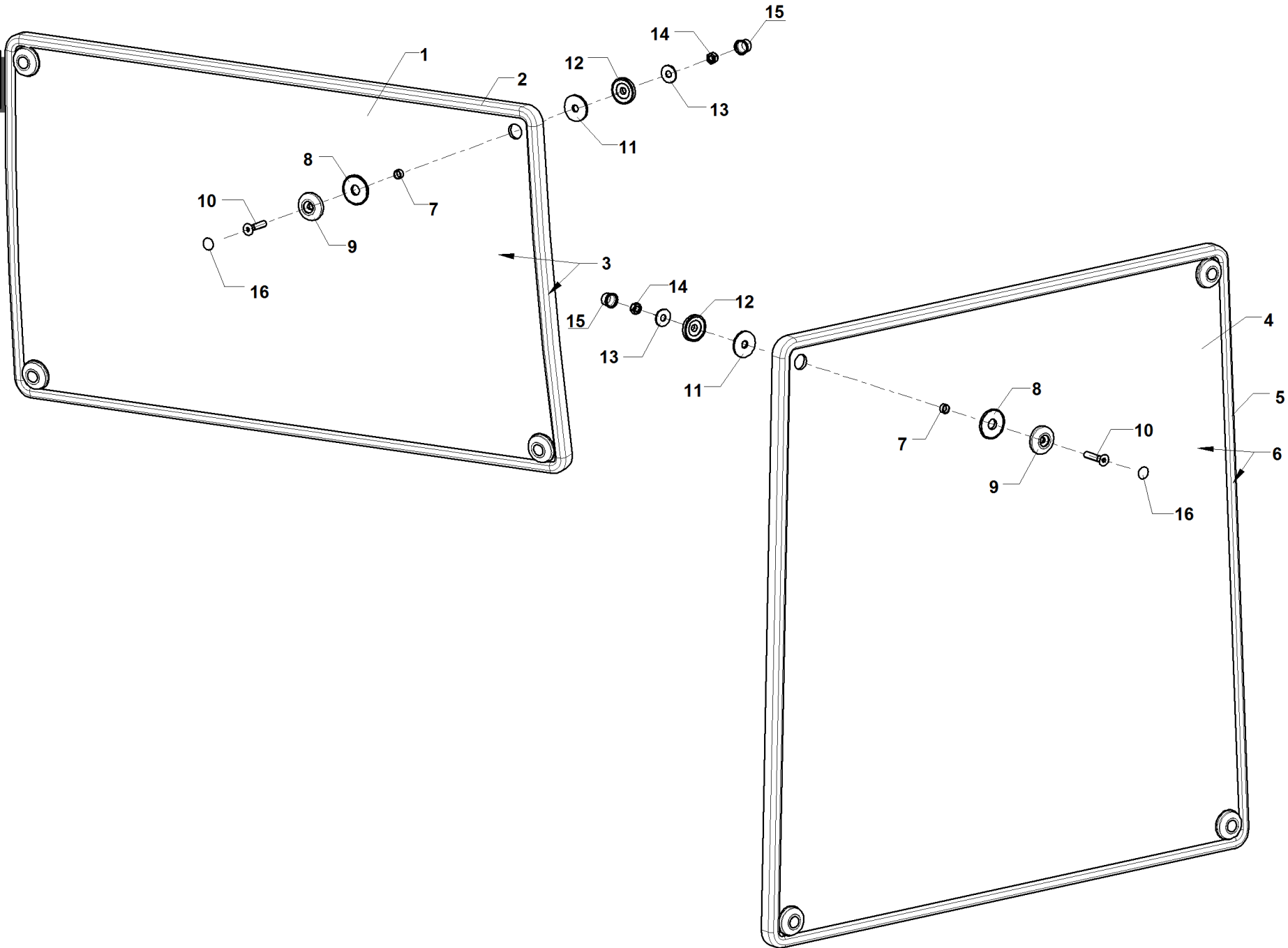
#	P/N	DESCRIPTION	PG/SR-W
60	00777800209	LAMPADA DA LAVORO CABINA	
61	00111300044	VITE TE UNI 5739 M10X30 12.9 ZNT	
62	95187100045	SUPPORTO POST. SOPRA SX	
63	95187100046	SUPPORTO POST. SOPRA DX	
64	95187100148	PERNO SICUREZZA PER SUPPORTO	
65	00111000171	VITE TE M6X20 8G	
66	95187100047	SOSTEGNO CABINA GF1	
67	95187100048	PRESSORE FIL.	
68	00111000080	DADO AUTOB.UNI 7474 M10 6S	
69	95187100049	COPRIDADO IN PLASTICA M10	
70	00111300064	VITE TE UNI 5739 M8X25 10.9 ZNT	
71	00111500006	ROSETTA NYLON 8,5X17X1,5	
72	95187100050	RONDELLA IN ALLUMINIO DA GUARNIZIONE	
73	95187100051	SILENTBLOC CPL.	
74	00111300009	VITE TE UNI 5739 M12X30 8.8 ZNT	
75	95187100052	SUPPORTO POSTERIORE SX	
76	95187100053	SUPPORTO POSTERIORE DX	
77	00111300085	VITE TE UNI 5739 M16X60 6S ZNT	
78	00111300068	VITE TE UNI 5737 M10X70 8.8 ZNT	
79	95187100055	SPINOTTO PER SILENTBLOCK STANDARD	
80	95187100054	TETTO NR.21	
81	95187100032	GOLFARE MASCHIO M10	
82	00111350020	VITE TBEI M10X20 10.9 UNI 7380 ZNT	
83	95187100063	RONDELLA IN GOMMA 36X10X3	
84	00111500003	ROSETTA P.12X36X3 ZNT	
85	95187100022	TARGHETTA IN ALLUMINIO NR. CABINA	
86	95187000002	MICRO CABINA CHIUSA CABLATO	

PG/SR-W

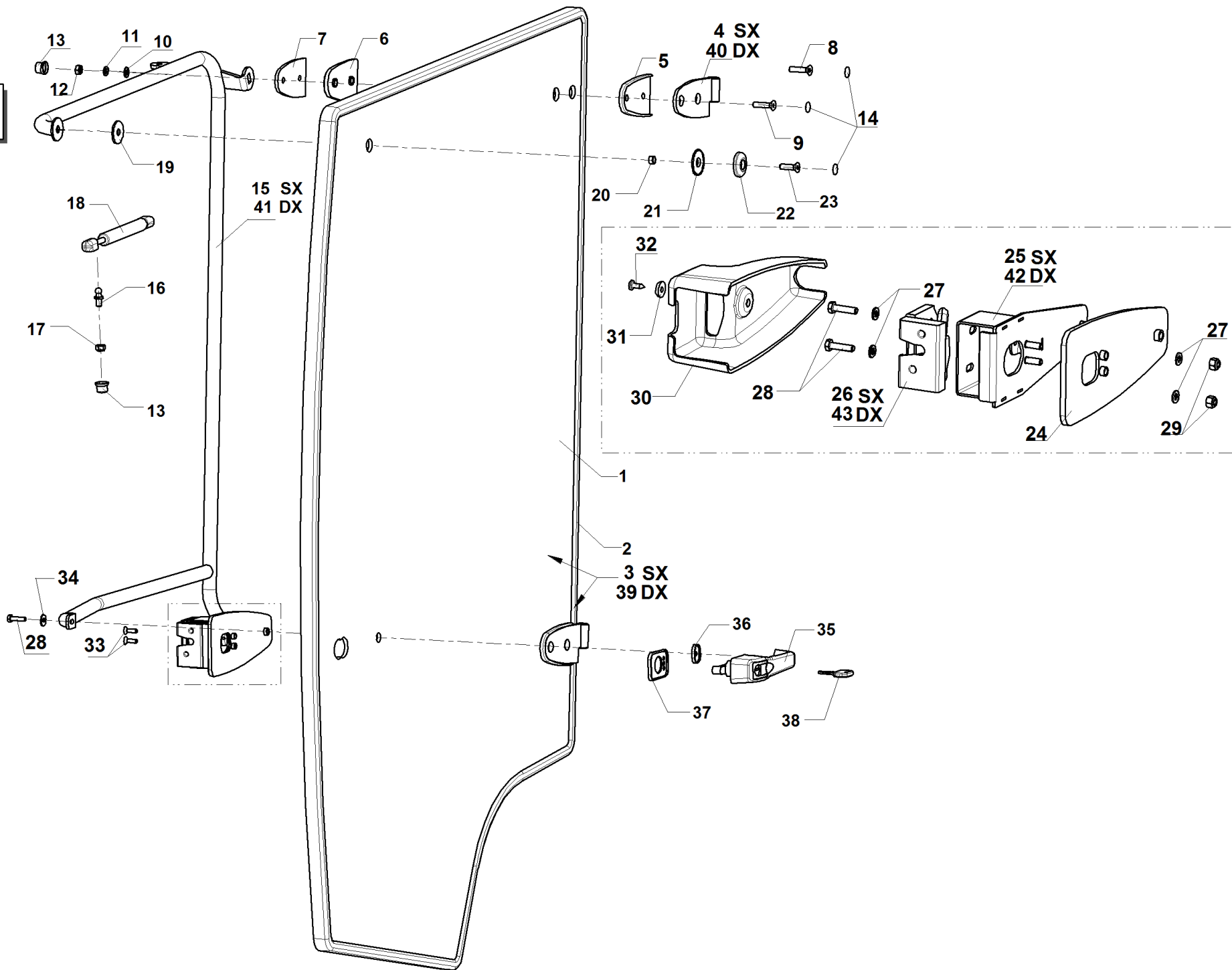


#	P/N	DESCRIPTION	PG/SR-W
1	95187100079	VETRO ANTERIORE SLH22	
2	95187100142	GUARNIZIONE VETRO COM PORTACAVO L=3,30M	
3	95187100146	VETRO ANTERIORE CON GUARNIZIONE	
4	95187100144	AUTOADESIVO PER MOTORINO TERGI	
5	95187100145	MOTORINO TERGI ITALTRGI 105°	
6	00111500002	ROSETTA P.16,5X48X3 ZNT	
7	95187100056	RONDELLA IN GOMMA Ø16,4X34X2	
8	95187100057	DISTANZIALE MOTORINO TERGICRISTALLO	
9	95187100058	RONDELLA CONICA PER MOTORINO TERGI	
10	00111500021	RONDELLA DI SPESS. PS-20X28X1.5	
11	95187100059	COPRIPERNO PER MOTORINO TERGI	
12	95187100060	BRACCIO TERGI CONICO C10XM8	
13	00111000082	DADO UNI 5588 M8 6S ZNT	
14	95187100061	COPERTURA MOTORINO TERGI	
15	95187100147	RONDELLA FISS. COPERCHIO MOTORINO TERGI	
16	00111450010	VITE F/R M6X10 8.8 LISCIA ZNT BIAN.	
17	95187100062	ANELLO NYLON PER CERNIERA	
18	95187100063	RONDELLA IN GOMMA 36X10X3	
19	95187100064	RONDELLA IN PLASTICA PER VETRI 36X10X8	
20	00111500033	ROSETTA P. 6,6X24X2 ZNT	
21	00111500009	ROSETTA P.6,4X12,5X1,6 UNI 6592 ZNT	
22	00111300039	VITE TE UNI 5737 M6X30 8.8 ZNT	
23	95187100042	COPRIDADO IN PLASTICA M6	
24	95187100065	SPAZZOLA PER TERGICRISTALLO 410MM	
25	95187100066	SPESSORE IN PLASTICA PER CERNIERE	
26	95187100067	CERNIERA IN PLASTICA PER VETRI	
27	95187100068	ANELLO IN GOMMA PER VETRI	
28	00111000087	ROSETTA P.8,4X15.6X1,5 ZT	
29	00111550009	ROSETTA ELASTICA M8 UNI 1751	
30	95187100033	COPRIDADO IN PLASTICA M8	
31	00111350038	VITE TSPEI M8X35 10.9 UNI 5933 ZNT	
32	00111000111	VITE TSPEI M8X40 8.8 UNI 5933 ZNT	
33	95187100069	COPRIVITE IN PLASTICA NERO	
34	95187100070	MANIGLIA VETRO	
35	00111000146	SPINA ELASTICA D.5X16	

PG/SR-W

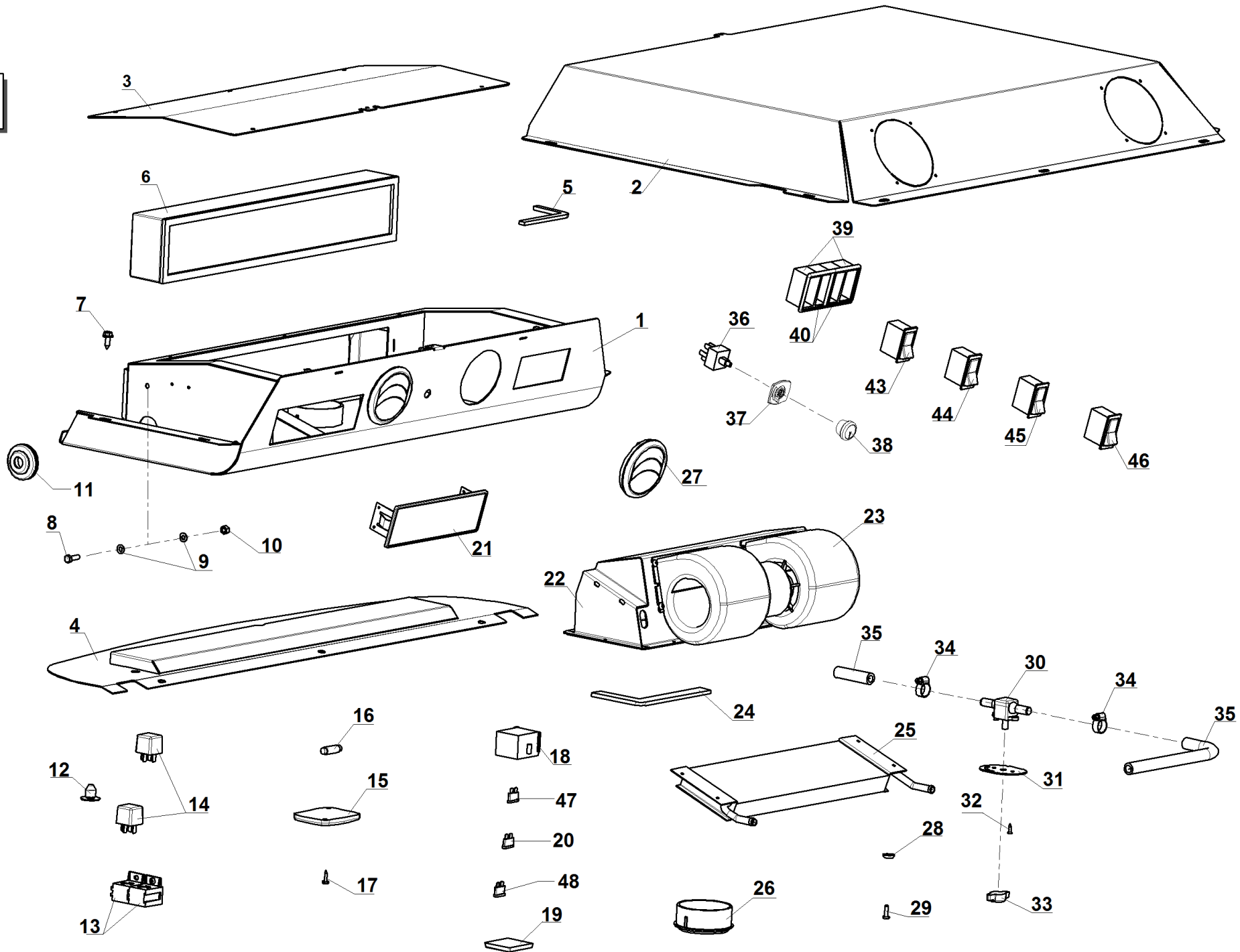


#	P/N	DESCRIPTION	PG/SR-W
1	95187100071	VETRO ANTERIORE BASSO GF1	
2	95187100072	GUARNIZIONE PER VETRI L=2,80M	
3	95187100073	VETRO ANT. BASSO CON GUARNIZIONE	
4	95187100074	VETRO POSTERIORE GF1	
5	95187100075	GUARNIZIONE PER VETRI L=3,50M	
6	95187100076	VETRO POSTERIORE CON GUARNIZIONE	
7	95187100077	ANELLO GUARNIZIONE NYLON	
8	95187100078	RONDELLA IN GOMMA (AC9)	
9	95187100143	BORCHIA SEDE SVASATA	
10	00111000111	VITE TSPEI M8X40 8.8 UNI 5933 ZNT	
11	95187100063	RONDELLA IN GOMMA 36X10X3	
12	95187100064	RONDELLA IN PLASTICA PER VETRI 36X10X8	
13	00111000132	ROSETTA P. D.8,4X32X2,5 ZNT	
14	00111550009	ROSETTA ELASTICA M8 UNI 1751	
15	95187100033	COPRIDADO IN PLASTICA M8	
16	95187100069	COPRIVITE IN PLASTICA NERO	

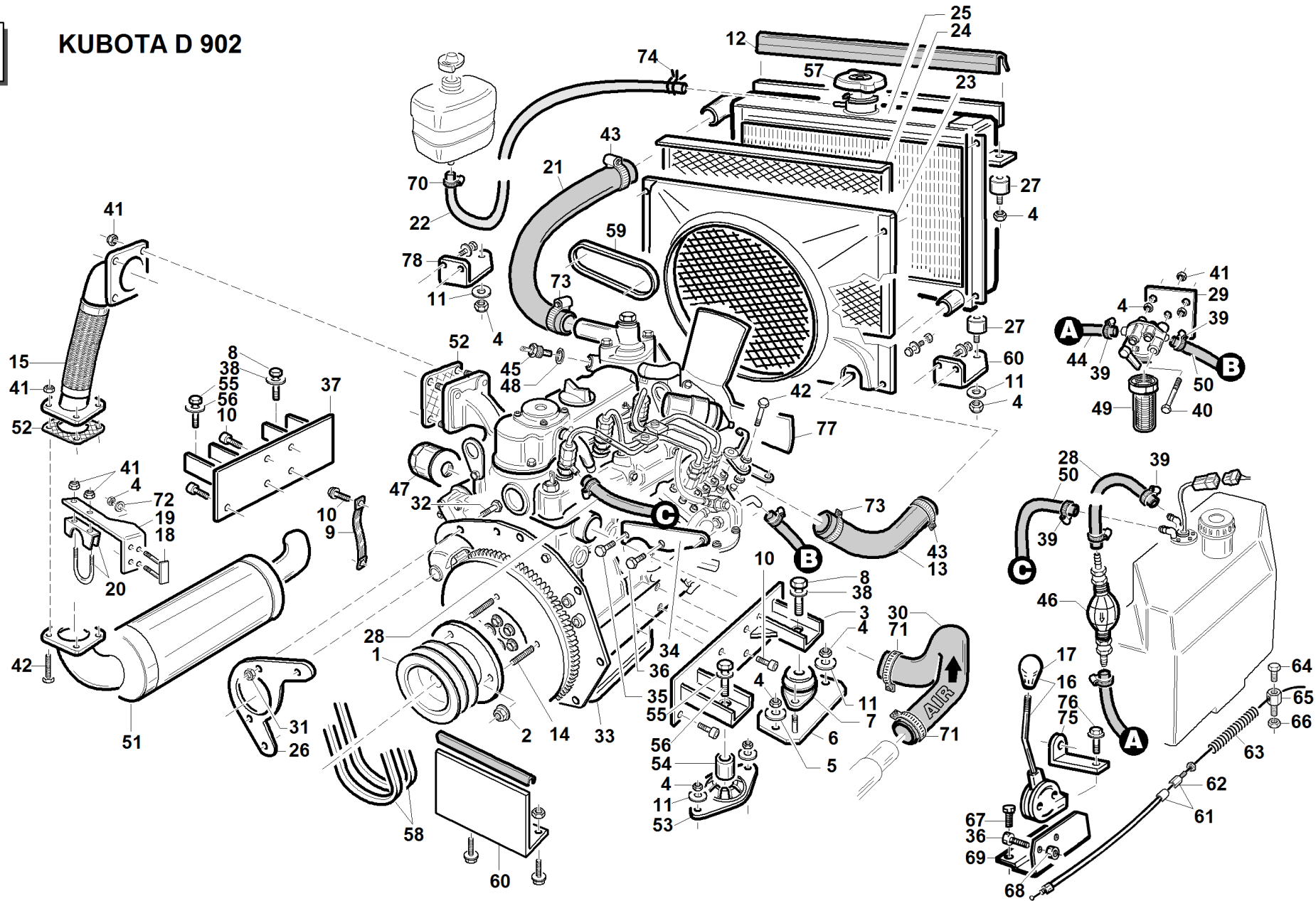


#	P/N	DESCRIPTION	PG/SR-W
1	95187100149	VETRO PORTA GF1	
2	95187100080	GUARNIZIONE PER VETRI L=4,50M	
3	95187100006	VETRO PORTA SX COMPLETO DI GUARNIZIONE	
4	95187100082	CERNIERA PORTA CPL. SX T4	
5	95187100084	SOTTOBASE CERNIERA ESTERNA	
6	95187100085	SOTTOBASE CERNIERA INTERNA	
7	95187100086	CERNIERA INTERNA PORTA T4	
8	00111350038	VITE TSPEI M8X35 10.9 UNI 5933 ZNT	
9	00111000111	VITE TSPEI M8X40 8.8 UNI 5933 ZNT	
10	00111000087	ROSETTA P.8,4X15.6X1,5 ZT	
11	00111000179	ROSETTA GROWER M.8 ZNT	
12	00111000082	DADO UNI 5588 M8 6S ZNT	
13	95187100033	COPRIDADO IN PLASTICA M8	
14	95187100069	COPRIVITE IN PLASTICA NERO	
15	95187100087	MANIGLIONE PORTA SX COMP. GF1	
16	95187100089	SNODO PER MOLLA A GAS	
17	00111000095	DADO AUTOB.UNI 7474 M8 6S	
18	95187100007	MOLLA A GAS 250N TESTA PLAST.	
19	95187100063	RONDELLA IN GOMMA 36X10X3	
20	95187100077	ANELLO GUARNIZIONE NYLON	
21	95187100078	RONDELLA IN GOMMA (AC9)	
22	95187100064	RONDELLA IN PLASTICA PER VETRI 36X10X8	
23	00111350022	VITE TSPEI M8X30 8.8 UNI 5933 ZNT	
24	95187100090	SOTTOBASE IN GOMMA SERRATURA T5	
25	95187100091	SUPPORTO SERRATURA INTERNA SX T5	
26	95187100093	BLOCCHETTO INTERNO SERRATURA SX	
27	00111500009	ROSETTA P.6,4X12,5X1,6 UNI 6592 ZNT	
28	00111000137	VITE TE M6X25 8.8 UNI 5739 ZNT	
29	00111000166	DADO AUTOB.UNI 7473 M6 6S	
30	95187100095	COPRI-SERRATURA INTERNA T5	
31	95187100096	ROSETTA SOTTOVITE IN PCV	
32	95187100097	VITE AUTOFIL. TCTC NERA 4,8X13	
33	00111350006	VITE TSPEI M6X20 8.8 UNI 5933	
34	00111000037	ROSETTA P.6,6X18X2 ZNT UNI 6593	
35	95187100098	MANIGLIA PORTA ESTERNA	
36	95187100099	GUARN. PICCOLA PER MANIGLIA ESTERNA	
37	95187100100	GUARN. GRANDE PER MANIGLIA ESTERNA	
38	95187100101	CHIAVE PER SERRATURA	
39	95187100081	VETRO PORTA CON GUARNIZIONE DX	
40	95187100083	CERNIERA PORTA CPL. DX T4	
41	95187100088	MANIGLIONE PORTA DX COMP. GF1	
42	95187100092	SUPPORTO SERRATURA INTERNA DX T5	
43	95187100094	BLOCCHETTO INTERNO SERRATURA DX	

PG/SR-W



#	P/N	DESCRIPTION	PG/SR-W
1	95187100102	SOTTOTETTO VENTILAZIONE GF1	
2	95187100103	LAMIERA SOTTOTETTO POSTERIORE	
3	95187100104	COPERCHIO VENTILAZIONE	
4	95187100105	MASCHERINA VENTILAZIONE ANTERIORE	
5	95187100106	GOMMASCHIUMA RETT. L = 1700 MM	
6	95187100107	FILTRO A POLVERE 500X90X56	
7	95187100108	VITE AUTOFIL.TE CON RONDELLA 6,5X20	
8	00111000171	VITE TE M6X20 8G	
9	00111500009	ROSETTA P.6,4X12,5X1,6 UNI 6592 ZNT	
10	00111000166	DADO AUTOB.UNI 7473 M6 6S	
11	95187100109	TAPPO CHIUSURA FORI	
12	95187100110	TAPPO PASSACAVO	
13	95187100111	ZOCCOLO RELE'	
14	95187100112	RELE' 12V 40A	
15	95187100113	PLAFONIERA PER VENTILAZIONE	
16	95187100114	LAMPADINA PER PLAFONIERA 12V-5W	
17	95187100115	VITE AUTOFIL. TCTC 3,5X16	
18	95187100116	PORTAFUSIBILE LAMELLARE 6 VIE	
19	95187100117	COPERCHIO PER PORTAFUSIBILE 6 VIE	
20	00777800079	FUSIBILE A LAMA 10 AMP 0014.0020	
21	95187100118	COPRIFORO RADIO	
22	95187100119	SCATOLA RISCALDAMENTO	
23	95187100120	ELETTOVENTILATORE	
24	95187100121	GOMMASCHIUMA RETT. ADESIVA 20X5	
25	95187100122	RADIATORE CABINA	
26	95187100123	BOCCHETTA RISCALDAMENTO AC8	
27	95187100124	BOCCHETTA AD ALETTE ORIENTABILI	
28	95187100125	ROSETTA SOTTOVITE IN PVC 6X18	
29	95187100126	VITE AUTOFIL. TCTC SENZA PUNTA 4,8X16	
30	95187100127	RUBINETTO IN PLASTICA PER RISCALDAMENTO	
31	95187100128	MASCHERINA OVALE RISCALDAMENTO	
32	95187100129	VITE AUTOFIL. TSTC NERA 9X15	
33	95187100130	POMOLO PER RUBINETTO	
34	00111810008	FASCETTA 12-20 TIPO NORMA	
35	95187100131	TUBO RISCALDAMENTO ACQUA	
36	95187100132	INTERRUTTORE VENTILAZIONE	
37	95187100133	TARGHETTA PER INTERRUTTORE	
38	95187100134	POMOLO PER INTERRUTTORE	
39	95187100135	SUPPORTO INTERRUTTORE ESTERNO	
40	95187100136	SUPPORTO INTERRUTTORE INTERNO	
43	95187100139	INTERRUTTORE CON PULSANTE TERGICRISTALLO CON VETRINO	
44	95187100140	INTERRUTTORE FARI ANTERIORI CON VETRINO	
45	95187100141	INTERRUTTORE LAMPEGGIANTE CON VETRINO	
46	95187100029	INTERRUTTORE FARI POSTERIORE CON VETRINO	
47	00777800080	FUSIBILE A LAMA 15 AMP	
48	00777800126	FUSIBILE A LAMA 20 A 0014.0019	



#	P/N	DESCRIPTION	PG-SR	REF. 46 - 00555501052
1	95338000001	PULEGGIA MOTORE KUBOTA		
2	00111250025	DE AUT METB FL CL10 8MA ZNT		
3	95338100000	SUPPORTO MOTORE SX COMPLETO ZNT		
4	00111000071	DADO AUTOB.UNI 7473 M8 6S		
5	00111000132	ROSETTA P. D.8,4X32X2,5 ZNT		
6	95124210000	PIASTRA SUPPORTO SILENT-B.COMP. ZNT		
7	00111970104	ANTIVIBRANTE MOTORE -RAEM 60-		
8	00111300041	VITE TE UNI 5739 M12X35 8.8 ZNT		
9	00777800052	TRECCIA DI MASSA mm210		
10	00111400031	VITE TCEI M10X20 8.8 UNI 5932 ZNT		
11	00111000061	ROSETTA Ø 8,4X24 SP.2 ZNT		
12	95338000009	GUARNIZIONE 229/6 L=470		
13	95124000013	MANICOTTO USCITA RADIATORE		
14	00111320001	PRIGIONIERO UNI 5911 M8X16-10.9 ZNT		
15	95338000004	COLLETTORE MARMITTA COMPLETO		
16	95049171000	LEVA ACCELERATORE COMPL.PIEGATA		
17	00111990034	POMELLO TONDO M8 -1AC02005-		
18	95124160000	PIASTRINA FISS. MARMITTA COMP. ZNT		
19	95124000008	STAFFA SUPPORTO MARMITTA ZNT		
20	00111810025	FASCETTA MARMITTA Ø42 COMPL.		
21	95338000005	MANICOTTO INGRESSO RADIATORE		
22	95124000017	TUBO SERBATOIO RECUPERO ACQUA		
23	95338000002	CONVOGLIATORE		
24	95338200000	RETE RADIATORE COMPLETA		
25	95338000003	RADIATORE COMPLETO PG210		
26	95309000005	PIATTO DI RINFORZO KUBOTA ZNT		
27	00111970127	TAMPONE M/F M8 Ø30X20 207/100		
28	95338120003	TUBO ASPIR. GASOLIO SERBATOIO-POMPETTA		
29	95124000018	SUPPORTO FILTRO NAFTA ZNT.		
30	95309000006	MANICOTTO FILTRO ARIA KUBOTA		
31	00111250014	DADO AUTOB.UNI 7473 M8 10S		
32	00111300060	VITE TE UNI 5739 M8X35 10.9 ZNT		
33	00777700034	MOTORE KUBOTA D902 22 CV		
34	95124000009	STAFFA CAVO ACCELERATORE ZNT		
35	00111000034	VITE TE UNI 5739 M6 X10 8.8 ZNT		
36	00111000059	VITE F/R M8X14 LISCIA ZNT BIANCA		
37	95338110000	SUPPORTO MOTORE DX COMPLETO ZNT		
38	00111550003	ROSETTA ELASTICA M12 UNI 1751		
39	00111810010	FASCETTA 10-16 TIPO NORMA		
40	00111300025	VITE TE UNI 5737 M6X50 8.8 ZNT		
41	00111250018	"DADO""CONEKLOK"" M8 ZTR DIN 980 ZNT"		
42	00111000094	VITE TE UNI 5739 M8 X40 8.8 ZNT		
43	00111810009	FASCETTA 25-40 TIPO NORMA		
44	95338120002	TUBO ASPIRAZIONE GASOLIO FILTRO-POMPETTA		
45	00777800123	SENSORE TEMPERATURA ACQUA		
46	00777710007	POMPETTA MANUALE RIEMPIMENTO		
47	00777650046	FILTRO OLIO MOTORE KUBOTA		
48	00777600003	RANELLE RAME 3/8		
49	00777650047	FILTRO GASOLIO MOTORE KUBOTA		
50	95201000008	TUBO RITORNO GASOLIO		
51	95338000008	MARMITTA		
52	00111990086	GUARN. COLLETTORE MARMITTA KUBOTA		
53	00111970050	TASSELLO ANTIVIB. MOTORE 4896106		
54	95124220001	DISTANZIALE Ø25X8 L=27		
55	00111000031	VITE TE UNI 5739 M8 X65 8.8 ZNT		
56	00111000179	ROSETTA GROWER M.8 ZNT		
57	95049230001	TAPPO RADIATORE -1 BAR-		
58	95598530000	KIT COPPIA CINGHIE QUAD PAWER III XPA932		
59	00111980028	CINGHIA ALTERNATORE KUBOTA		

#	P/N	DESCRIPTION	PG-SR
60	95309110000	PARATIA VANO MOTORE COMPLETA ZNT	
61	95124190001	CAVO ACC.KUBOTA COMPLETO	
62	95124000015	REGISTRO CAVO ACCELERATORE	
63	95124000016	MOLLA RITORNO CAVO ACCELERATORE	
64	00111000184	VITE TE M5X10 ZNT	
65	95124000014	FERMO CAVO ACCELERATORE	
66	00111000035	DADO AUTOB.UNI 7474 M6 6S	
67	00111000014	VITE TSPEI M6X16 ZNT	
68	00111000166	DADO AUTOB.UNI 7473 M6 6S	
69	PZ95060000003	SUPPORTO ACCELERATORE DIESEL ZNT	
70	00111300064	VITE TE UNI 5739 M8X25 10.9 ZNT	
71	00111810034	FASCETTA INOX 32-50	
72	00111000037	ROSETTA P.6,6X18X2 ZNT UNI 6593	
73	00111810013	FASCETTA 20-32 TIPO NORMA	
74	00111810015	FASCETTA FILO D.1,5 D.I.12,6-82031-	
75	PZ95514111301	SUPPORTO PIEGATO PROTEZ. CORONA ZNT	
76	00111450003	VITE F/R M8X20 8.8 LISCIA ZNT BIAN.	
77	00111970219	VENTOLA SOFFIANTE KUBOTA D902 Ø 310	
78	95303000022	SUPPORTO RADIATORE DX ZINCATO	

www.gianniferrari.com

Advanced grounds care solutions

COMPANY
WITH QUALITY MANAGEMENT
SYSTEM CERTIFIED BY DNV
=ISO 9001 : 2000=



**Gianni
Ferrari**

GIANNI FERRARI S.r.l.

Via Vespucci ,53 (z.ind. Ranaro)
42046 Reggiolo (Reggio Emilia) Italy
Tel. +39.0522.973697 - Fax +39.0522.973707
e-mail: info@gianniferrari.com



OFFICINE BIEFFEBI S.p.A.

Via dell'Artigianato ,7
46023 Gonzaga (Mantova) Italy
Tel. +39.0376.52641 - Fax +39.0376.588270
e-mail: bieffebi@gianniferrari.com

Cod. 00555501000